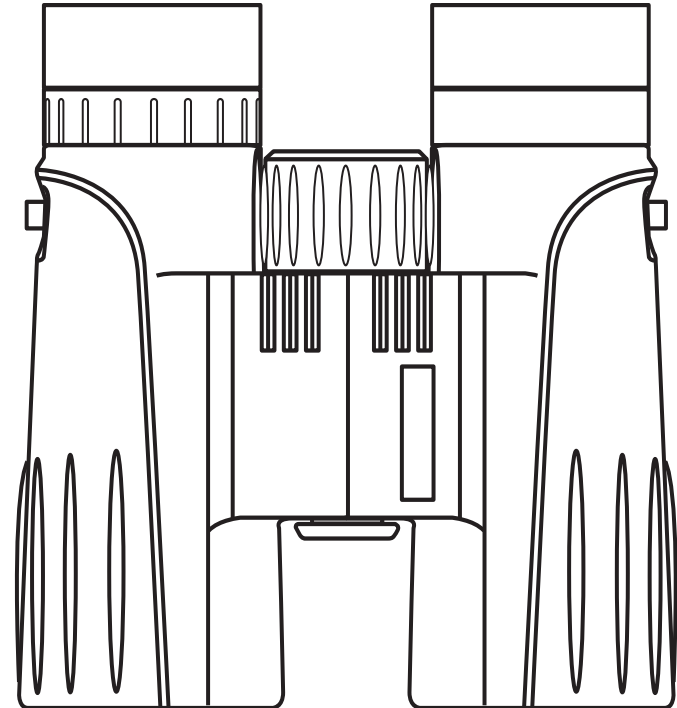


 **West Marine**<sup>®</sup>

## Maui 7X42 Binoculars

Instructions for Use



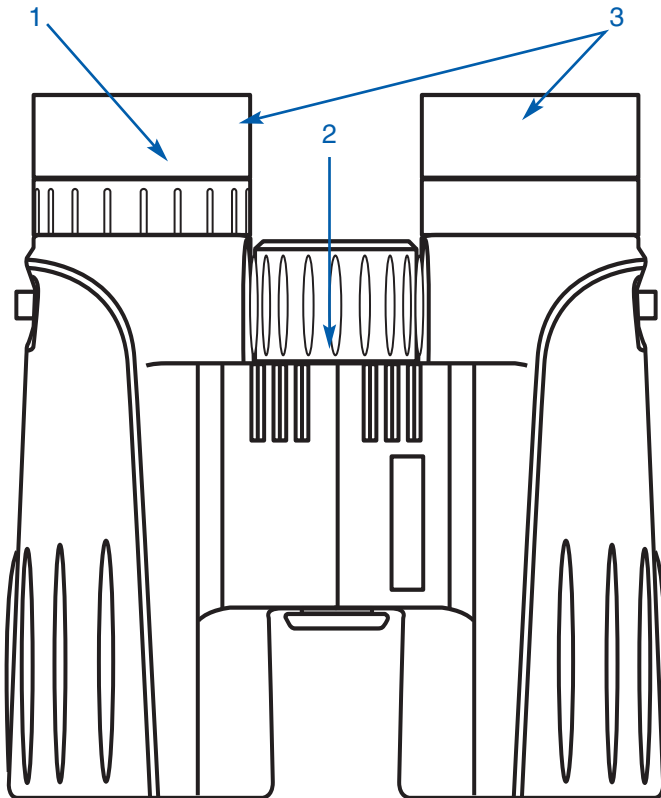
 **West Marine**<sup>®</sup>

1-800-BOATING

[www.westmarine.com](http://www.westmarine.com)

## Binocular Parts

1. Adjustable eye-piece
2. Center focus knob
3. Rubber eyecups



## A. How to Adjust Distance Between Eyepieces

For best viewing, the binoculars should be adjusted for the individual user so that the eyepieces line up with the user's eyes:

1. Hold the binoculars in a normal viewing position.
2. Grasp each barrel firmly. While looking through the binoculars, adjust the barrels until you see a single, circular view. Reset the binoculars to this position each time you use them. The eye-distance setting is indicated on the scale located on the binocular hinge.

## B. Diopter Setting and Central Focusing

1. Set the right eyepiece (1) to zero and look at a distant object.
2. Keeping both eyes open, cover the right objective (front) lens with your hand, then adjust the center focus wheel (2) until an image in the left eyepiece appears sharp.
3. Cover the left objective (front) lens with your hand, then adjust the right eyepiece until the image appears sharp again.
4. The diopter setting is now correct for your eyes, and you need only adjust the center focus to view objects at different distances. Note this diopter setting for future use.

## C. Roll-down Eyecups

To use the binoculars while wearing eyeglasses or sunglasses, roll down the eyecups (3). This will allow you to bring your eyes closer to the binoculars for an improved field of view.

## E. Instructions for Care

1. To protect the binoculars, store them in their case and keep them in a dry area.
2. Clean the lenses with a soft, lintless cloth when needed.
3. Any remaining dirt or smudges can be removed by adding a drop or two of isopropyl alcohol to the cloth.

## Very Important

It is not necessary to clean the binoculars internally. Attempting to take the binoculars apart or clean them internally will result in damage.

## Caution

Do not use this product to view the sun. Looking directly into the sun, with or without binoculars, can cause permanent eye damage.