

 West Marine®



WM7000 MARINE CD RECEIVER | MODEL 15004484

---

# *Owner's Manual*

---

## PREPARATION

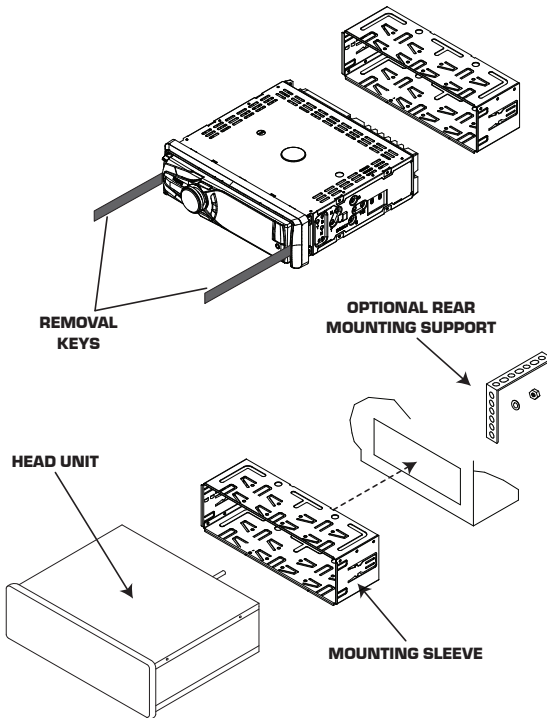
Please read entire manual before installation.

### Before You Start

- Disconnect negative battery terminal. Consult a qualified technician for instructions.
- Avoid installing the unit where it would be subject to high temperatures, such as from direct sunlight, or where it would be subject to dust, dirt or excessive vibration.

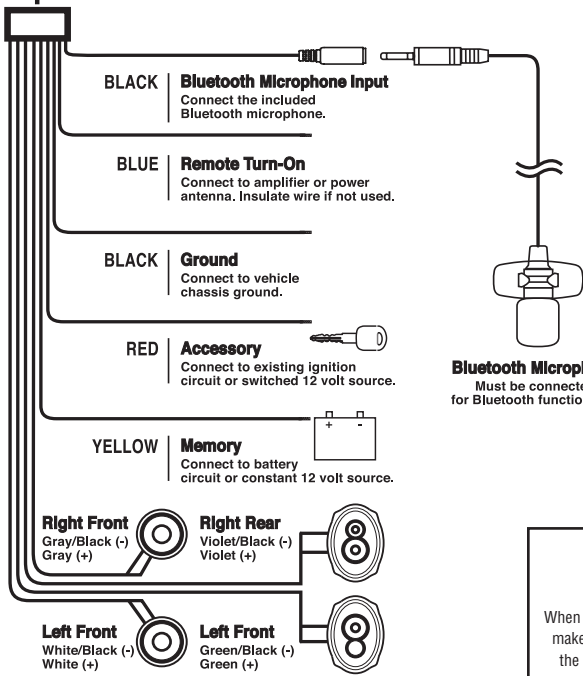
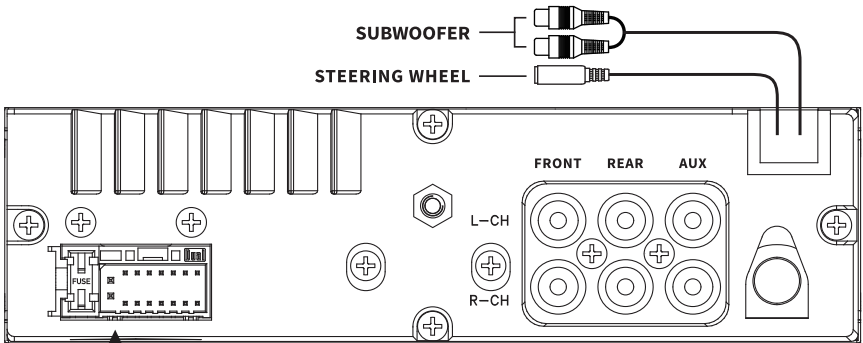
### Getting Started

- Remove trim ring from unit.
- Remove 2 transit screws located on top of the unit.
- Insert the supplied keys into the slots as shown, and slide the unit out of the mounting sleeve.
- Install mounting sleeve into opening, bending tabs to secure.
- Connect wiring harness and antenna. Consult a qualified technician if you are unsure.
- Certain vehicles may require an installation kit and/or wiring harness adapter (sold separately).
- Test for correct operation and slide into mounting sleeve to secure.
- Snap trim ring into place.



TYPICAL DIN FRONT-LOAD MOUNTING METHOD

# WIRING DIAGRAM

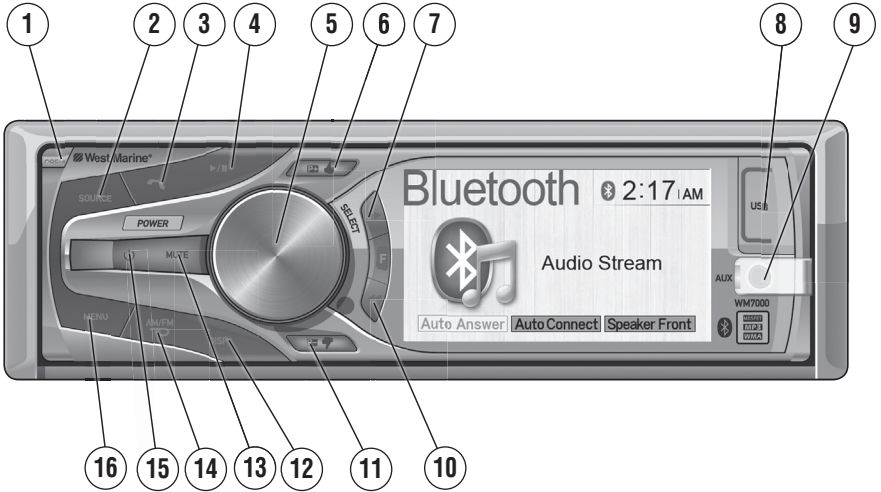


**FUSE**

When replacing the fuse, make sure new fuse is the correct type and amperage. Using an incorrect fuse could damage the radio.

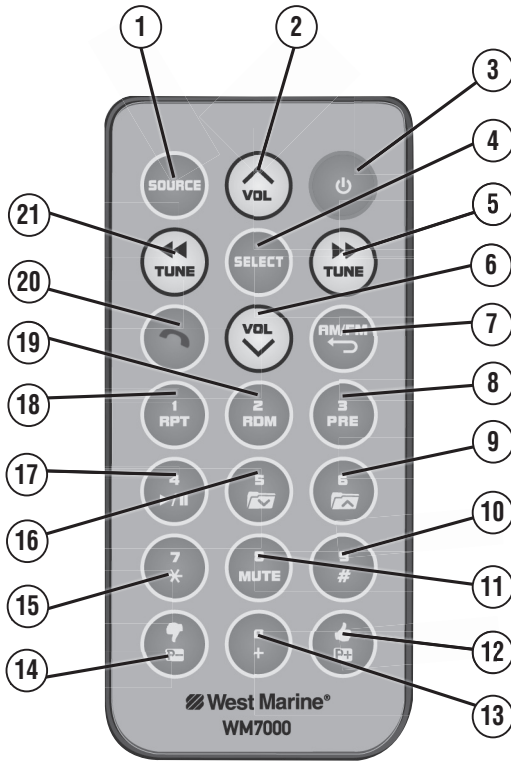
The WM7000 uses one 10 amp ATM fuse located in-line.

# CONTROL LOCATIONS — RECEIVER





- |                              |                             |
|------------------------------|-----------------------------|
| ① Open                       | ⑨ Auxiliary Input           |
| ② Source                     | ⑩ Tune / Track Down         |
| ③ Talk                       | ⑪ Preset Down / Thumbs Down |
| ④ Play/Pause                 | ⑫ Display                   |
| ⑤ Volume Knob/ Select (push) | ⑬ Mute                      |
| ⑥ Preset Up / Thumbs Up      | ⑭ AM/FM / Go Back           |
| ⑦ Tune / Track Up            | ⑮ Power                     |
| ⑧ USB Port                   | ⑯ Menu                      |

## CONTROL LOCATIONS — REMOTE



- |                     |                             |
|---------------------|-----------------------------|
| ① Source            | ⑫ Preset Up / Thumbs Up     |
| ② Volume Up         | ⑬ Key 0 / Key +             |
| ③ Power             | ⑭ Preset Down / Thumbs Down |
| ④ Select            | ⑮ Key 7 / Key *             |
| ⑤ Tune / Track Up   | ⑯ Key 5 / Folder Down       |
| ⑥ Volume Down       | ⑰ Key 4 / Play / Pause      |
| ⑦ AM/FM / Go Back   | ⑱ Key 1 / Repeat            |
| ⑧ Key 3 / Preview   | ⑲ Key 2 / Random            |
| ⑨ Key 6 / Folder Up | ⑳ Tune                      |
| ⑩ Key 9 / Key #     | ㉑ Tune / Track Down         |
| ⑪ Key 8 / Mute      |                             |

## GENERAL OPERATION

<b>Faceplate Removal</b>	Press <b>OPEN</b> to open the face plate, then pull away from the right side to remove. To re-install, insert right side of faceplate first then push left side to secure.
<b>Power On/Off</b>	Press  or any other button to turn the unit on. Press  to turn the unit off.
<b>Source</b>	Press <b>SOURCE</b> to enter the Source Menu, then press <b>SOURCE</b> or rotate the <b>volume knob</b> to select between Tuner, Disc, Aux Front, Aux Rear, USB, iPod, Bluetooth and Pandora modes. Modes of operation are shown in the display.
<b>Auxiliary Input</b>	The WM7000 offers both front and rear 3.5 mm auxiliary input ports for connecting an audio device, MP3 player, etc. Press <b>SOURCE</b> to select either the front or rear auxiliary input mode.
<b>Volume</b>	Adjust volume using volume knob (00–46).
<b>Display</b>	Press <b>DISP</b> to toggle between ID3 tag and file/folder name for MP3/WMA files being played from CDs or USB devices.
<b>Reset</b>	Press <b>RESET</b> upon initial installation or if abnormal operation occurs. Reset button is located behind the front panel.
<b>Set the Clock</b>	The unit will display the time on the LCD display. Clock settings are adjusted in the General setup menu (refer to page 8).
<b>12/24-hour Clock</b>	The clock will display 12-hour AM/PM time or 24-hour time (example: 22:00). Frequency spacing is adjusted in the General setup menu (refer to page 8).

## GENERAL OPERATION — AUDIO SETUP MENU

- Audio Setup Menu** | Press **MENU** to toggle through and select one of the following setup menus: Audio, General, Gain and Screen.
- step 1** | Once the desired menu is displayed, rotate the **volume knob** to scroll through the list of menu features.
- step 2** | Press **SELECT** to select a specific feature to adjust, then rotate the **volume knob** left/right to adjust or activate the desired feature.
- step 3** | Press **SELECT** to confirm and save the changes.

Menu Function	Options
<b>Equalization Curves</b>	Rotate the <b>volume knob</b> to cycle through the following equalization curves: Flat, Pop, Jazz, Classic, Beat, Rock and User. Any manual adjustment to the Bass or Treble settings are automatically saved as User.
<b>Bass Level</b>	Rotate the <b>volume knob</b> to adjust the bass level setting (-6 minimum / +6 maximum).
<b>Bass Frequency</b>	Rotate the <b>volume knob</b> to select one of the following bass frequency settings: 60 Hz, 80 Hz, 100 Hz or 200 Hz.
<b>Middle Level</b>	Rotate the <b>volume knob</b> to adjust the middle level setting (-6 minimum / +6 maximum).
<b>Middle Frequency</b>	Rotate the <b>volume knob</b> to select one of the following middle frequency settings: 500 Hz, 1 kHz, 1.5 kHz or 2.5 kHz.
<b>Treble Level</b>	Rotate the <b>volume knob</b> to adjust the treble level setting (-6 minimum / +6 maximum).
<b>Treble Frequency</b>	Rotate the <b>volume knob</b> to select one of the following treble frequency settings: 10 KHz, 12.5 KHz, 15 KHz or 17.5 KHz.
<b>Balance</b>	Rotate the <b>volume knob</b> to adjust the balance setting. (12-L to 12-R; 0 represents equal balance).
<b>Fader</b>	Rotate the <b>volume knob</b> to adjust the fader setting. (12-F to 12-R; 0 represents equal balance)
<b>Subwoofer</b>	Rotate the <b>volume knob</b> to turn subwoofer output ON or OFF.
<b>Subwoofer Level</b>	Rotate the <b>volume knob</b> to adjust subwoofer level between 0 and 12.
<b>Subwoofer Frequency</b>	Rotate the <b>volume knob</b> to select one of the following subwoofer center frequency settings: OFF, 80 Hz, 120 Hz and 160 Hz. "OFF" represents a full range subwoofer output.

## GENERAL OPERATION — GENERAL SETUP MENU

Menu Function	Options	Action
Tuner Frequency Spacing	USA	Programs the unit to USA tuner spacing. (200kHz for FM and 10kHz for AM).
	S-AMERICA	Programs the unit to South American tuner spacing. (100kHz for FM and 10kHz for AM).
	EUROPE	Programs the unit to European tuner spacing. (50kHz for FM and 9kHz for AM).
Auto Station Store	AUTO STORE	Press <b>SELECT</b> to seek and save 6 strong stations in the current band.
Local/Distance Tuning	OFF	Activates distance tuning.
	ON	Activates local tuning for strong station reception only.
Set the Clock	CLOCK	Rotate the <b>volume knob</b> to adjust the hours, then press <b>SELECT</b> to confirm. Repeat to adjust the minutes, and repeat again to adjust AM/PM setting.
Clock Mode	12 HOUR	Programs the unit to display 12-hour AM/PM time (example: 10:00 PM)
	24 HOUR	Programs the unit to display 24-hour time (example: 22:00)
Scrolling Option	OFF	Programs the unit to not scroll any information on the display.
	ONCE	Programs the unit to only scroll information once.
	15SEC	Programs unit to scroll information once every 15 seconds (default).
	ON	Programs unit to scroll information continuously.
iPod Control	FULL	Programs the head unit to advanced control of the iPod/iPhone device.
	MANUAL	Programs the head unit to manual control of the iPod/iPhone device and allows music to be controlled from the iPod/iPhone device.
Beep Confirmation	OFF	Disables the confirmation beep.
	ON	Enables the confirmation beep.
Programmable Turn On Volume	VARIABLE VALUE	Programs unit to always turn on at a specific volume (default is OFF). A volume level of 1–30 can be selected.



## GENERAL OPERATION — GAIN SETUP MENU

Menu Function	Options
Tuner Gain	Rotate the <b>volume knob</b> to adjust the tuner gain. (-6 minimum / +6 maximum)
Disc Gain	Rotate the <b>volume knob</b> to adjust the gain for disc playback. (-6 minimum / +6 maximum)
Aux Front Gain	Rotate the <b>volume knob</b> to adjust the gain for the front auxiliary input. (-6 minimum / +6 maximum)
Aux Rear Gain	Rotate the <b>volume knob</b> to adjust the gain for the rear auxiliary input. (-6 minimum / +6 maximum)
Bluetooth Gain	Rotate the <b>volume knob</b> to adjust the gain for the Bluetooth A2DP Playback. (-6 minimum / +6 maximum)
USB Gain	Rotate the <b>volume knob</b> to adjust the gain for USB playback. (-6 minimum / +6 maximum)
iPod Gain	Rotate the <b>volume knob</b> to adjust the gain for iPod playback. (-6 minimum / +6 maximum)
Pandora Gain	Rotate the <b>volume knob</b> to adjust the gain for Pandora playback. (-6 minimum / +6 maximum)

## GENERAL OPERATION — SCREEN SETUP MENU

Menu Function	Options
Color	Rotate the <b>volume knob</b> to adjust the color settings of the display screen from 0 to 50.
Contrast	Rotate the <b>volume knob</b> to adjust the contrast settings of the display screen from 0 to 50.
Brightness	Rotate the <b>volume knob</b> to adjust the brightness settings of the display screen from 0 to 50.
Demo	Rotate the <b>volume knob</b> to to enable (ON) or disable (OFF) the demonstration mode.

## AM/FM TUNER OPERATION

<b>Manual Tuning</b>	Press <b>TUNE</b> ◀◀ or <b>TUNE</b> ▶▶ momentarily to change radio frequency up or down one step at a time. Press and hold to advance quickly.
<b>Seek Tuning</b>	Press <b>TUNE</b> ◀◀ or <b>TUNE</b> ▶▶ for more than two seconds (then release) to automatically seek and tune to the next strong station.
<b>Band</b>	Press <b>BAND</b> to select between FM1, FM2, FM3, AM1 and AM2 bands.
<b>Storing Station Presets</b>	Select the desired band and station. Press the <b>(F)unction</b> button, turn the <b>volume knob</b> until the desired preset number is highlighted, then press <b>SELECT</b> to store the preset.
<b>Recalling Station Presets</b>	Press the <b>P+</b> or <b>P-</b> buttons to cycle through the 1–6 presets in the current band.

## CD OPERATION

<b>Insert CD</b>	Press <b>OPEN</b> to fold down the front panel and expose the CD slot. With the label facing up, insert a standard size CD into the CD slot. The CD will automatically begin playback.
<b>Eject CD</b>	With the front panel open, press <b>EJECT</b> to eject the CD. The unit will change to previous mode of operation. If the disc is not removed within 10 seconds, the unit will reload the disc. The unit does not have to be turned on to eject CD.
<b>Track Select</b>	Press <b>TRACK</b> ►► to skip to the beginning of the next track. Press <b>TRACK</b> ◄◄ to return to the beginning of the current track. Pressing <b>TRACK</b> ◄◄ again skips to the beginning of the previous track.
<b>Fast Forward/ Reverse</b>	Press and hold <b>TRACK</b> ►► or <b>TRACK</b> ◄◄ on the remote control to fast forward or reverse a track.
<b>Pause</b>	Press ►/   to temporarily stop CD playback. Press ►/   again to resume playback.
<b>Repeat</b>	Press <b>(F)unction</b> and choose <b>Repeat</b> to continuously repeat the selected track.
<b>Random</b>	Press <b>(F)unction</b> and choose <b>Random</b> to play all the tracks in random order.
<b>Preview</b>	Press <b>(F)unction</b> and choose <b>Preview</b> to play the first 10 seconds of each track.
<b>CD-R/CD-RW Compatibility</b>	<p>Some CD-Rs and CD-RWs may be incompatible with this unit, depending on media type and recording method. In addition, the following CDs may be incompatible with this unit:</p> <p>CDs exposed to extreme temperatures or direct sunlight for extended periods of time, CDs recorded in which a recording session failed or a re-recording was attempted and, or encrypted or copy-protected CDs which do not conform to the audio CD-DA red book recording standard.</p>

## MP3/WMA OPERATION

### Playing MP3/WMA Files

To play MP3/WMA files, insert a data CD or USB device containing MP3 WMA files. "Loading" will flash in the display. Depending on the number of files and folders, this may take several seconds.

### Displaying Information

Press **DISP** to cycle between track information and file/folder information.

\*Song title, artist name and album name will only be displayed if included with the MP3/WMA file.

When referring to MP3/WMA playback, the following terms are synonymous:

- File name and track name
- Folder name and directory name

### Repeat

Press **(F)unction** to enter the Function Menu, then rotate the **volume knob** until Repeat is highlighted. Press **SELECT**, then rotate the **volume knob** to select one of the following repeat options.

- ALL — Plays all songs on disc or device.
- TRACK — Continuously repeats selected song.
- FOLDER — Continuously repeats all songs in selected folder.

### Random

Press **(F)unction** to enter the Function Menu, then rotate the **volume knob** until Random is highlighted. Press **SELECT**, then rotate the **volume knob** to select one of the following options for random playback.

- OFF — Cancels the Random function.
- ALL — Plays all songs in random order.
- FOLDER — Plays all songs in folder in random order.

### Preview

Press **(F)unction** to enter the Function Menu, then rotate the **volume knob** until Intro is highlighted. Press **SELECT**, then rotate the **volume knob** to select one of the following options for intro playback.

- OFF — Cancels the Intro function.
- ALL — Plays first 10 seconds of each song.
- FOLDER — Plays first 10 seconds of each song in folder.

**Note:** Folder repeat, random and intro options only function on MP3/WMA discs or devices recorded with more than one folder.

## MP3/WMA OPERATION — FILE/FOLDER SEARCH

### Begin Searching

Press **SELECT** to enter the file/folder search mode. A list of all the folders from the disc or device will be displayed.

**Note:** Any files located in the root directory will be located in the folder named "ROOT".

### Choose a Song

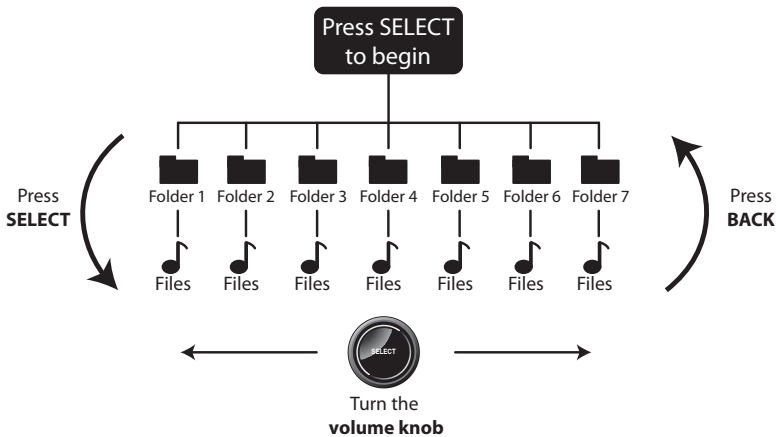
Turn the **volume knob** to cycle through all the folders on the disc or device, and press **SELECT** to choose the desired folder. The list of files in the selected folder will be displayed. Turn the **volume knob** to cycle through the list of files.

### Menu Navigation

Pressing **GO BACK** when viewing the contents of a folder will return to the list of folders on the disc or device. Press **GO BACK** again to exit the search menu.

### Playing a Song

Once the desired song is displayed, press **SELECT** to begin playback of the desired song.



## MP3/WMA OPERATION — FILE/FOLDER COMPATIBILITY AND SUPPORT — CD

Type	Specification
Compatible File Types	CD-ROM (ISO), CD-R, CD-RW CD-DA (digital audio) MP3 data (.mp3) WMA data (.wma)
Incompatible File Types	DRM protected files WMA lossless Apple lossless WMA Pro MP3 Pro MP3 playlists WAV lossless M4A/AAC data
Recording Format Compatibility	ISO9660 level 1 & level 2 Yellow book MODE 1 & MODE 2 FORM 1 Multi session
Sampling Frequency Rate Compatibility	MP3: 8kHz–48kHz WMA: 32kHz–48kHz
Transfer Bit Rate Compatibility	MP3: 32kbps–320kbps WMA: 32kbps–192kbps
Character Support	Song Title: 32 characters Artist Name: 32 characters Album Name: 32 characters File Name: 32 characters Folder Name: 32 characters
ID3 Tag Support	MP3 Tags: Version 1.0–2.4 WMA Tags
File/Folder Limit	Maximum files: 999 Maximum folders: 500 Maximum folder levels: 8

## MP3/WMA OPERATION — FILE/FOLDER COMPATIBILITY AND SUPPORT — USB

Type	Specification
Compatible File Types	MP3 data (.mp3) WMA data (.wma)
Incompatible File Types	DRM protected files WMA lossless Apple lossless WMA Pro MP3 Pro MP3 playlists M4A/AAC data WAV lossless
Sampling Frequency Rate Compatibility	MP3: 8kHz – 48kHz WMA: 32kHz – 48kHz
Transfer Bit Rate Compatibility	MP3: 32kbps – 320kbps WMA: 32kbps – 192kbps
Character Support	Song Title: 32 characters Artist Name: 32 characters Album Name: 32 characters File Name: 32 characters Folder Name: 32 characters
ID3 Tag Support	MP3 Tags: Version 1.0 – 2.4 WMA Tags
File/Folder Limit	Maximum number of files: 50000 Maximum number of folders: 500 (plus the root folder) Maximum number of files in each folder: 50000 <b>Note:</b> For devices with more than the maximum number of files/folders, some files will be ignored and may not function properly.
USB File System	FAT/FAT32 file system supported. HFS/NTFS/EXT2/EXT3 not supported.

## IPOD OPERATION

### Connect an iPod Device (Not Included)



The WM7000 features a direct USB control system for iPod. To play music from an iPod device, connect the USB cable (included with your iPod device) to the USB port on the front panel.

Once connected, "Loading" will flash in the display, then playback will begin automatically. If a song is playing on the iPod device before it is connected, it will continue to play.

### Search Mode

#### Search Menu Functions

- step 1** Press **SELECT** once to enter the search mode.
- step 2** Rotate the **volume knob** to choose between playlist, songs, artists, albums and podcasts. Press **SELECT** to select the desired search type.
- step 3** Navigate to the desired song and press **SELECT** to begin playback of that song. Use the table below for reference when navigating through the menu options.

**Note:** Press **GO BACK** to access the previous level (up one level). Pressing **GO BACK** from the search main menu will exit the search.

*See the below table for a list of the search menu navigation options.*

Search Item	Navigation
Playlist	Menu → Playlists → Songs
Songs	Menu → Songs
Artists	Menu → Artists → Albums → Songs
Albums	Menu → Albums → Songs
Podcase	Menu → Podcasts

### Full/Manual Control

The WM7000 features both full and manual control modes for iPod/iPhone devices. See page 8 for details to toggle the control between full and manual modes.

**Important:** To support manual control for iPod/iPhone, the iPod device must be updated to the newest firmware.

**Note:** Not all iPod/iPhone devices are compatible with manual control mode.



## IPOD OPERATION

<b>Song Select</b>	Press ►► to skip to the beginning of next song. Press ◀◀ to return to the beginning of current song. Pressing ◀◀ again skips to the beginning of previous song.
<b>Fast Forward and Reverse</b>	Press and hold ►► or ◀◀ to fast forward or reverse a song.
<b>Pause</b>	Press ►/   to temporarily stop playback. Press ►/   again to resume playback.
<b>Repeat</b>	Press <b>(F)unction</b> to enter the Repeat menu, then turn the <b>volume knob</b> to select one of the following options: <ul style="list-style-type: none"><li>• OFF — Repeats all tracks.</li><li>• CURRENT SONG — Repeats selected track.</li></ul>
<b>Random</b>	Press <b>(F)unction</b> to enter the Random menu, then turn the <b>volume knob</b> to select one of the following options: <ul style="list-style-type: none"><li>• OFF — Cancels the RDM function.</li><li>• ALL SONGS — Plays all tracks in random order.</li><li>• CURRENT ALBUM — Plays all tracks in the selected album in random order.</li></ul>
<b>Preview</b>	Press <b>(F)unction</b> to enter the Intro menu, then turn the <b>volume knob</b> to select one of the following options: <ul style="list-style-type: none"><li>• OFF — Cancels the INT function.</li><li>• ON — Plays first 10 seconds of each track.</li></ul>
<b>Character Support</b>	Only alphanumeric characters can be displayed (ASCII type). "NO SUPPORT" will be displayed if the file contains characters that can not be displayed. "NO FILE" will be displayed if there are no songs in the selected playlist. Maximum character display information <ul style="list-style-type: none"><li>• *Song title — 32 character maximum</li><li>• *Artist name — 32 character maximum</li><li>• *Album name — 32 character maximum</li></ul> *Song Title, Artist Name and Album name will only be displayed if included with the file.

## BLUETOOTH® OPERATION

### Pairing a Device

#### Preparation

Before you can use a Bluetooth device, it must be paired and connected. Make sure that Bluetooth is activated on your device before you begin the pairing process.


#### Pairing a New Device

The WM7000 broadcasts the pairing signal constantly when no devices are currently connected. Complete the pairing sequence from your Bluetooth device. Refer to the owner's manual for your device for more details.

**The device name is "WM7000" The Bluetooth passcode "1234"**




**Note:** The WM7000 can be in any mode of operation when pairing is performed.


#### Pairing Additional Devices

If a device is currently connected, press and hold  to disconnect the current device before a new device can be paired. Then begin the pairing sequence from the new Bluetooth device.

### Connecting a Paired Device

Most Bluetooth devices support the auto-connect feature, and will connect automatically if the device is in range when the WM7000 is powered-on. If your device was previously paired but does not connect, use these instructions below.

- If your most recently connected Bluetooth device becomes disconnected or does not reconnect, press  from Bluetooth mode to reconnect your mobile device.
- To connect a previously paired device that was not recently connected:
  - 1) If applicable, press and hold  to disconnect any connected mobile devices.
  - 2) From Bluetooth mode, press **SELECT**. "Paired Devices" will appear on the LCD.
  - 3) Turn the volume knob to cycle through the list of devices.
  - 4) Press **SELECT** or  to connect to the desired device. It must be in range to connect.





**Note:** If the Auto Connect setup menu setting is set to OFF, you must press  to connect your device after pairing, and each time the WM7000 is powered-on.

### Disconnecting a Device




Press and hold  for 3 seconds to disconnect a connected device. The device will remain paired and appear in the SEARCH menu, but not be connected.

## BLUETOOTH® OPERATION

### Making a Phone Call

- Manual Dialing** | Press  once. “Enter Phone Number” appear on the display. Using the remote control, enter the phone number using the 0–9 buttons on the remote control. Press  or **SELECT** on the remote control or front panel to begin dialing.
- Note: Placing a phone call from your cell phone will also initiate Bluetooth function.
- Recent Calls List** | Press **SELECT** from Bluetooth mode to view recent calls dialed, received or missed while connected to the head unit. Turn the **volume knob** to cycle through the recent phone numbers. Press **SELECT** or  to dial the number. *This function may not be supported by your phone.*
- Redialing the last number** | To redial the last phone number, press  two times from Bluetooth mode. Press  or **SELECT** again to redial the phone number. *This function may not be supported by your phone.*

### Receiving and Ending Phone Calls

- Receiving a Phone Call** | Incoming phone calls will automatically appear on the display and a ring tone will be heard.
- Note:** The volume of the ring tone depends on the volume level of the head unit and may not be heard if the volume is set to a low level or mute is activated.
- Press  to receive the incoming phone call.
  - Press and hold  to refuse the incoming phone call.
- Note:** If Auto Answer is set to ON in the setup menu, all phone calls will be received automatically.
- Ending a Phone Call** | During an active phone call, press  to end a phone call. If the phone call was received when listening to music in another mode, the head unit will resume the previous mode.
- Streaming Audio Operation** | The WM7000 supports A2DP (advanced audio distribution profile) wireless streaming audio from your Bluetooth mobile device directly to your head unit. You can also control your music from the front panel of the head unit using AVRCP (audio video remote control profile).
- To stream music to your head unit, your mobile device must support the A2DP and AVRCP Bluetooth profiles. Check the owner's manual of your mobile device for details.
  - Streaming audio must be enabled from your mobile device. This option

*continues...*

## BLUETOOTH® OPERATION

### Streaming Audio Operation *(continued)*

will vary depending on the device. Some devices allow streaming audio to be disabled.

After pairing, connecting and enabling streaming audio from a compatible mobile device, begin playing music using the music player on your mobile device. Once the music is playing, the following functions can be used to control the music:

- The ►► button will skip to the next available audio track.
- The ◀◀ button will skip to the previous audio track.
- The ►/|| button will toggle between play and pause during playback.
- The 📞 button will stop the audio playback.

**Note:** Some Bluetooth devices may not fully support these commands

### Bluetooth Reset

Resetting the Bluetooth module will remove the list of paired phones and delete the list of recent calls from memory.

To reset Bluetooth, perform the following steps:

- 1) Press **SOURCE** until the head unit is in Bluetooth mode.
- 2) Press and hold **MUTE** for 3 seconds to reset Bluetooth settings back to factory default.

**Compatibility Note:** Due to the differences in Bluetooth technology, some mobile devices may be incompatible, function improperly or may not support all features when used with the WM7000.

### Bluetooth Setup Menu Options

Function	Options	Action
Bluetooth	BLT00TH (ON/OFF)	Enables/disables Bluetooth functionality.
Auto Connect	AUTO CON (ON/OFF)	Set to ON to allow a Bluetooth device to connect automatically or OFF to require manual connection.
Auto Answer	AUTO ANS (OFF/ON)	When set to ON, incoming calls will all be answered after 2–3 rings. When set to OFF, the 📞 button must be pressed to answer incoming calls.
Speaker Output	BT SPRKS (FRONT/ALL)	Set to <b>FRONT</b> to direct Bluetooth output to the front speakers only. Set to <b>ALL</b> to enable Bluetooth audio to output from all 4 speakers.

## PANDORA OPERATION

<b>Requirements</b>	<p>Control for Pandora requires:</p> <ul style="list-style-type: none"><li>• An iPhone device with a reliable data connection, or an iPod touch that is connected to wireless internet.</li><li>• The Pandora App installed on the iPhone/iPod device.</li><li>• An active account with Pandora. Sign up at <a href="http://www.pandora.com">www.pandora.com</a>.</li><li>• The USB sync cable that came with your iPod/iPhone device.</li></ul>
<b>USB Connection</b>	<p>Connect an iPod touch or iPhone device (required, sold separately) to the USB port, using the USB sync cable included with your iPhone device.</p>
<b>Changing Stations</b>	<ol style="list-style-type: none"><li>1. Press <b>SELECT</b> to display the Stations Menu.</li><li>2. Rotate the <b>volume knob</b> to choose to sort channels by date or alphabetically.</li><li>3. Press <b>SELECT</b> to confirm, then turn the <b>volume knob</b> to cycle through the list of stations.</li><li>4. Press <b>SELECT</b> when the desired station is highlighted, and playback will begin.</li></ol> <p><b>Note:</b> Stations must be created on your account prior to connecting your iPod/iPhone device to the head unit.</p>
<b>Shuffle</b>	<p>Press <b>SELECT</b> to display the Stations Menu. Choose “<b>Shuffle</b>” from the stations menu to shuffle songs from all of your stations.</p>
<b>Skipping Tracks</b>	<p>Press <b>▶▶</b> to skip the current song.</p>
<b>Play/Pause</b>	<p>Press <b>▶/  </b> to temporarily stop playback. Press <b>▶/  </b> again to resume playback.</p>
<b>Thumbs Up</b>	<p>Press <b>👍</b> to tell Pandora you like the current track. Pandora will play more tracks with similar qualities.</p>
<b>Thumbs Down</b>	<p>Press <b>👎</b> to tell Pandora you do not like the current track. Pandora will not play the current track again, and will avoid playing tracks with similar qualities.</p>
<b>Device Compatibility</b>	<p>Refer to <a href="http://www.pandora.com/everywhere/mobile">www.pandora.com/everywhere/mobile</a> for devices compatible with the Pandora mobile application.</p>
<b>Data Charges</b>	<p><b>Note:</b> Pandora is an internet service, carrier and data charges may apply.</p>

## TROUBLESHOOTING

<b>Problem</b>	<b>Cause</b>	<b>Action</b>
<b>Unit will not turn on (no power)</b>	Yellow wire not connected or incorrect voltage Red wire not connected or incorrect voltage	Check connections for proper voltage (11–16VDC)
	Black wire not connected	Check connection to ground
	Fuse blown	Replace fuse
<b>Unit has power (but no sound)</b>	Speaker wires not connected	Check connections at speakers
	One or more speaker wires touching each other or touching chassis ground	Insulate all bare speaker wires from each other and chassis ground
<b>Unit blows fuses</b>	Yellow or red wire touching chassis ground	Check for pinched wire
	Speaker wires touching chassis ground	Check for pinched wire
	Incorrect fuse rating	Use fuse with correct rating
<b>Excessive skipping</b>	Unit is not mounted correctly or backstrap is not secure	Check mounting sleeve and backstrap support
	Physical defect in media (CD, CD-R or CD-RW)	Check media for scratches
<b>NO FILE appears on display</b>	Disc read error	Press <b>EJECT</b> or <b>RESET</b>
	Focus error or disc is upside down	Press <b>EJECT</b> or <b>RESET</b>
	WMA file is protected by DRM (Digital Rights Management)	Write disc using WMA files that are not protected
	No playable MP3/WMA files found on the device	Check the device for valid MP3/WMA files
	Communication error	Remove and reconnect the device
<b>Unit will not accept a disc</b>	CD mechanism position out of alignment	Press <b>EJECT</b> to reset CD mechanism position
	CD transit screws still in place	Remove 2 transit screws located on top of the unit
<b>NO SUPPORT appears on display</b>	An invalid ID3 tag version is present	Version 1.0 to 2.4 ID3 tags are supported.

## SPECIFICATIONS

<b>CD Player</b>	Frequency response: <b>20Hz – 20kHz</b> Channel separation @ 1kHz: <b>&gt;65dB</b> D/A converter: <b>1 Bit</b>
<b>FM Tuner</b>	Tuning range: <b>87.5MHz – 107.9MHz</b> Usable sensitivity: <b>8.5dBf</b> 50dB quieting sensitivity: <b>10dBf</b> Stereo separation @ 1kHz: <b>&gt;30dB</b> Frequency response: <b>30Hz – 13kHz</b>
<b>AM Tuner</b>	Tuning range: <b>530kHz – 1710kHz</b> Usable sensitivity: <b>22uV</b> Frequency response: <b>30Hz – 2.2kHz</b>
<b>General</b>	Speaker output impedance: <b>4 – 8 ohms</b> Line output voltage: <b>4 Volts RMS</b> Dimensions: <b>7" x 7" x 2" (178 x 178 x 50 mm)</b>
<b>Bluetooth® Profiles</b>	HFP (hands-free profile) A2DP (advanced audio distribution profile) AVRCP (audio video remote control profile)

*Design and specifications subject to change without notice.*



### CEA-2006 Power Standard Specifications

(reference: 14.4VDC +/- 0.2V, 20Hz – 20kHz)

Power Output: 18 Watts RMS x 4 channels at 4 ohms and < 1% THD+N  
Signal to Noise Ratio: 70dBA (reference: 1 watt into 4 ohms)

## FCC COMPLIANCE

This device complies with Part 15 of the FCC Rules. Operation is subject to the following two conditions:

- (1) this device may not cause harmful interference, and
- (2) this device must accept any interference received, including interference that may cause undesired operation.

**Warning:** Changes or modifications to this unit not expressly approved by the party responsible for compliance could void the user's authority to operate the equipment.

**Note:** This equipment has been tested and found to comply with the limits for a Class B digital device, pursuant to Part 15 of the FCC Rules. These limits are designed to provide reasonable protection against harmful interference in a residential installation. This equipment generates, uses and can radiate radio frequency energy and, if not installed and used in accordance with the instructions, may cause harmful interference to radio communications. However, there is no guarantee that interference will not occur in a particular installation. If this equipment does cause harmful interference to radio or television reception, which can be determined by turning the equipment off and on, the user is encouraged to try to correct the interference by one or more of the following measures:

- Reorient or relocate the receiving antenna.
- Increase the separation between the equipment and receiver.
- Connect the equipment into an outlet on a circuit different from that to which the receiver is connected.
- Consult the dealer or an experienced radio/TV technician for help.



# WEST MARINE 1 YEAR LIMITED WARRANTY

## What Does This Limited Warranty Cover?

West Marine warrants to the original retail purchaser of the West Marine product, where the purchase is made in the United States, that the product will be free from defects in materials and craftsmanship with only the limitations or exclusions set out below.

## How Long Does This Limited Warranty Last?

This limited warranty is valid for twelve (12) months from the date of the original retail purchase from West Marine within the United States (the "Limited Warranty Term").

The warranty period is not extended if we repair or replace a warranted product or any parts. West Marine reserves the right to change the availability of limited warranties, at its discretion, but any changes will not be retroactive and will only apply to subsequent purchases.

**What Does This Limited Warranty Not Cover?** This limited warranty does not cover:

- Commercial or industrial use or operation.
- Normal maintenance items or normal wear and tear.
- Problems resulting from fire or submergence in water or other liquids.
- If the product was damaged, modified or altered by you.
- If the product was used as part of any conversion kits, subassemblies, or any configurations not appropriate or contemplated for this product or its use.
- If damage or loss occurring during return shipment of the product to West Marine or its authorized service representative.
- If the product was subject to improper service, repair, installation, storage, maintenance, alteration or application.
- Problems that result from accident, neglect, abuse, misuse or issues with electrical power.
- Problems caused by accessories, parts or components added to the product that are not appropriate for this product or its use.

THIS LIMITED WARRANTY GIVES YOU SPECIFIC LEGAL RIGHTS, AND YOU MAY ALSO HAVE OTHER RIGHTS WHICH VARY FROM STATE TO STATE (OR JURISDICTION TO JURISDICTION). WEST MARINE'S RESPONSIBILITY FOR MALFUNCTIONS AND DEFECTS IN HARDWARE IS LIMITED TO REPAIR OR REPLACEMENT AS SET FORTH IN THIS WARRANTY STATEMENT. ALL EXPRESS AND IMPLIED WARRANTIES FOR THE PRODUCT INCLUDING, BUT NOT LIMITED TO, ANY IMPLIED WARRANTIES AND CONDITIONS OF MERCHANTABILITY AND FITNESS FOR A PARTICULAR PURPOSE, ARE LIMITED IN TIME TO THE LIMITED WARRANTY TERM (AS SPECIFIED ABOVE). NO WARRANTIES, WHETHER EXPRESS OR IMPLIED, WILL APPLY AFTER THE LIMITED WARRANTY TERM HAS EXPIRED. SOME STATES DO NOT ALLOW LIMITATIONS ON HOW LONG AN IMPLIED WARRANTY LASTS, SO THE ABOVE LIMITATIONS MAY NOT APPLY TO YOU.

WE DO NOT ACCEPT LIABILITY BEYOND THE REMEDIES PROVIDED FOR IN THIS LIMITED WARRANTY OR FOR CONSEQUENTIAL OR INCIDENTAL DAMAGES INCLUDING, WITHOUT LIMITATION, ANY LIABILITY FOR THIRD-PARTY CLAIMS AGAINST YOU FOR DAMAGES, FOR PRODUCTS NOT BEING AVAILABLE FOR USE, FOR PERSONAL INJURY AND/OR FOR LOST PROPERTY, DATA OR SOFTWARE. OUR LIABILITY AND THE MAXIMUM AMOUNT FOR WHICH WE ARE RESPONSIBLE WILL BE NO MORE THAN THE AMOUNT YOU PAID FOR THE PRODUCT THAT IS THE SUBJECT OF A CLAIM. SOME STATES DO NOT ALLOW THE EXCLUSION OR LIMITATION OF INCIDENTAL OR CONSEQUENTIAL DAMAGES, SO THE ABOVE LIMITATION OR EXCLUSION MAY NOT APPLY TO YOU.

## What Must I Do To Keep the Warranty in Effect?

- You must keep your receipt or other appropriate documentation as proof of the date of sale and purchase.
- You must use, install, maintain and operate the product in accordance with published specifications and the user's manual.

## What Do I Do If I Need Warranty Service?

- Before the warranty expires, please call us at 1-866-382-5476. Please also have the model number of your West Marine product available.
- When you contact us, we will issue a Return Material Authorization Number for you to include with your return. We will also provide you the address of where to ship the product.
- You must return the product to us in its original or equivalent packaging, prepay shipping charges, and insure the shipment or accept the risk if the product is lost or damaged in shipment.

## What Will West Marine Do?

If the product you return to us proves to be defective in materials or workmanship and not for the reasons which would otherwise disqualify it (as explained above), and is covered under this warranty, we will refund you your money or replace your product by shipping to you to the address you provide us in the United States (excluding Puerto Rico and U.S. possessions and territories).

**Maintenance is the Owner's Responsibility** Cleaning, polishing, lubricating, replacing filters, tuning, replacing worn parts, using your purchased product according to the user's manual, and regularly maintaining your purchased product is your responsibility.

**What if I purchased a Plus Protection Plan?** Service will be provided to you under the terms of the Plus Protection Plan contract. Please refer to that contract for details on how to obtain service.

**How State Law Relates to the Warranty** This warranty gives you specific legal rights, and you may also have other rights which vary from state to state.

# NOTES

# NOTES

Toll Free: 1-866-382-5476

[www.westmarine.com](http://www.westmarine.com)

©2013 West Marine. All rights reserved.

iPhone, iPod, iPod classic, iPod nano, and iPod touch are trademarks of Apple Inc., registered in the U.S. and other countries.

"Made for iPod" and "Made for iPhone" mean that an electronic accessory has been designed to connect specifically to iPod or iPhone, respectively, and has been certified by the developer to meet Apple performance standards. Apple is not responsible for the operation of this device or its compliance with safety and regulatory standards. Please note that the use of this accessory with iPod or iPhone may affect wireless performance.

The Bluetooth® word mark and logos are owned by the Bluetooth SIG, Inc. and any use of such marks by West Marine is under license.

Pandora, the Pandora logo, and the Pandora trade dress are trademarks of Pandora Media, Inc., used with permission.

Other trademarks and trade names are those of their respective owners.

WM\_Version 1\_DEC 2013

 **West Marine**®  
[www.westmarine.com](http://www.westmarine.com)

**MP3**

**WMA**

Works With  
**PANDORA**®

COMPACT  
**disc**  
DIGITAL AUDIO

Made for  
 **iPod**  **iPhone**

**AUX**  
Front and Rear Inputs



**Bluetooth**®

**USB**