

PLEASE CALL OR EMAIL US WITH ANY QUESTIONS!

(888) 447-7444 riggingshop@westmarine.com

Standing Rigging (Shrouds, Stays, etc)

If you would like to duplicate your existing rigging:

Bring to one of our stores or ship direct to us:

If shipping direct, to have us duplicate your existing line:

- Include your billing & shipping address
- Include brief description of what you would like done
- Email riggingshop@westmarine.com with tracking #
- Or email riggingshop@westmarine.com in shipper notifications so we can track your product
- Write "rigging" on the box

WEST MARINE RIGGING

(888) 447- 7444

West Marine, Inc.

860 Marine Dr. Suite 581

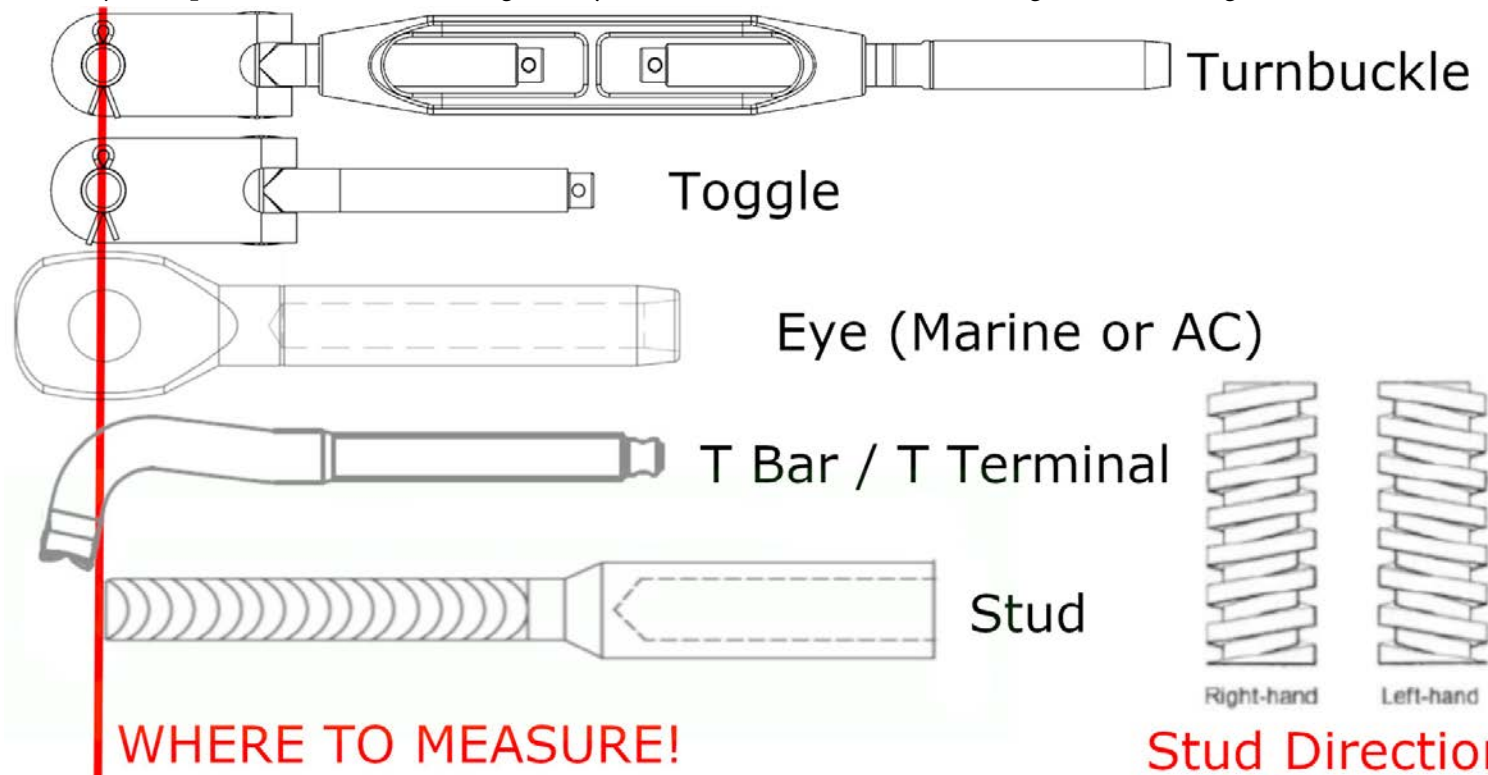
Rock Hill SC 29730

We can build it for you:

Standing Rigging: (MEASUREMENT IS VERY IMPORTANT!)

Pin Diameters -please check pin sizes for every wire/swage fitting! **Studs** – verify left or right hand threading!

Threaded Adjustments -(measure/mail in) Put tape on and label fittings that you want replaced or to mark their adjusted position before removing from your boat. Please include all fittings when mailing in.

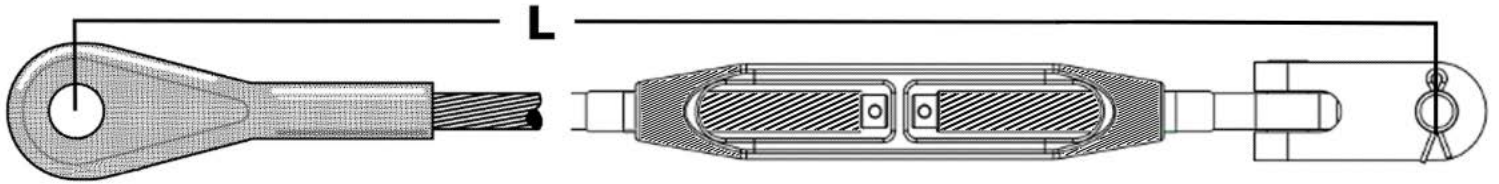




West Marine
Rigging Service

GET YOUR ORDER STARTED TODAY!
(888) 447 7444 (RIGG)

request	quote	Store Code	Customer Name	
	order			
Address		Phone	E-mail	
City		State	ZIP	Ship via



(Set 1) | L : length from measurement point to measurement point

Qty	Length	Wire Diameter	316 Stainless?	
Top Fitting		Pin Size		
Lower Fitting		Pin Size	Stud Threads	Stud Size
Other Notes				

(Set 2)

Qty	Length	Wire Diameter	316 Stainless?	
Top Fitting		Pin Size		
Lower Fitting		Pin Size	Stud Threads	Stud Size
Other Notes				

(Set 3)

Qty	Length	Wire Diameter	316 Stainless?	
Top Fitting		Pin Size		
Lower Fitting		Pin Size	Stud Threads	Stud Size
Other Notes				

(Set 4)

Qty	Length	Wire Diameter	316 Stainless?	
Top Fitting		Pin Size		
Lower Fitting		Pin Size	Stud Threads	Stud Size
Other Notes				