



**perception**<sup>®</sup>

Owner's Manual

# Thank you

**Thank you for choosing Perception. Now it's time to embark on your adventures in the most dependable kayak on the market. At Perception, our heritage of quality and innovation is built into every boat.**

**Kayaking is a fun and exciting way to experience the outdoors, or to enjoy an active means to hang out with friends and family. We hope you make the most out of the opportunities available both close to home and afar.**

**With proper care, your Perception kayak will provide years of satisfaction.**

**Most importantly, our kayaks are designed to grow with you, and with proper knowledge and training there's no limit to where you'll end up.**

## CONTENTS

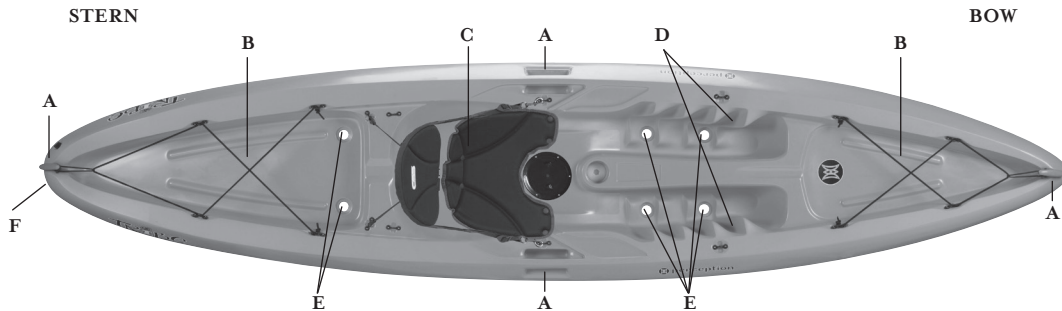
- 3 Kayak Anatomy
- 4 Outfitting & Features
- 5 Transportation
- 6 Storage
- 7 Care & Maintenance
- 8 Safety
- 9 Accessories
- 10 Warranty
- 11 Service & Support

This owner's manual and additional information is available at [perceptionkayaks.com](http://perceptionkayaks.com).

# kayak anatomy

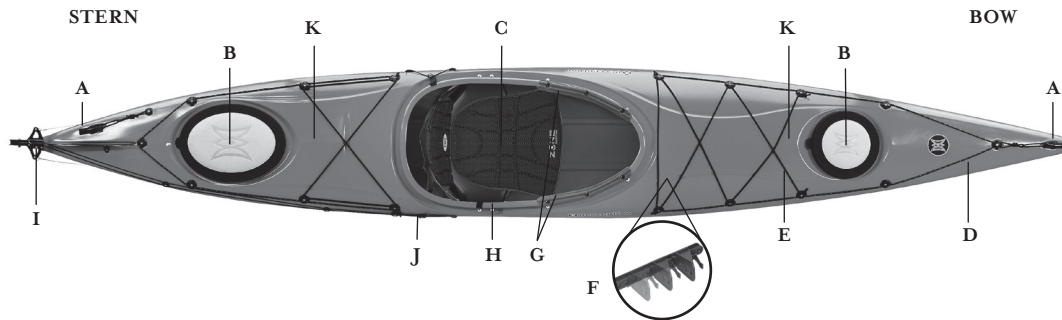
## SIT ON TOP

- A: Carry handles
- B: Tankwell with bungee
- C: Seating system
- D: Footwells
- E: Self-bailing scupper holes
- F: Skid plate



## SIT INSIDE

- A: Carry handles
- B: Cargo hatches
- C: Seating system
- D: Safety lines
- E: Bungee
- F: Foot braces
- G: Thigh braces
- H: Cockpit coaming
- I: Rudder\*
- J: Rudder liftlines\*
- K: Bulkhead\*

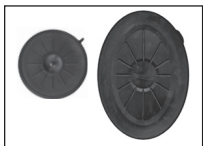


\*Not available on all models

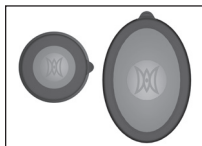
# outfitting & features

## HATCH COVERS

To remove the covers, find the tab and peel off. To replace the cover, hook it under the hatch rim and press it on firmly the entire way around.



**KAJAK SPORT  
HATCH COVERS**



**DUAL DENSITY  
HATCH COVERS**

## USING THE RUDDER SYSTEM

After market rudder systems are available. Please contact your local dealer for any questions regarding setup or installation, or visit [perceptionkayaks.com](http://perceptionkayaks.com) for video instruction. Once your rudder is installed, use the lift line (located on the right side of the boat, toward the rear of the cockpit) to drop the rudder into the water by pulling it forward.

To operate the rudder, use the footbrace pedals. To maintain a straight position, both pedals should be even with each other. To steer the kayak right, push the right pedal away from you. To steer the kayak left, push the left pedal away from you. Allow the pedal that is not in use to automatically move towards you when the other pedal is pushed.

## ZONE® DLX SEATING

The padded seatback adjusts forward and back with the strap behind the seatback. Tighten the backrest by pulling forward on the nylon strap behind the seat or loosen it by pushing on the thumb tab. For good rotation while paddling it shouldn't be too tight.

The backrest may also be raised by pulling the toggle strap at the front of the seat forward and the backrest can be lowered by pushing the chrome button down. The leg lifters located at the front part of the seat are adjusted with the two straps to the sides of the seat. Pull up to raise or push on the thumb tab to lower.

## ZONE® EXP

To adjust the backband fit, tighten or loosen the strap with the larger webbing ladderlocks found on the backside of the strap. Fine tune the height adjustment with the three smaller webbing straps.

The adjustable thigh pads found on some touring and sea kayak models are adjusted by removing the front screw and loosening the back screw. Slide the thigh pad forward or back and in and out to find a comfortable position. Replace the screws and tighten. A good position for the thigh pad is a couple of inches in front of your kneecap or where it's most comfortable.

## SIT ON TOP SEATING (SOT)

Adjust the rear nylon straps first until the seatback is in the upright position. The straps should be tight. Next adjust the front nylon straps until seatback is in a firm vertical position.

## COMFORT SEATING SYSTEM (CSS)

The lightweight EVA foam seatback adjusts by loosening the nylon straps and bringing the seatback into the upright position. Place the two hooks of the bungee cord threaded through the seat back into the two deck fitting locations behind the seating well.

Seating systems vary by model. If you need additional assistance on using the adjustment mechanisms, please visit our website at [perceptionkayaks.com](http://perceptionkayaks.com).

## KEEPERS™ FOOT BRACES

The adjustment lever is located on the backside of the footpedal. To adjust, squeeze the lever and slide the footpeg to the desired location. Release the lever to lock it in place.



## ROOF RACK

A crossbar roof rack ("sports rack"), or "J cradle" for your vehicle is the best method of transporting a kayak. It should be lashed down at each crossbar, as well as at the bow and stern to each end of the vehicle. Kayak cradles are recommended for boats being transported "flat" to lessen chances of deformation from being lashed too tightly to the bars.

Rotomolded kayakers can be transported on their edge or upside down (hull up) safely using kayak stackers. For Airalite kayakers we recommend that they be transported on their bottom using cradles to prevent deformation.

## USING FOAM BLOCK RACKS

Foam block racks can be used for transporting kayakers if extreme caution is practiced in rigging the load. They should be wide enough for adequate support. The boats must be securely attached to the top of the vehicle through the doors or windows and attached securely to both the front and back of the vehicle. If these tie down points at the front and back aren't available on your vehicle, foam block racks should NOT be used.

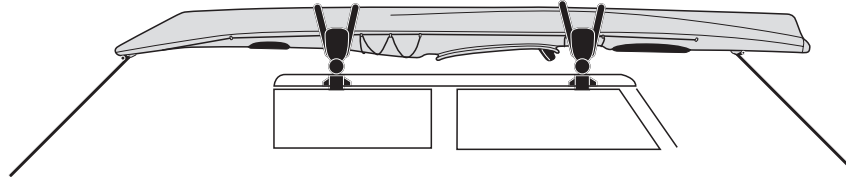
## INCLEMENT WEATHER

If traveling when inclement weather is threatening, position the kayak upside down if possible. A kayak heavy with water can become dangerous. Use a portage cover to seal the cockpit if an upside down position is not possible. Periodically check your straps to ensure they have not stretched while wet.

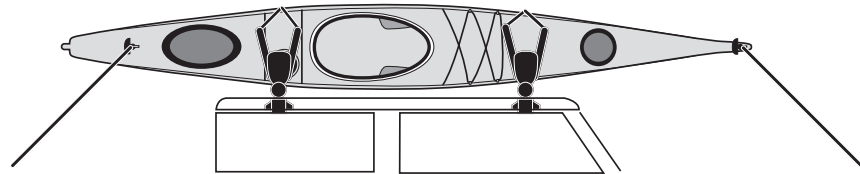
## IMPORTANT:

Always check your tie down rigging often as ropes and straps may loosen in transport.

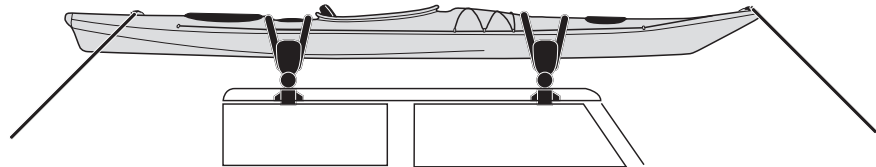
ROTOMOLDED



ROTOMOLDED



AIRALITE



# storage

## SHORT TERM STORAGE

Be sure to empty the kayak of all water. The kayak may be stored on its side or in a vertical position temporarily. Storage in these positions for an extended period of time could cause flattening or deformation in the side of the hull.

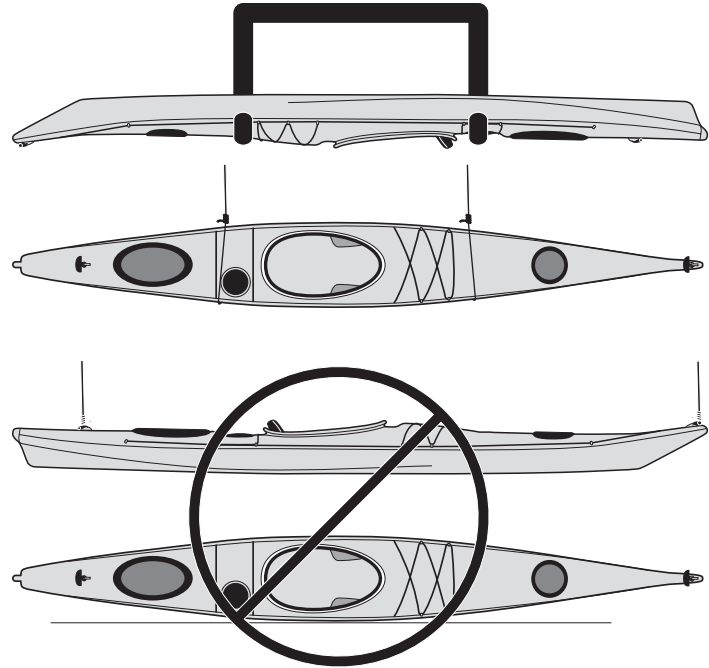
## LONG TERM STORAGE

In addition to emptying all water out, you should clean the kayak by rinsing with freshwater especially if the kayak has been used in salt water or becomes muddy. Store out of direct sunlight and indoors, if possible. UV exposure can shorten the lifespan of any kayak and can degrade its finish. Kayaks can be stored slung on their sides via web straps, positioned 1/3 of the way along the hull (as shown). Be sure to not leave straps or ropes tightly wound around the hull for extended periods of time as it may cause deformation.

Your kayak can also be stored hull up (as shown) on parallel bars with weight supported evenly throughout its length. For large cockpit (recreational) boats, position the bars so that the cockpit coaming rests on the bars. For smaller cockpit kayakers, position bars so that they contact the deck between the cockpit and any hatches.

### CAUTION:

Do not suspend your kayak by using the grab loops at either end of the boat. This can cause the hull to distort over time.



## **ROTOMOLDED KAYAK CARE**

Our “roto” kayaks are made of high-density linear polyethylene, which is virtually maintenance free. A minimal amount of care in storage and transporting will help the kayak maintain a like-new condition for many years.

Polyethylene will become more flexible when in warm conditions such as a hot, sunny day. It is possible for a kayak strapped tightly to a roof rack to temporarily deform at the weight bearing points. Use a padded rigid bar sport rack in addition to a kayak J cradle or saddles to disperse the weight.

## **CLEANING**

Usually, a quick rinse of fresh water is all that is necessary to keep your hull clean and functioning in good order. This is very important after paddling in salt water, especially if your boat is outfitted with a rudder system. Be sure to thoroughly rinse the rudder, rudder cables, and footbraces with fresh water to remove salt residue. Superficial scratches may occur, but can be removed or reduced by use of a marine boat polish designed for polyethylene hulls. Sanding or use of an abrasive rubbing compound is not recommended.

To keep your kayak shining and minimize the long-term degradation caused by UV exposure, use an ultraviolet protectant such as 303 Protectant. 303 can also be used lightly on the top of the hatches and on the seat outfitting and plastic buckles and straps, in addition to the kayak itself. 303 is available at your local Perception dealer or online at [harmonygear.com](http://harmonygear.com).

## **WARNING:**

Avoid dragging kayak across the ground to prolong its life and maintain its look and performance. Two people, utilizing the carrying handles, is the best way to transport the boat. Alternately, you can transport using a kayak cart, available at your dealer or at [harmonygear.com](http://harmonygear.com).

# safety

Any person using kayaks built and/or sold by Perception is personally responsible for determining that their abilities are equal or superior to the conditions encountered and exercising proper judgment in choice of where and when to paddle.

Any person using Perception kayaks assumes all risks and takes complete responsibility for any and all damages, or injuries, including death, which may result from use of or participation in Perception kayaks.

Consult your physician prior to beginning your paddlesport training.

## DO:

- Wear a Coast Guard approved personal flotation device (PFD).
- Wear a helmet when paddling whitewater or in the ocean.
- Get paddlesports instruction from a licensed or certified instructor.
- Dress appropriately for weather conditions; cold water and/or weather can result in hypothermia.
- Check your equipment prior to each use for signs of wear or failure.
- Scout unfamiliar waters. If necessary, paddle to shore and carry your boat past uncertain areas.
- Stay aware of appropriate river water levels, tidal changes, dangerous currents, and weather changes.
- Follow manufacturer's recommendations for use and outfitting of your kayak.
- Leave your paddling location and agenda with someone at home before departing.
- Obtain certified first aid and rescue training and carry first aid and rescue equipment.

## DON'T:

- Never exceed your ability and assess how far and how long you can paddle or swim.
- Never paddle alone.
- Never consume alcohol, drugs, or any other substance that may affect your coordination, judgment, or ability when paddling.
- Never paddle in flood conditions.
- Never allow minors to use the boat without adult supervision.
- Avoid bracing yourself in the kayak in such a way that you have to release any outfitting to escape.
- Do not impair entry or exit access to the kayak when installing additional outfitting.

## WARNING:

Kayaking can be hazardous with potential risk of serious injury and even death.



## ESSENTIALS CHECKLIST:

### PERSONAL FLOTATION DEVICE (PFD)

A USCG approved, comfortable and secure fitting PFD should be worn at all times. Shorter PFDs are available that are ideal for kayak paddling.

### PADDLE

Choosing a paddle is almost as important as your choice of boat. Blade shape, length, weight, and material all offer different experiences. On longer trips, it is strongly recommended that you have a spare paddle that can be easily stowed on your deck.

### SAFETY EQUIPMENT

USCG regulations require an audible signal device (a horn or whistle) to be used in all watercraft. In addition, it is recommended that all paddlers carry a bilge pump (to drain water from the kayak), and a paddle float. Be sure to secure training in the operation of a paddlefloat.

### PERSONAL GEAR

There are many items that you may wish to take with you on a paddling trip. Your location, length of journey, group size, weather, etc. will all play a part in this "essentials list."

- Drinking water
- Snacks
- Extra clothes in a drybag
- Map or chart
- First-Aid
- Matches
- Sun protection

To help you learn about the logistics of a paddling trip and correct paddling technique we strongly recommend a good beginner-level paddling course from a certified instructor.

### OTHER ACCESSORIES:

There are a wide variety of accessories designed for your kayak to enhance the performance and overall experience. Not all accessories are available for all models.

### SPRAYSKIRT

For longer trips or rougher conditions, a sprayskirt is worn by the paddler to create a watertight seal, preventing the cockpit from filling up with water.

### DRY BAG

Ultra-light and water-resistant storage for an extra level of protection and accessibility for gear.

A COMPLETE LINE OF OUR ACCESSORIES CAN BE FOUND ONLINE AT [HARMONYGEAR.COM](http://HARMONYGEAR.COM)

### ANGLER ACCESSORIES:

Angler versions are customized for each model and include all or some of the following accessories.

- Flush Mount Rod Holders
- Scotty Bait Caster Rod Holder
- Molded-In Rod Holders
- Molded-In Ruler
- Stand-Up Assist Strap
- 3.5 lb Anchor Kit
- Anchor Trolley
- Anchor Cleat

# 3-year limited warranty

## TERMS AND CONDITIONS

For the original retail purchaser (“Consumer”), Perception kayaks by Confluence Outdoor are warranted against material or manufacturing defects in the hull and deck for three (3) years from date of original purchase of the kayak.

Parts, accessories, and outfitting are warranted for a period of one (1) year against material or manufacturing defects from the date of purchase.

Perception kayaks sold as “2nd Quality” as indicated on the Manufacturer’s Statement of Origin (MSO), Confluence Outdoor provides this limited warranty for one (1) year for the hull and deck and one (1) year for parts, accessories, and outfitting.

This limited warranty is only valid with the purchase of a Perception kayak from an authorized Perception dealer. This warranty is non-transferable.

## HOW TO REGISTER YOUR BOAT

The warranty registration form should be completed online at [perceptionkayaks.com](http://perceptionkayaks.com) within 30 days of original purchase to be activated. It is suggested that you keep your sales receipt should it be required in the future for proof of purchase.

## OBTAINING WARRANTY SERVICE

If you have a problem with your kayak and you suspect that it may be due to defective materials or workmanship, contact the nearest authorized Perception kayak dealer and arrange to have the problem inspected. Consumer is responsible for delivery to, and pickup from, the closest authorized dealer.

If the authorized Perception dealer’s inspection indicates a defect that is attributable to materials or workmanship, Confluence Outdoor will repair or replace your Perception kayak free of charge at the company’s option. Proof of purchase such as a sales receipt may be required. If repairs or evaluation are required by

Perception at its manufacturing facility, the Consumer will be responsible for a \$50.00 shipping and handling fee.

If service is required in a country that is not the country of purchase, Consumer will comply with all applicable export laws and regulations and be responsible for all customs duties, value add tax (VAT), and other associated taxes and charges. For international service, the Perception Distributor may repair or exchange defective products and parts with comparable products and parts that comply with local standards.

Confluence Outdoor retains the right to satisfy warranty via repair or replacement of products or of components deemed defective. In addition, Perception reserves the right to replace original kayaks or equipment with comparable current products.

## LIMITATIONS AND EXCLUSIONS

This limited warranty does not apply to:

- Normal wear and tear and aging of product.
- Kayaks damaged by extreme weather or environmental conditions.
- Kayaks damaged while in possession of a freight carrier, a dealer, Consumer, or any party other than Perception.
- Kayaks damaged by accident, neglect, improper use or handling.
- Kayaks that have been towed by power or sail boats.
- Kayaks designated as Prototypes.
- Kayaks sold as “demos” or in “as is” condition.
- Kayaks determined to have been used for any activity other than an activity which is customary for the product.
- Kayaks that have been structurally or dimensionally altered or modified.

- Kayaks used for commercial or rental purposes.

This limited warranty excludes all other warranties, expressed or implied, including implied warranties of merchantability and fitness for a particular purpose, with regard to Perception Kayaks. Some state, country, or provincial laws do not allow the exclusion of certain implied warranties, so the above exclusion may not apply to you.

This limited warranty excludes any incidental or consequential damages or expenses resulting from any defects. Confluence Outdoor’s aggregate liability shall be limited to an amount equal to Consumer’s original purchase price paid for the defective product. Some state, country, or provincial laws do not allow the exclusion or limitation of incidental or consequential damages, so the above exclusion may not apply to you. To the extent any limitation or exclusion contained herein is contrary to any country, state, or provincial law, such limitation or exclusion shall be severable and all other terms herein shall remain in full force and effect and are valid and enforceable.

This warranty gives you specific legal rights and you may also have other rights. For Consumers who are covered by state, country or provincial consumer protection laws or regulations, the benefits from this warranty are in addition to all rights conveyed by such consumer protection laws and regulations.

### **FINDING YOUR SERIAL NUMBER**

The serial number is located near the stern (rear) of the boat, just below the line where the deck and side meet. On most boats it is engraved in an indentation on the right side of the boat.

### **NOTICE: STATE REGULATIONS**

Some states require that all kayaks be registered. To register your kayak you will need your Manufacturer's Statement of Origin (MSO). This serves as the title to your kayak and should have been provided when you took delivery. If not, check with your retailer. If it has been lost, have your dealer contact Perception and we will provide a replacement.

Note: Make sure the serial number on your MSO matches that on your hull.

### **QUESTIONS?**

Visit our Frequently Asked Questions section at [perceptionkayaks.com](http://perceptionkayaks.com) to answer these and many other commonly asked questions about our kayaks and accessories:

How do I adjust the seat?

How do I move the footbraces for solo paddling?

How do I install the rudder?

How can I get replacement parts?

What other accessories are available for my kayak?

### **IMPORTANT INFORMATION**

**Boat Model:** \_\_\_\_\_

**Serial Number:** \_\_\_\_\_

**Date of Purchase:** \_\_\_\_\_

**Dealer Name:** \_\_\_\_\_

### **SERVICE AND SUPPORT**

If you have a problem with your kayak that you believe is covered under warranty, contact the nearest authorized Perception dealer. You can find a listing of all dealers on our website.

If you have additional questions about your kayak or accessories, please visit our online support webpage at [perceptionkayaks.com](http://perceptionkayaks.com) for resources or to find information on contacting a customer service representative.

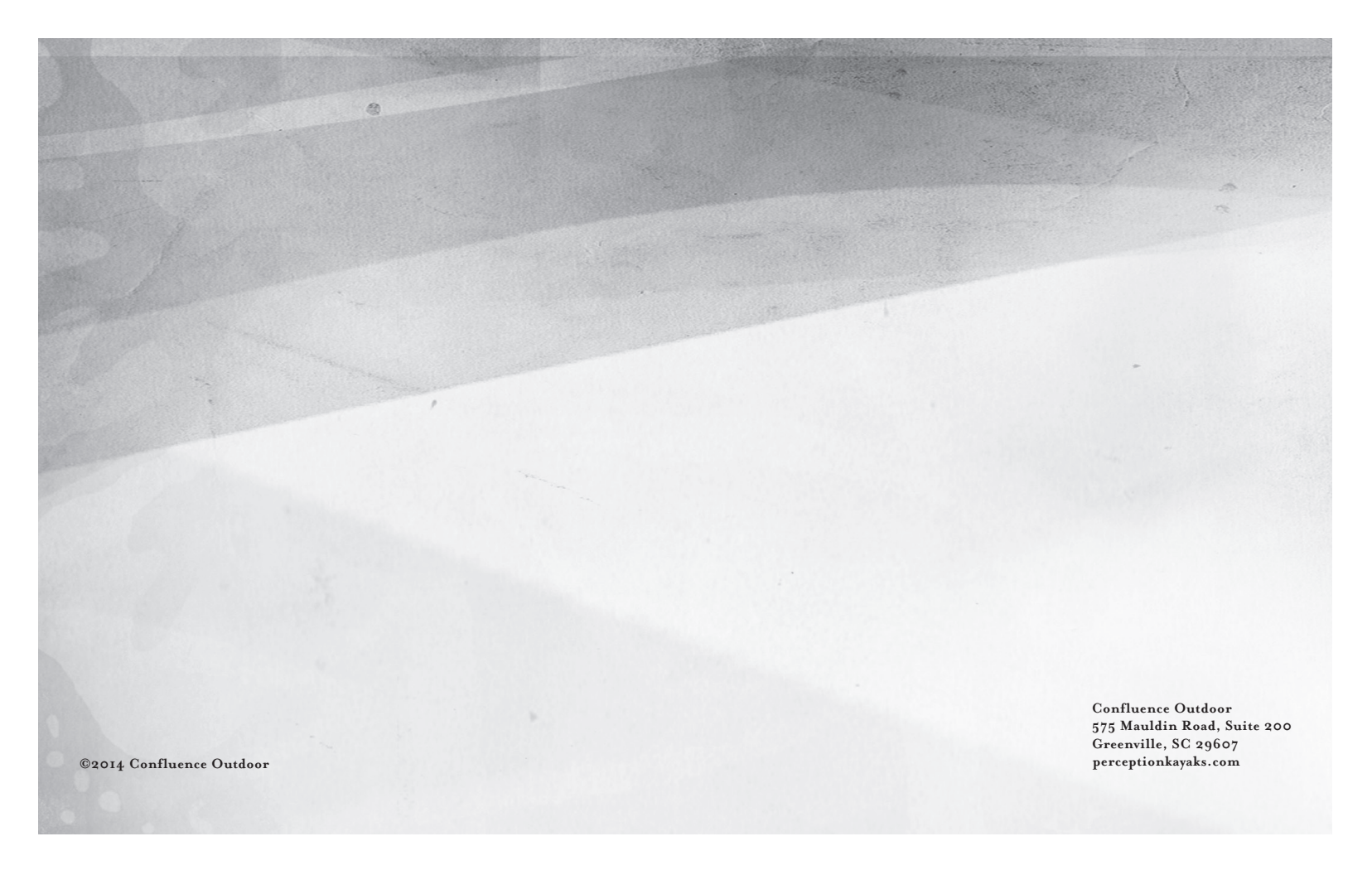
### **CONTACT US**

(p) 888-52-KAYAK (888-525-2925)

(f) 888-373-1220

Service and support hours are Monday through Friday from 9 a.m. to 5:30 p.m. EST.

All warranties and part orders need to be handled through an authorized dealer, we do not sell direct.



©2014 Confluence Outdoor

Confluence Outdoor  
575 Mauldin Road, Suite 200  
Greenville, SC 29607  
[perceptionkayaks.com](http://perceptionkayaks.com)