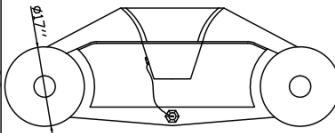
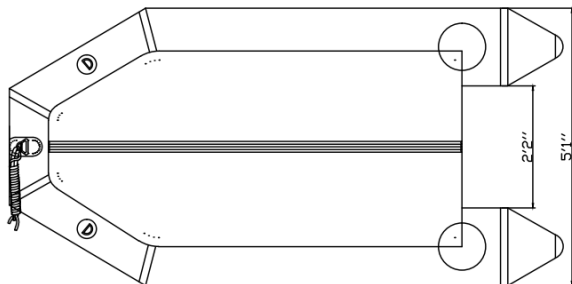
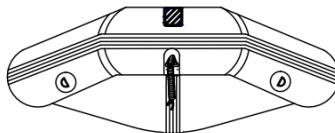
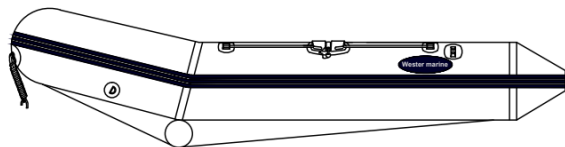
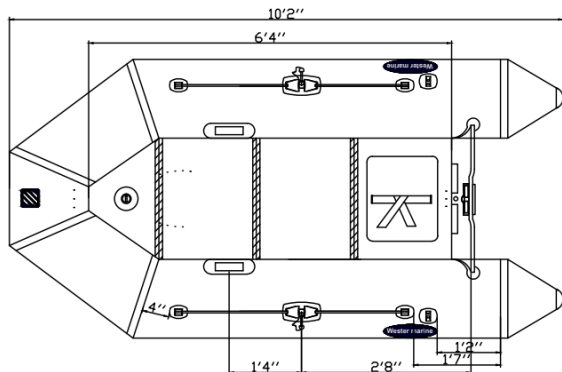


## Type: PSB-310 Performance Segmented Floor Inflatable Sport Boat



- \* Model  
PSB-310 SEGMENTED FLOOR
- \* Fabric PVC  
Tube:L/Grey(WONPOONG 0.8T)  
Bottom:D/Grey(WONPOONG 0.8T)
- \* Wooden Seat  
Size: 8"x2'10"  
Color: GREY  
Quantity:1
- \* Oar  
162cm L/GREY
- \* 6.5L Pump
- \* Carrying bag Grey
- \* Transom height  
38cm/15"  
Color:GREY