

POWER & CONTROL

SEASTAR STANDARD TRIM TAB SYSTEM

The intuitive dial controller makes this the simplest trim tab system on the market to plane your boat

FAVORITE PLANED POSITION
PUSH AND HOLD STAR BUTTON

INTUITIVE DIAL CONTROLLER
EASY USER INTERFACE

INTELLIGENT ACTUATOR SYSTEM
LED POSITION INDICATORS



Mobile living made easy.

 **DOMETIC** **OUTDOOR**

A SMART CONTROLLER THAT KEEPS YOU DIALED IN

Tactile Switches Cannot Provide The Precision That Boaters Demand

The INTUITIVE dial makes its super easy to plane your boat quickly by providing instant feedback and a superior user experience.

- The ability to adjust pitch independent of the roll and roll independent of pitch
- Turn the dial in the direction you need to change the roll of the boat so it is level
- Press the bow up or down button to adjust the pitch of the boat to get the desired position
- Favorites button makes it easy to plane your boat with previously set tab position
- 2nd station is an easy addition

Standard Dial Controller

Performance Technology
Leds Indicate Position Of Trim Tabs

Auto Brightness
Will Sense Ambient Light And Adjust Brightness

Bow Down Button
Quickly Move Port And Starboard Tabs To Desired Position

Power Indicator
Indicates There Is Power To The System
Led Will Indicate If There Is An Error

Home Button
Quickly Move Both Tabs To The Home Position

Favorite Button
Hold For 3 Seconds To Save Desired Tab Position

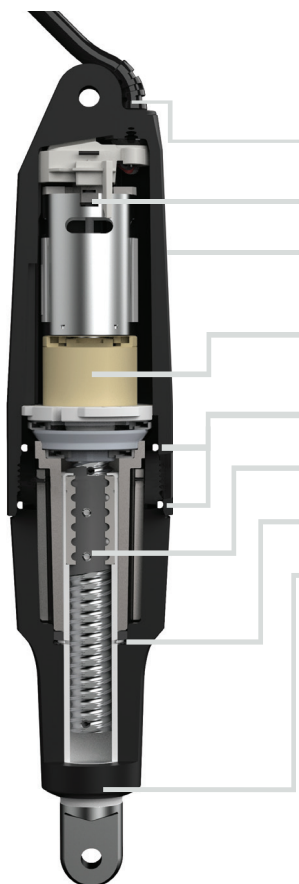
Bow Up Button
Quickly Move Port And Starboard Tabs To Desired Position

Intuitive Technology
Turn Smart Dial To Quickly Level Your Boat



ENGINEERED FOR DURABILITY

ALL ELECTRIC DESIGN REDUCES COMPLEXITY AND INCREASES RELIABILITY.



Actuator

- Sealed and potted wiring
- High torque DC motor
- Rugged & stylish housing, simple 2 piece design minimizes possible water ingress points
- Planetary gearbox provides ultra efficient and reliable high load transfer and quiet operation.
- Dual housing seals to prevent leakage
- Free wheeling ball screw technology
- Rear seal in protected bushing area
- Wiper removes particles from shaft and protects rear seal

Trim Tabs

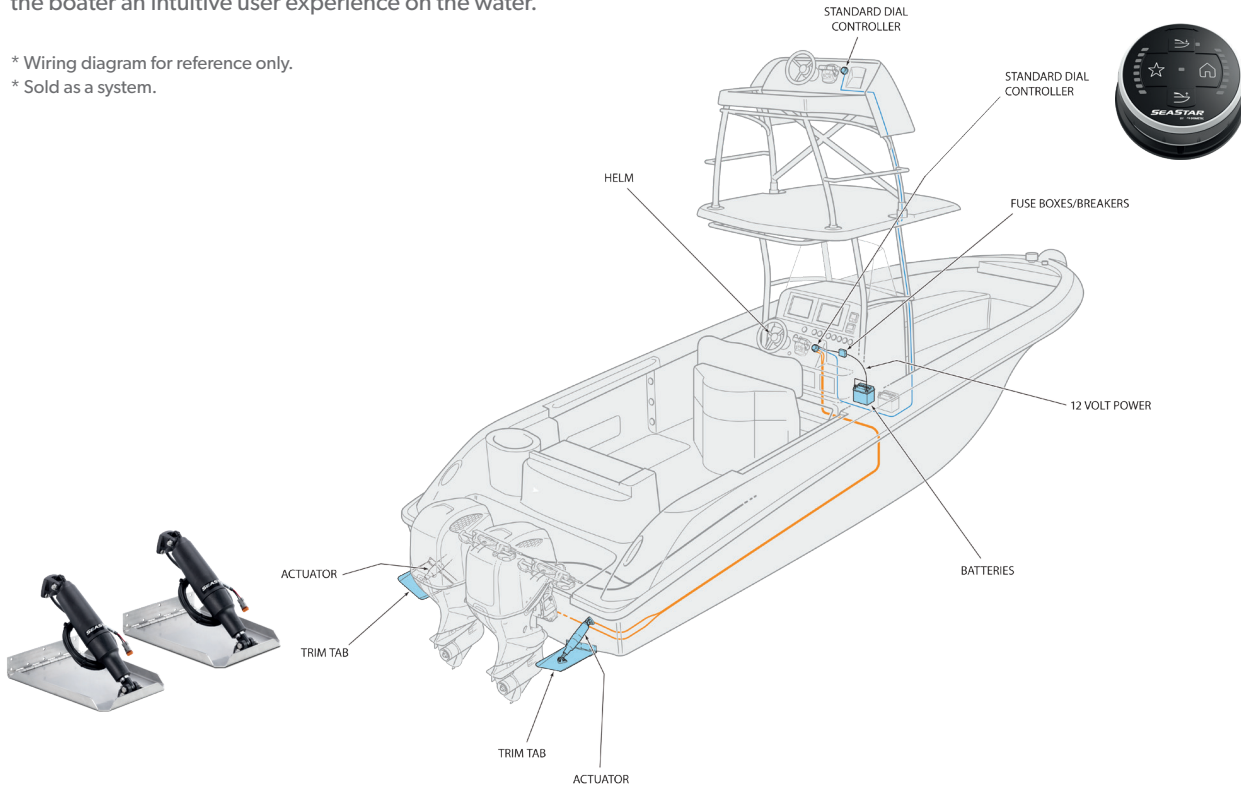


- Heavy duty 12 GA 304 stainless steel tabs, Optional electro polished
- Trim tab kits contain marine grade stainless steel 316 fasteners
- Thick 1/4" hinge pin for added strength
- Heavy duty 14 GA stainless steel hinge to ensure robust tab performance
- Custom tabs available (volume based)
- Tabs available in a variety of standard and edge mount sizes

STANDARD TRIM TAB SCHEMATIC

We've engineered our trim tabs to deliver precise control that offers the boater an intuitive user experience on the water.

- * Wiring diagram for reference only.
- * Sold as a system.



SPECIFICATIONS	SUMMARY
Stroke length	2.25" and 4.25"
Operating voltage	9-16 VDC (SAE J1455)
Maximum Push Load Capability	1000 lbf
Impact Resistance	50G in Z-axis (ABYC P-27 / IEC60068)
Operating temperature	-18 to 77 C (ISO 25197)
Storage temperature	-40 to 85 C (ISO 25197)
Actuator power consumption under typical load	5 A
Actuator water ingress protection	IP66M, IP68M, IP69K (High Pressure Wash Down)
Dial controller water ingress protection	IP56
Tab actuator connections	2pin Deutsch for power (Pos & Neg)
Dial controller connections	1x 2pin Deutsch DTP for power (Pos & Neg) 2x 2pin Deutsch DT to control two actuators 1x 4pin Deutsch DTM for wake-up and second station
Regulatory	American Boat and Yacht Council (ABYC) European Union (EU) recreational craft directive 2013/53/EU (replacing 94/25/EC) CE,
Trim tabs	304 stainless steel, 12 gauge, electro-polished available, and custom sizes/designs available (based on volume)
Note: Subject to change	