

attwood®

12-Volt 1-Mile Bi-Color Pole Lights

5091, 5092 Installation Instructions

Attwood marine hardware, navigational lighting, bilge pumps, and other marine accessories are specified more than any other brand by America's best-known boat manufacturers as original equipment. Look to Attwood for quality replacement parts and marine accessories.

SAVE THESE INSTRUCTIONS

Form Number 69381 Rev. B

03-10

FEATURES

The new Attwood 12-Volt, 1-Mile Navigation Sidelights for boats up to 39.6 ft. (12 meters). They feature impact resistant, UV-stable polycarbonate housings. The lens completely encapsulates the bulb and socket assembly for a splash resistant seal. Meets USCG CFR 183.810, ABYC A-16 requirements, and all applicable standards as tested by Imanna Labs, 3/31/1997. 1 Nautical Mile visibility. Uses Lamp 9235, #906 13V, 6 Candle Power.

REQUIRED FOR INSTALLATION

- Cordless drill with 1/8" (3mm), 3/8" (10mm) and 3/4" (19mm) bits.
- Screwdriver.
- Two #8 or #10 stainless pan head screws per light.
- Non-silicone sealant.



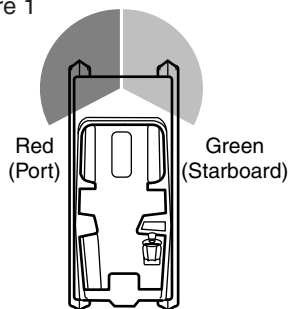
WARNING:

To prevent personal injury, always disconnect the power source when installing or servicing this product. Always remove the boat from the water before using 120V AC power tools.

LOCATION

Lights must be mounted so that the light pattern is unobstructed. Locate Bi-Color combination light in an area as far forward as possible. (Figure 1)

Figure 1



INSTALLATION Pole Light

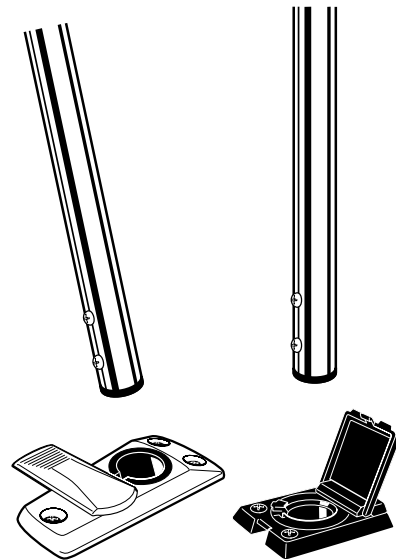
CAUTION:

All positive (+12V DC) wires must be fused to protect your circuits and vessel. The Universal Fit Light requires a 1-amp fuse. The aluminum pole of the Universal Fit Light is not connected to an electrical ground.

Replacing a Light Without a Locking Collar

1. Insert pole into base, aligning screws with slot in base.
2. Press down firmly to engage electrical connectors.
3. Lock pole in position with lock mechanism of base.
4. To remove light, unlock pole from base and pull straight up. (Figure 2)

Figure 2



Replacing a Light With a Locking Collar

1. Remove both screws from base end of pole.
2. Slide plastic locking collar supplied with Universal Fit Light up over terminal connector and past screw holes on pole.
3. Replace screw closest to base end of pole only.
4. Insert pole into base, aligning screw with slot in base.
5. Press down firmly to engage electrical connectors.
6. Slide locking collar down to base, rotate until lower ring can be inserted inside top of base.
7. Press down into base and rotate until locking collar tightens between pole and base.

NOTE:

Periodically check pole to make sure it is secure.

8. To remove light, rotate locking collar in opposite direction until it loosens, then pull up on pole. (Figure 3)

After installation, activate lights to verify proper operation. Navigation light regulations require lights to be operated with a three-position switch that provides for:

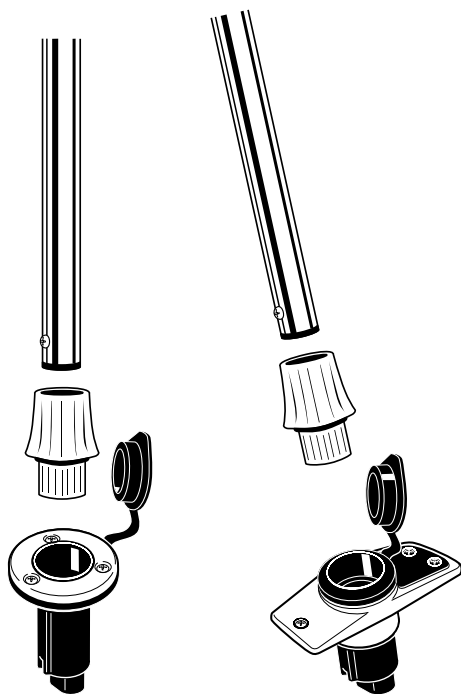
- Running lights (sidelights and all-round light).
- Anchor lights (all-round light only).
- Off.

When not in use, always store pole light in Pole Light Storage Clips (Attwood 7571). Choose a storage location where it will not be damaged or be in constant contact with water. Close the base cover when light is stowed to protect the contacts and seal the deck.

NOTE:

Navigation light poles are designed to support only the light. They should never be used as flag poles or handles.

Figure 3



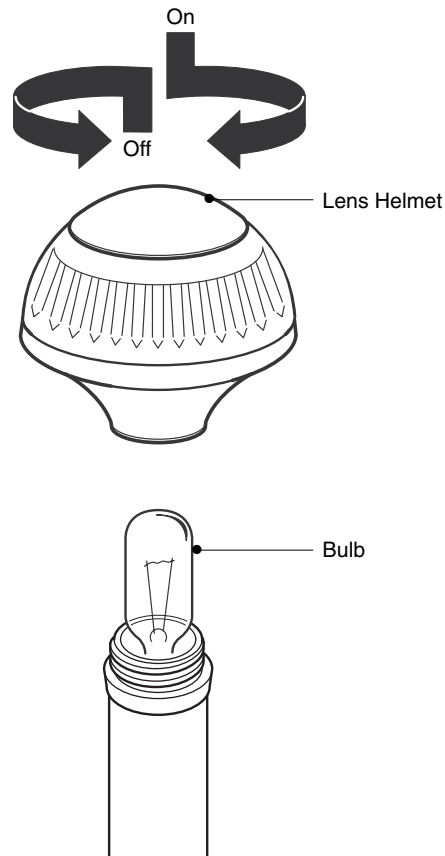
MAINTENANCE

Replacing Bulb

1. Unscrew lens helmet counter-clockwise and remove from pole.
2. Replace bulb with 9-Watt Wedge Base Replacement Bulb (Attwood 9235).
3. Screw lens helmet clockwise onto pole until it clicks. (Figure 4)

Clean the light with a mild soap and warm water solution. Never use solvents or abrasives that may damage the lens or housing of the Universal Fit Light.

Figure 4



ATTWOOD LIMITED WARRANTY

ATTWOOD CORPORATION, 1016 North Monroe, Lowell, Michigan 49331 ("Attwood") warrants to the original consumer purchaser that Attwood brand products will be free from defects in materials and workmanship under normal use and service for one year from the date of original consumer purchases.

This limited warranty is not applicable if the product has been damaged by accident, improper installation, unreasonable or improper use, lack of proper maintenance, unauthorized repairs or modifications, normal wear and tear, or other causes not arising out of defects in materials or workmanship.

Attwood products are warranted for use on pleasure boats. Any other use — including but not limited to commercial, racing, or non-marine use — are not covered under this warranty. Attwood's obligation under this warranty is limited to repair of the product at Attwood's plant or replacement of the products at Attwood's option without expense to the original consumer purchaser. Any expenses involved in the removal, reinstallation or transportation of the product are not covered by this warranty.

The product must be returned to Attwood's plant at the address above, postage prepaid, and insured with proof of original purchase including date.

If Attwood is unable to replace the product and repair is not commercially practical or cannot be timely made, or if the original consumer purchaser is willing to accept a refund in lieu of repair or replacement, Attwood may refund the purchase price, less an amount for depreciation. The acceptance by Attwood of any product returned or any refund provided by Attwood shall not be deemed an admission that the product is defective or in violation of any warranty. Products that are replaced or for which a refund is issued become the property of Attwood.

THIS WARRANTY IS ATTWOOD'S ONLY EXPRESS WARRANTY OF THIS PRODUCT. NO IMPLIED WARRANTY SHALL EXTEND BEYOND ONE (1) YEAR FROM THE DATE OF ORIGINAL CONSUMER PURCHASE. ATTWOOD SHALL NOT BE LIABLE FOR ANY DAMAGES FOR LOSS OF USE OF THIS PRODUCT, NOR FOR ANY OTHER INCIDENTAL OR CONSEQUENTIAL DAMAGES, COSTS OR EXPENSES.

Some states do not allow limitations on how long an implied warranty lasts or the exclusion or limitation of incidental or consequential damages, so the above limitations and exclusions may not apply to you. This warranty gives you specific legal rights, and you may have other rights which vary from state to state.