

# FIRMAN®

## OWNER'S MANUAL PORTABLE GENERATOR



MODEL NUMBER  
**P03607**

Rev Level:00

**IMPORTANT:** Read all safety precautions and instructions carefully before operating equipment.



Ensure engine is stopped and level before performing any maintenance or service.

Record product information to reference when ordering parts or obtaining warranty coverage.



**DO NOT RETURN TO  
STORE!**



CALL US FIRST!  
CUSTOMER HOTLINE  
1-844-347-6261

FOR QUESTIONS OR SERVICE  
INFORMATION

Serial Number: \_\_\_\_\_

Purchase Date: \_\_\_\_\_

P/N:336745456 Rev:00

# Table of Contents

<b>Introduction</b> .....	1	<b>Trouble Shooting</b> .....	23
<b>Safety Precautions</b> .....	2	<b>Parts Diagram and Parts List</b> .....	24
<b>Unpacking the Generator</b> .....	6	Generator Parts Diagram .....	24
Parts Included .....	6	Engine Parts Diagram .....	26
<b>Removal of Shipping Supports</b> .....	7	Parts List .....	27
<b>Controls and Features</b> .....	8	<b>Service Information</b> .....	28
Generator .....	8	<b>Warranty</b> .....	28
Control Panel .....	9		
<b>Specifications</b> .....	10		
Add Engine Oil .....	11		
Low Oil Shutdown .....	11		
Add Fuel .....	12		
Operation at High Altitude .....	12		
Grounding .....	13		
Connecting to a Building's Electrical System .....	13		
<b>Operation</b> .....	14		
Generator Location .....	14		
Surge Protection .....	14		
Starting the Generator .....	15		
Connecting Electrical Loads .....	16		
Stopping the Engine .....	16		
Low Oil Shutdown .....	17		
Do Not Overload Generator .....	17		
<b>Maintenance And Storage</b> .....	18		
Maintenance Schedule .....	18		
Engine Maintenance .....	19		
Change Engine Oil .....	19		
Air Filter Maintenance .....	19		
Spark Plug Maintenance .....	20		
Cleaning Fuel Strainer .....	20		
Inspect Muffler and Spark Arrester .....	20		
Generator Maintenance .....	21		
Service and Storage .....	22		

# INTRODUCTION


Thank you for purchasing a FIRMAN generator.

**This manual contains** safety information to make you aware of the hazards and risks associated with generator products and how to avoid them. This generator is designed and intended only for supplying electrical power for operating compatible electrical lighting, appliances, tools and motor loads, and is not intended for any other purpose. It is important that you read and understand these instructions thoroughly before attempting to start or operate this equipment. **Save these original instructions for future reference.**



This manual covers operation and maintenance of the FIRMAN generators. All information in this publication is based on the latest production information available at the time of approval for printing. The manufacturer reserves the right to change, alter or other wise improve the generator and this documentation at any time without prior change.

## Important Safety Information

The manufacturer cannot possibly anticipate every possible circumstance that might involve a hazard. The warnings in this manual and the tags and decals affixed to the unit are therefore not all-inclusive. If you use a procedure, work method or operating technique that the manufacturer does not specifically recommend you must satisfy yourself that it is safe for you and others. You must also make sure that the procedure work method or operating technique that you choose does not render the generator unsafe.

SAFETY INFORMATION		
 <b>DANGER</b>	 <b>WARNING</b>	 <b>CAUTION</b>
DANGER indicates a potentially hazardous situation which, if not avoided, WILL result in death or serious injury.	WARNING indicates a potentially hazardous situation which, if not avoided, could result in death or serious injury.	CAUTION indicates a potentially hazardous situation which, if not avoided, may result in minor or moderate personal injury, or property damage.
 Toxic Fumes	 Risk of Electric Shock	
 Fire Hazard	 Explosion Hazard	
 Hot Surface. Do Not Touch the Surface.	 Rotating Parts Entanglement Hazard	
 Kickback	 Operator's Manual	

## SAFETY PRECAUTIONS

⚠ DANGER	
Using a generator indoors <b>CAN KILL YOU IN MINUTES</b> . Generator exhaust contains carbon monoxide. This is a poison you cannot see or smell.	
	
NEVER use inside a home or garage, <b>EVEN IF</b> doors and windows are open.	Only use <b>OUTSIDE</b> and far away from windows, doors, and vents.
Avoid other generator hazards. <b>READ MANUAL BEFORE USE.</b>	

### ⚠ WARNING POISONOUS GAS HAZARD.



Engine exhaust contains carbon monoxide, a poisonous gas that could kill you in minutes. You **CANNOT** smell it, see it, or taste it. Even if you do not smell exhaust fumes, you could still be exposed to carbon monoxide gas.

- Operate this product **ONLY** outside far away from windows, doors and vents to reduce the risk of carbon monoxide gas from accumulating and potentially being drawn towards occupied spaces.
- Install battery-operated carbon monoxide alarms or plug-in carbon monoxide alarms with battery back-up according to the manufacturer's instructions. Smoke alarms cannot detect carbon monoxide gas.
- **DO NOT** run this product inside homes, garages, basements, crawlspaces, sheds, or other partially-enclosed spaces even if using fans or opening doors and windows for ventilation. Carbon monoxide can quickly build up in these spaces and can linger for hours, even after this product has shut off.
- **ALWAYS** place this product downwind and point the engine exhaust away from occupied spaces. If you start to feel sick, dizzy, or weak while using this product, shut it off and get to fresh air **RIGHT AWAY**. See a doctor. You may have carbon monoxide poisoning.

### ⚠ WARNING

The engine exhaust from this product contains chemicals known to the State of California to cause cancer, birth defects, or other reproductive harm.

### ⚠ WARNING

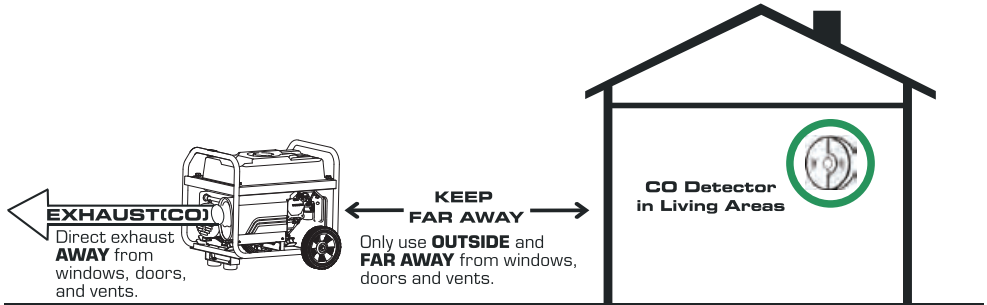
Certain components in this product and related accessories contain chemicals known to the State of California to cause cancer, birth defects or other reproductive harm. Wash hands after handling.

- If you start to feel sick, dizzy or weak while using the portable generator, you may have carbon monoxide poisoning. Get out side to fresh air immediately and call 911 for emergency medical attention. Very high levels of CO can rapidly cause victims to lose consciousness before they can rescue themselves. **DO NOT** attempt to shut off the generator before moving to fresh air. Entering an enclosed space where a generator is or has been running may put you at greater risk of CO poisoning.

## CORRECT USAGE

### Example location to reduce risk of carbon monoxide poisoning

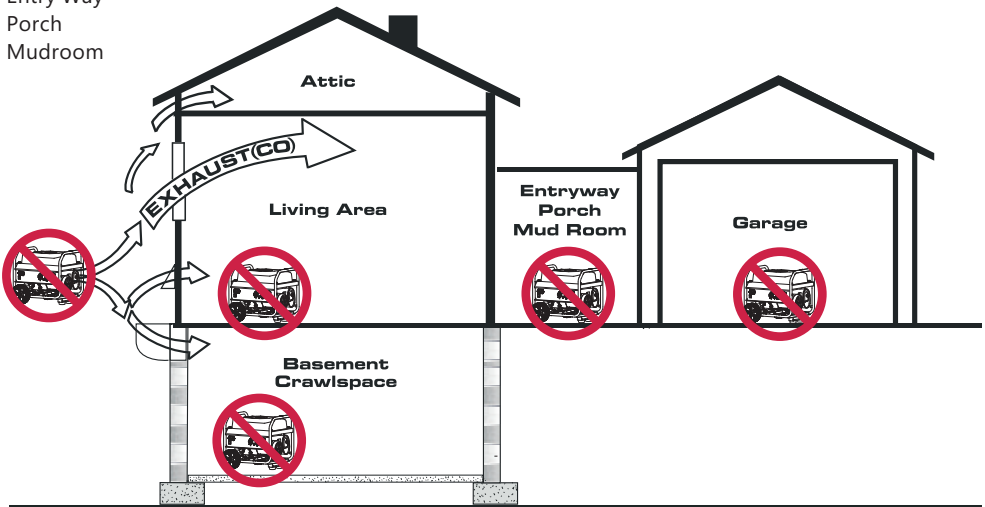
- ONLY use outside and downwind, far away from windows, doors and vents.
- Direct exhaust **AWAY** from windows, doors, and vents.



## INCORRECT USAGE

### Do not operate in any of the following locations:

- Near any door, window or vent
- Garage
- Basement
- Crawl Space
- Living Area
- Attic
- Entry Way
- Porch
- Mudroom



## **WARNING**



Starter cord kickback (rapid retraction) will pull hand and arm toward engine faster than you can let go which could cause broken bones, fractures, bruises, or sprains resulting in serious injury.

- When starting engine, pull cord slowly until resistance is felt and then pull rapidly to avoid kickback.
- **NEVER** start or stop engine with electrical devices plugged in and turned on.

## **WARNING**



Fuel and its vapors are extremely flammable and explosive which could cause burns, fire, or explosion resulting in death or serious injury and/or property damage.

## **WHEN ADDING OR DRAINING FUEL**

- Turn generator engine OFF and let it cool at least 2 minutes before removing fuel cap. Loosen cap slowly to relieve pressure in tank.
- Fill or drain fuel tank outdoors.
- **DO NOT** overfill tank. Allow space for fuel expansion.
- If fuel spills, wait until it evaporates before starting engine.
- Keep fuel away from sparks, open flames, pilot lights, heat, and other ignition sources.
- Check fuel lines, tank, cap, and fittings frequently for cracks or leaks. Replace if necessary.
- **DO NOT** light a cigarette or smoke.

## **WHEN STARTING EQUIPMENT**

- Ensure spark plug, muffler, fuel cap, and air cleaner are in place.
- **DO NOT** crank engine with spark plug removed.

## **WHEN OPERATING EQUIPMENT**

- **DO NOT** operate this product inside any building, carport, porch, mobile equipment, marine applications, or enclosure.
- **DO NOT** tip engine or equipment at angle which causes fuel to spill.
- **DO NOT** stop engine by moving choke control to "Start" position.

## **WHEN TRANSPORTING, MOVING OR REPAIRING EQUIPMENT**

- Transport/move/repair with fuel tank EMPTY or with fuel shutoff valve OFF.
- **DO NOT** tip engine or equipment at angle which causes fuel to spill.
- Disconnect spark plug wire.

## **WHEN STORING FUEL OR EQUIPMENT WITH FUEL IN TANK**

- Store away from furnaces, stoves, water heaters, clothes dryers, or other appliances that have pilot light or other ignition source because they could ignite fuel vapors.

## **WARNING**

- This generator does not meet U. S. Coast Guard Regulation 33CFR-183 and should not be used on marine applications.
- Failure to use the appropriate U. S. Coast Guard approved generator could result in death or serious injury and/or property damage.

## **WARNING**



Generator voltage could cause electrical shock or burn resulting in death or serious injury.

- Use approved transfer equipment, suitable for the intended use, to prevent backfeed by isolating generator from electric utility workers.

- When using generator for backup power, notify utility company.
- Use a ground fault circuit interrupter (GFCI) in any damp or highly conductive area, such as metal decking or steel work.
- **DO NOT** touch bare wires or receptacles.
- **DO NOT** use generator with electrical cords which are worn, frayed, bare or otherwise damaged.
- **DO NOT** operate generator in the rain or wet weather.
- **DO NOT** handle generator or electrical cords while standing in water, while barefoot, or while hands or feet are wet.
- **DO NOT** allow unqualified persons or children to operate or service generator.

### **WARNING**



Exhaust heat/gases could ignite combustibles, structures or damage fuel tank causing a fire, resulting in death or serious injury and/or property damage.

Contact with muffler area could cause burns resulting in serious injury.

- **DO NOT** touch hot parts and **AVOID** hot exhaust gases.
- Allow equipment to cool before touching.
- It is a violation of California Public Resource Code, Section 4442, to use or operate the engine on any forest-covered, brush-covered, or grass-covered land unless the exhaust system is equipped with a spark arrester, as defined in Section 4442, maintained in effective working order. Other states or federal jurisdictions may have similar laws. Contact the original equipment manufacturer, retailer, or dealer to obtain a spark arrester designed for the exhaust system installed on this engine.
- Replacement parts must be the same and installed in the same position as the original parts.

### **WARNING**



Unintentional sparking could cause fire or electric shock resulting in death or serious injury.

### **WHEN ADJUSTING OR MAKING REPAIRS TO YOUR GENERATOR**

- Disconnect the spark plug wire from the spark plug and place the wire where it cannot contact spark plug.

### **WHEN TESTING FOR ENGINE SPARK**

- Use approved spark plug tester.
- **DO NOT** check for spark with spark plug removed.

### **WARNING**



Starter and other rotating parts could entangle hands, hair, clothing, or accessories resulting in serious injury.

- **NEVER** operate generator without protective housing or covers.
- **DO NOT** wear loose clothing, jewelry or anything that could be caught in the starter or other rotating parts.
- Tie up long hair and remove jewelry.

### **CAUTION**

Excessively high operating speeds could result in minor injury. Excessively low operating speeds impose a heavy load.

- **DO NOT** tamper with governor spring, links or other parts to increase engine speed. Generator supplies correct rated frequency and voltage when running at governed speed.
- **DO NOT** modify generator in any way.

### **NOTE:**

Exceeding generators wattage/amperage capacity could damage generator and/or electrical devices connected to it.

- **DO NOT** exceed the generator's wattage amperage capacity.
- Start generator and let engine stabilize before connecting electrical loads.
- Connect electrical loads in OFF position, then turn ON for operation.
- Turn electrical loads OFF and disconnect from generator before stopping generator.

## NOTE:

Improper treatment of generator could damage it and shorten its life.

- Use generator only for intended uses.
- If you have questions about intended use, ask dealer or contact local service center.
- Operate generator only on level surfaces.
- DO NOT expose generator to excessive moisture, dust, dirt, or corrosive vapors.
- DO NOT insert any objects through cooling slots.
- If connected devices overheat, turn them off and disconnect them from generator.
- Shut off generator if:
  - Electrical output is lost.
  - Equipment sparks, smokes, or emits flames.
  - Unit vibrates excessively.

## WARNING

### Medical and Life Support Uses.

- In case of emergency, call 911 immediately.
- NEVER use this product to power life support devices or life support appliances.
- NEVER use this product to power medical devices or medical appliances.
- Inform your electricity provider immediately if you or anyone in your household depends on electrical equipment to live.
- Inform your electrical provider immediately if a loss of power would cause you or anyone in your household to experience a medical emergency.

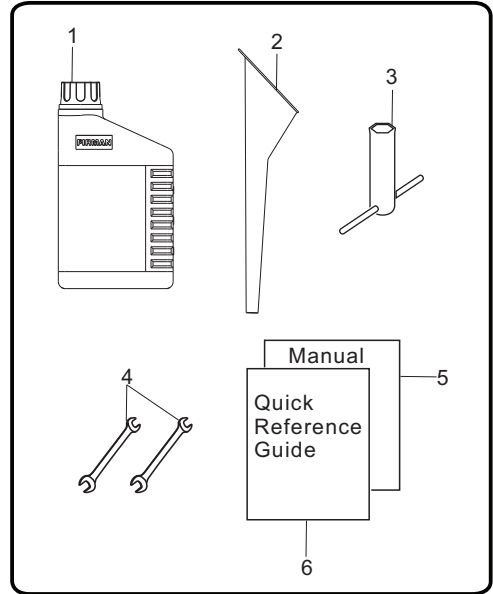
## UNPACKING THE GENERATOR

- Open carton and Remove packaging materials.
- Remove generator, accessories boxes, and literature from carton. If any items are missing or damaged, contact our product service department at 1-844-347-6261.

## Parts Included

Your gasoline powered generator ships with the following parts:

1. Engine Oil(Bottle) .....	1
2. Oil Funnel .....	1
3. Wrench for Spark plug .....	1
4. Double Open wrench (10mm & 12mm) .....	2
5. Manual .....	1
6. Quick Reference Guide .....	1



## REMOVAL OF SHIPPING SUPPORTS

Before you can run your new generator, follow these simple instructions:

**The following items must be removed before running your new generator.** In order to protect your generator these items have been added to ensure safe delivery of your new generator.

### ⚠ CAUTION

**Failure to remove these items can result in damage to your generator, possible Personal injury and void your warranty.**

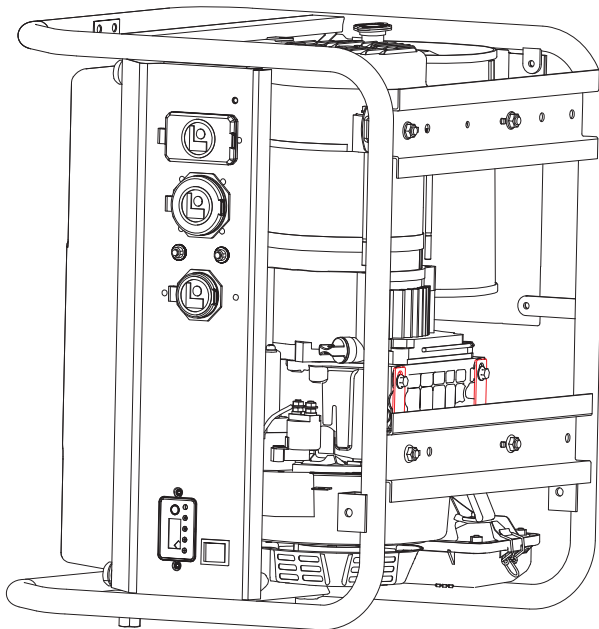
Refer to the following instructions and pictures to remove the attached engine support brackets (red) under the engine.

1. Before filling the engine oil, tip the generator back onto its recoil frame end as indicated in this picture. Place the generator on the flattened cardboard box or other protective surface.

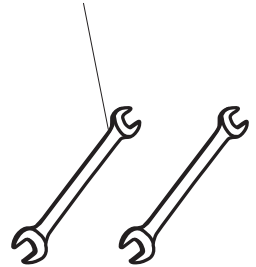
2. Remove the indicated bolts and nuts from the red engine support brackets. You may use the appropriate wrenches provided.

3. You may discard these brackets, as they are no longer required for normal operation of your generator.

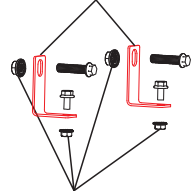
Your generator is now ready for use. Refer to your owner's manual for proper oil fill and startup instructions.



Supplied wrenches



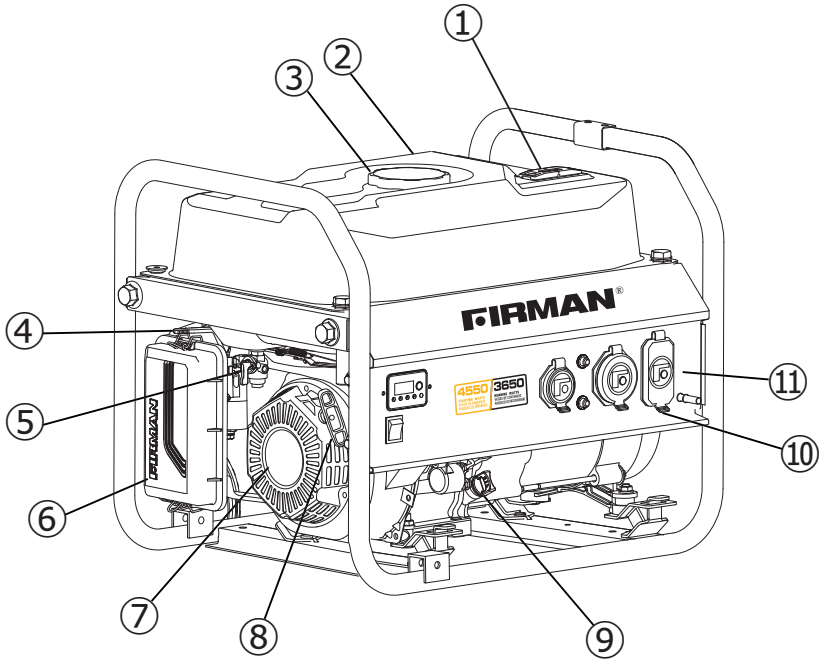
Engine Support Brackets (red color)



Remove these 4 nuts & bolts as indicated.

# CONTROLS AND FEATURES

## Generator



- 1- Fuel Gauge
- 2- 5.0 Gallon Capacity Fuel Tank
- 3- Fuel Cap
- 4- Choke Lever
- 5- Fuel Valve
- 6- Air Filter
- 7- 208cc FIRMAN OHV Engine
- 8- Recoil Starter

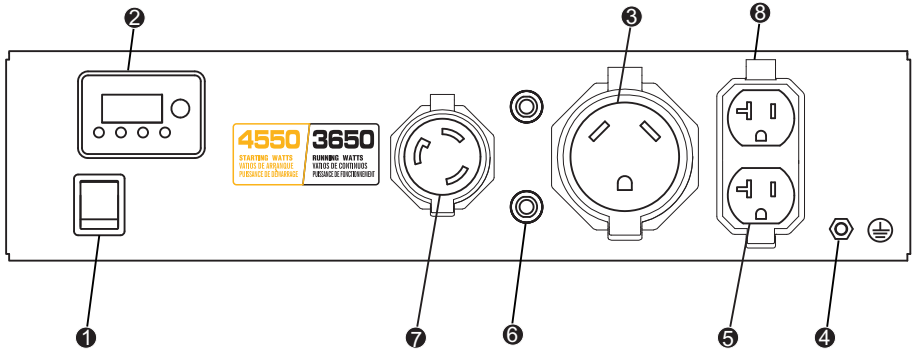
- 9- Oil Filler Cap
- 10- Outlet Cover
- 11- Control Panel

### NOTE:

This model ships from factory **without wheel kit**. To find out about wheel kit and other accessories, please visit our website [www.firmangenerators.com](http://www.firmangenerators.com) or call customer service 1-844-347-6261.

\*We are always working to improve our products. Therefore, the enclosed product may differ slightly from the image on this page.

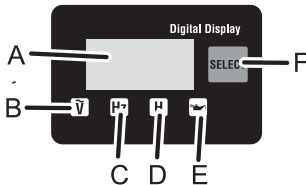
## Control Panel



### NOTE:

**Total power drawn from all receptacles must not exceed the name plate rating.**

- ① **Engine Switch** – Flip the switch to the “ON”(I) position and pull the recoil starter to start the generator. Turn to the “OFF”(O) position to turn off the generator.
- ② **4-1 Data-Minder(Multi-Meter)** – Push the SELECT button to show the Voltage, Hertz and running hours. If the low oil indicator is lit, check the oil level.



- A - Digital display
- B - AC voltage indicator
- C - Frequency indicator
- D - Hour indicator
- E - Low oil indicator
- F - Select button

- ③ **120V, 30A RV** (NEMA TT-30R)  
Maximum full load 30 Amp current may be drawn from this 120 Volt receptacle.
- ④ **Ground Terminal** – Consult an electrician for local grounding regulations.
- ⑤ **120V, 20A Duplex** – (NEMA 5-20R) 20 Amp of current may be drawn from this 120 Volt receptacle.
- ⑥ **Circuit Breakers** – The receptacles are protected by an AC circuit protector. If the generator is overloaded or an external short circuit occurs the circuit protector will trip. If this occurs, disconnect all electrical loads and try to determine the cause of the problem before attempting to use the generator again. If overloading causes the circuit protector to trip, reduce the load.  
**Note: Continuous tripping of the circuit protector may cause damage to generator or equipment.** The circuit protector may be reset by pushing the button of the protector.
- ⑦ **120V, 30A Twist-Lock** (NEMA L5-30R)  
Maximum full load 30 Amp current may be drawn from this 120 Volt receptacle.
- ⑧ **Outlet Cover** - Protect the receptacles from dust and debris.

## SPECIFICATIONS

Model	P03607
Starting Watts	4550
Running Watts	3650
Rated AC Voltage	120V
Rated Frequency	60Hz
Phase	Single
Voltage Regulator	AVR
Power Factor	1
Alternator Type	Brushed
Engine	FIRMAN
Engine Type	Single Cylinder, 4-Stroke OHV Air Cooled
Displacement	208cc
Low Oil Shutdown	Yes
Ignition System	Breakless Ignition Type, Flywheel Magneto
Starting System	Recoil
Fuel	Unleaded Automotive Gasoline
Capacity Fuel Tank	5.0 Gallon
Lubricating Oil Capacity	20.3 oz(0.6L)
Carburetor Type	Float
Air Cleaner	Polyurethane Type
P.T.O. Shaft Rotation	Counter Clockwise (Facing P.T.O.)
Oil Type	See "Add Engine Oil" Section
Spark Plug	TORCH F6RTC/NGK BPR6ES/CHAMPION RN9YC

### AN IMPORTANT MESSAGE ABOUT TEMPERATURE:

Your Firman Power Equipment product is designed and rated for continuous operation at ambient temperatures up to 40°C (104°F). When your product is needed, your product may be operated at temperatures ranging from -15°C (5°F) to 50°C (122°F) for short periods. If the product is exposed to temperatures outside this range during storage, it should be brought back within this range before operation. In any event, the product must always be operated outdoors, in a well-ventilated area and away from doors, windows and other vents.

- When operated above 77°F(25°C) there may be a decrease in power.
- Maximum wattage and current are subject to and limited by such factors as fuel BTU content ambient temperature, altitude, engine condition and etc. Maximum power decreases about 3.5% for each 1,000 feet above sea level; and will also decrease about 1% for each 10°F(-12.2°C) above 60°F(16°C) ambient temperature.

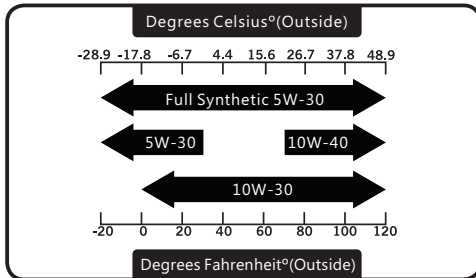
## Add Engine Oil

### **CAUTION**

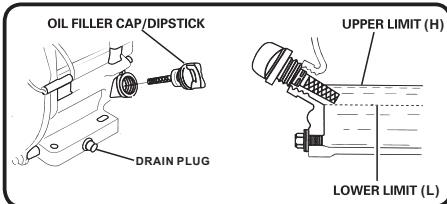
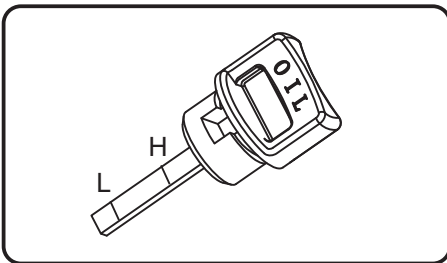
DO NOT attempt to crank or start the engine before it has been properly filled with the recommended type and amount of oil. Damage to the generator as a result of failure to follow these instructions will void your warranty.

### **NOTE:**

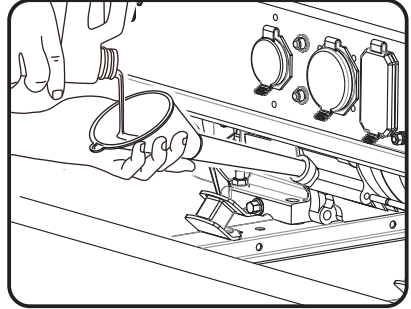
The recommended oil type is 10W-30 automotive oil. However outdoor temperatures will determine the space proper oil viscosity for the engine. Use the chart to select the best for the outdoor temperature range expected.



1. Place generator on a flat, level surface.
2. Clean area around oil fill and remove yellow oil fill cap/dipstick.
3. Wipe dipstick clean.



4. Using oil funnel, slowly pour contents of provided oil bottle into oil fill opening to the "H" mark on dipstick. Be careful do not overfill. Overfilling with oil could cause the engine to not start or hard starting.



5. Replace oil fill cap/dipstick and fully tighten.
6. Oil level should be checked prior to each use or at least every 8 hours of operation. Keep oil level maintained.

### **CAUTION**

The engine is equipped with a low oil shut-off and will stop when the oil level in the crankcase falls below the threshold level.

### **NOTE:**

We consider the first 5 hours of run time to be the break-in period for the unit. During the break in period stay at or below 50% of the running watt rating and vary the load occasionally to allow stator windings to heat and cool. Adjusting the load will also cause engine speed to vary and help seat piston rings.

### **Low oil shutdown**

The unit is equipped with a low oil shutdown. If the oil level becomes lower than required, the sensor will activate a warning device or stop the engine.

If generator shuts off and the oil level is within specifications, check to see if generator is sitting at an angle that forces oil to shift. Place on an even surface to correct this. If engine fails to start, the oil level may not be sufficient to deactivate low oil level switch. Make sure the sump is completely full of oil.

## Add Fuel

Fuel must meet these requirements:

- Clean, fresh, unleaded gasoline.
- Use regular UNLEADED gasoline with the generator engine with a minimum 87 octane / 87 AKI (91 RON).

For high altitude use, see "Operation at High Altitude".

- Do not use gasoline with more than 10% alcohol such as E85 or ethanol.

**NOTE:** Avoid generator damage.

Failure to follow Operator's Manual for fuel recommendations voids warranty.

- DO NOT use unapproved gasoline such as E85.
- DO NOT mix oil in gasoline.
- DO NOT modify engine to run on alternate fuels.

### WARNING



Fuel and its vapors are extremely flammable and explosive which could cause burns, fire or explosion resulting in death, serious injury and/or property damage.

### WHEN ADDING FUEL

- Fill fuel tank outdoors.



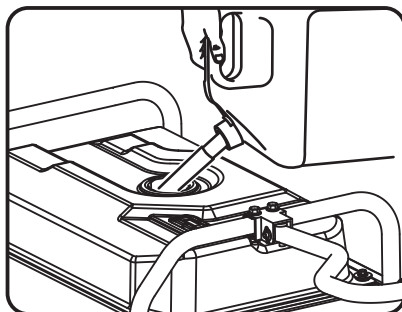
DO NOT overfill tank. Allow space for fuel expansion. If the tank is overfilled, fuel can overflow onto a hot engine and cause fire or explosion. Wipe up any spilled fuel immediately.

- If fuel spills, wait until it evaporates before starting engine.
- Keep fuel away from sparks, open flames, pilot lights, heat, and other ignition sources.
- Check fuel lines, tank, cap and fittings frequently for cracks or leaks. Replace if necessary.



DO NOT light a cigarette or smoke when filling the fuel tank.

1. Clean area around fuel fill cap, remove cap.
2. Slowly add unleaded fuel to fuel tank. Be careful not to fill above the red fuel level indicator. This allows adequate space for fuel expansion.
3. Install fuel cap and let any spilled fuel evaporate before starting engine or wipe up any spilled gasoline.



### CAUTION

- Slowly add unleaded gasoline to fuel tank.
- Do not overfill tank.
- Do not fill above the red fuel level indicator. This will all expansion in hot weather and prevent overflow.



## Operation at High Altitude

At altitudes over 5,000 feet (1524 meters), a minimum 85 octane / 85 AKI (89 RON) gasoline is acceptable.

The density of air at high altitude is lower than at sea level. Engine power is reduced as the air mass and air-fuel ratio decrease. Engine power and generator output will be reduced approximately 3.5% for every 1000 feet of elevation above sea level. This is a natural trend and cannot be changed by adjusting the engine. At high altitudes increased exhaust emissions can also result due to the increased enrichment of the air fuel ratio.

Other high altitude issues can include hard starting, increased fuel consumption and spark plug fouling. To alleviate high altitude issues other than the natural power loss, **FIRMAN** can provide a high altitude carburetor main jet. The alternative

main jet and installation instructions can be obtained by contacting Customer Support. Installation instructions are also available in the Technical Bulletin area of the FIRMAN internet site. The part number and recommended minimum altitude for the application of the high altitude carburetor main jet is listed in the table below.

	208cc	Altitude
Altitude main jet 1	335717002	3000-6000Feet
Altitude main jet 2	335717003	6000-8000Feet

### WARNING

Operation using the alternative main jet at elevations lower than the recommended minimum altitude can damage the engine. For operation at lower elevations, the standard main jet must be used. Operating the engine with the wrong engine configuration at a given altitude may increase its emissions and decrease fuel efficiency and performance.

### Grounding

The National Electric Code requires your generator must be properly connected to an appropriate ground to help prevent electric shock.

### WARNING



Failure to properly ground the generator can result in electric shock.

A ground terminal connected to the frame of the generator has been provided on the control panel. For remote grounding, connect of a length of heavy gauge (12 AWG minimum) copper wire between the generator ground terminal and a copper rod driven into the ground. We strongly recommend that you consult with a qualified electrician to ensure compliance with local electrical codes.

THERE IS A PERMANENT CONDUCTOR BETWEEN THE GENERATOR (STATOR WINDING) AND THE FRAME.

## Connecting to a Building's Electrical System

Connections for standby power to a building's electrical system must be made by a qualified electrician. The connection must isolate the generator power from utility power or other alternative power sources and must comply with all applicable laws and electrical codes.

### WARNING



Generator voltage could cause electrical shock or burn resulting in death or serious injury.

- Use approved transfer equipment to prevent backfeed by isolating generator from electric utility workers.
- When using generator for backup power, notify utility company.
- Use a ground fault circuit interrupter (GFCI) in any damp or highly conductive area, such as metal decking or steel work.
- DO NOT touch bare wires or receptacles.
- DO NOT use generator with electrical cords which are worn, frayed, bare or otherwise damaged.
- DO NOT operate generator in the rain or wet weather.
- DO NOT handle generator or electrical cords while standing in water, while barefoot, or while hands or feet are wet.
- DO NOT allow unqualified persons or children to operate or service generator.

## OPERATION

### Generator Location

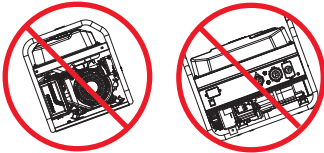
#### WARNING

Make sure you review each warning in order to prevent fire hazard.

- Keep area clear of inflammables or other hazardous materials.
- Select a site that is dry, well ventilated and protected from the weather.
- Keep exhaust pipe clear of foreign objects.
- Keep generator away from open flame.
- Keep generator on a stable and level surface.

#### CAUTION

Tilting can cause fuel spillage.



- Do not block generator air vents with paper or other material.

#### DANGER

Using a generator indoors **CAN KILL YOU IN MINUTES.**

Generator exhaust contains carbon monoxide. This is a poison you cannot see or smell.



**NEVER** use inside a home or garage, **EVEN IF** doors and windows are open.



**Only use OUTSIDE** and far away from windows, doors, and vents.

Avoid other generator hazards.  
**READ MANUAL BEFORE USE.**

#### WARNING

### POISONOUS GAS HAZARD.



Engine exhaust contains carbon monoxide, a poisonous gas that could kill you in minutes. You **CANNOT** smell it, see it, or taste it. Even if you do not smell exhaust fumes, you could still be exposed to carbon monoxide gas.

- Operate this product **ONLY** outside far away from windows, doors and vents to reduce the risk of carbon monoxide gas from accumulating and potentially being drawn towards occupied spaces.
- Install battery-operated carbon monoxide alarms or plug-in carbon monoxide alarms with battery back-up according to the manufacturer's instructions. Smoke alarms cannot detect carbon monoxide gas.
- **DO NOT** run this product inside homes, garages, basements, crawlspaces, sheds, or other partially-enclosed spaces even if using fans or opening doors and windows for ventilation. Carbon monoxide can quickly build up in these spaces and can linger for hours, even after this product has shut off.
- **ALWAYS** place this product downwind and point the engine exhaust away from occupied spaces. If you start to feel sick, dizzy, or weak while using this product, shut it off and get to fresh air **RIGHT AWAY**. See a doctor. You may have carbon monoxide poisoning.

### Surge Protection

#### CAUTION

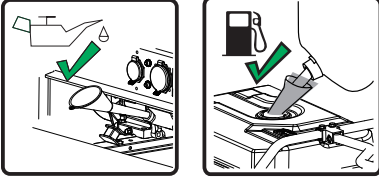
Voltage fluctuation may impair the proper functioning of sensitive electronic equipment.

Electronic devices, including computers and many programmable appliances use components that are designed to operate within a narrow voltage range and may be affected by momentary voltage fluctuations. While there is no way to prevent voltage fluctuations, you can take steps to protect sensitive electronic equipment.

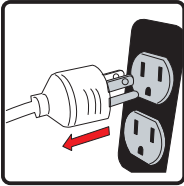
Install UL1449, CSA-listed, plug-in surge suppressors on the outlets feeding your sensitive equipment. Surge suppressors come in single- or multi-outlet styles. They're designed to protect against virtually all short-duration voltage fluctuations.

## Starting the Generator

1. Before starting the generator, check for loose or missing parts and for any damage which may have occurred during shipment.
2. Check oil level and fuel.



3. Disconnect all electrical loads from the generator. Never start or stop the generator with electrical devices plugged in or turned on.



4. Turn the fuel valve to the "ON" (I) position.



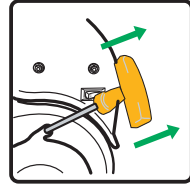
5. Flip the engine switch to the "ON" (I) position.



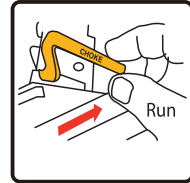
6. Move the choke lever to the "CHOKE" position.



7. Pull the starter cord slowly until resistance is felt and then pull rapidly.



8. Do not over-choke. As soon as engine starts and warms up, move the choke lever to the "RUN" position.



9. Allow generator to run at no load for few minutes upon each initial start-up to permit engine and generator to stabilize.

### WARNING



Starter cord kickback (rapid retraction) will pull hand and arm toward engine faster than you can let go which could cause broken bones, fractures, bruises, or sprains resulting in serious injury.

When starting engine, pull cord slowly until resistance is felt and then pull rapidly to avoid kickback.

### NOTE:

Keep choke lever in "CHOKE" position for only 1 pull of the recoil starter. After first pull, move choke lever to the "RUN" position for up to the next 3 pulls of the recoil starter. Too much choke leads to sparkplug fouling/engine flooding due to the lack of incoming air. This will cause the engine not to start.

### NOTE:

If engine starts after 3 pulls but fails to run, or if unit shuts down during operation, make sure unit is on a level surface and check for proper oil level in crankcase. This unit may be equipped with a low oil protection device. If so, oil must be at proper level for engine to start.

## Connecting Electrical Loads

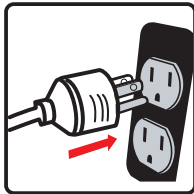
This unit has been pretested and adjusted to handle its full capacity. Before starting the generator, disconnect all load. Apply load only after generator is running. Voltage is regulated via the engine speed adjusted at the factory for correct output. Readjusting will void warranty.

### CAUTION

When applying a load, do not exceed the maximum wattage rating of the generator when using one or more receptacles. Also, do not exceed the amperage rating of any one receptacle.

Do not apply heavy electrical load during break-in period (the first five hours of operations).

1. Let engine stabilize and warm up for a few minutes after starting.
2. Ensure circuit breaker on control panel is in on position.
3. Plug in and turn on the desired 120 or 240 Volt AC, single phase, 60Hz electrical loads. It is better to attach the item with largest load first.



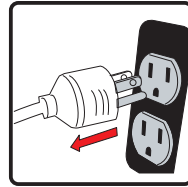
### NOTE:

Connecting a generator to your electric utility company's power lines or to another power source may be against the law. In addition this action, if done incorrectly, could damage your generator and appliances and could cause serious injury or even death to you or a utility worker who may be working on nearby power lines. If you plan to run a portable electric generator during an outage, please notify your electric utility company immediately and remember to plug your appliances directly into the generator. Do not plug the generator into any electric outlet in your home. Doing so could create a connection to the utility company power lines. You are responsible for ensuring that your generator's electricity does not feed back into the electric utility power lines. If the generator will be connected to a building

electrical system, consult your local utility company or a qualified electrician. Connections must isolate generator power from utility power and must comply with all applicable laws and codes.

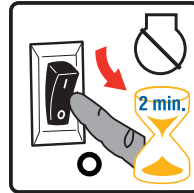
## Stopping the Engine

1. Turn off and remove entire electrical loads. Never start or stop the generator with electrical devices plugged in or turned on.



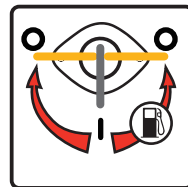
Let the generator run at no-load for two minutes to stabilize internal temperatures of the engine and generator.

2. Press the engine switch to the "OFF" (O) position.



Do not leave the generator until it has completely stopped.

3. Turn the fuel valve to the "OFF" (O) position.



If a cover is used, do not install until unit has cooled.

### WARNING



Fuel and its vapors are extremely flammable and explosive which could cause burns, fire or explosion resulting in death, serious injury and/or property damage.

---

---

DO NOT stop engine by moving choke control to "CHOKE" position.

**Important:** Always ensure that the Fuel Valve and the Engine Switch are in the "OFF" position when the engine is not in use.

**NOTE:**

If the engine will not be used for a period of two weeks or longer, please see the Storage section for proper engine and fuel storage.

### Low Oil Shutdown

If the engine oil drops below a preset level, an oil switch will stop the engine. Check oil level with dipstick.

If oil level is between LOW and HIGH mark on dipstick:

1. DO NOT try to restart the engine.
2. Contact an Authorized FIRMEN Service Dealer.
3. DO NOT operate engine until oil level is corrected.

If oil level is below LOW mark on dipstick:

1. Add oil to bring level to HIGH mark.
2. Restart engine and if the engine stops again a low oil condition may still exist. DO NOT try to restart the engine.
3. Contact an Authorized FIRMEN Service Dealer.
4. DO NOT operate engine until oil level is corrected.

### Do Not Overload Generator

Overloading a generator in excess of its rated wattage capacity can result in damage to the generator and to connected electrical devices.

To prolong the life of your generator and attached devices, follow these steps to add electrical load:

1. Start the generator with no electrical load attached.
2. Allow the engine to run for several minutes to stabilize.
3. Plug in and turn on the first item. It is best to attach the item with the largest load first.
4. Allow the engine to stabilize.
5. Plug in and turn on the next item.
6. Allow the engine to stabilize.
7. Repeat steps 5-6 for each additional item.

# MAINTENANCE AND STORAGE

## MAINTENANCE SCHEDULE

ITEM	NOTES	Daily(Before operation)	Initial 25 hours	Every 50 hours	Every 100 hours (or annual)
Spark Plug	Check condition. Adjust gap and clean. Replace if necessary.				✓
Engine Oil	Check oil level.	✓			
	Replace.		✓		✓
Air Filter	Clean, replace if necessary.			✓	
Fuel Filter	Clean fuel filter and fuel tank strainer. Replace if necessary.				✓
Fuel Line	Check fuel hose for cracks or other damage. Replace if necessary.	✓			
Exhaust System	Check for leakage. Retighten or replace gasket if necessary.	✓			
	Check spark arrester screen. Clean/Replace if necessary.				✓
Carburetor	Check choke operation.	✓			
Starting System	Check recoil starter operation.	✓			
Fittings/ Fasteners	Check. Replace if necessary.				✓

### General Recommendations

Regular maintenance will improve the performance and extend the life of the generator. See any authorized dealer for service.

The generator's warranty does not cover items that have been subjected to operator abuse or negligence. To receive full value from the warranty, the operator must maintain the generator as instructed in this manual.

Some adjustments will need to be made periodically to properly maintain your generator.

All service and adjustments should be made at least once each season. Follow the requirements in the Maintenance Schedule chart above.

**Notice** Once a year you should clean or replace the spark plug and replace the air filter. New spark plugs and clean air filter assure proper fuel-air mixture and help your engine run better and last longer.

## ENGINE MAINTENANCE

To prevent accidental starting, remove and ground spark plug wire before performing any service.

### Change Engine Oil

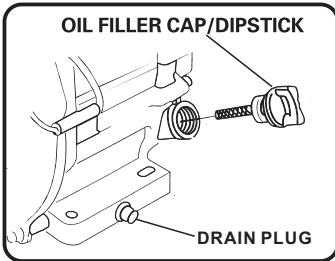
Change engine oil every 100 hours.  
(for a new engine, change oil after 25 hours.)

If you are using your generator under extremely dirty or dusty conditions, or in extremely hot weather, change the oil more often.

#### CAUTION

Avoid prolonged or repeated skin contact with used motor oil.

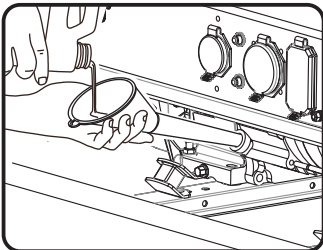
- Used motor oil has been shown to cause skin cancer in certain laboratory animals.
  - Thoroughly wash exposed areas with soap and water.
- (a) Drain oil by removing the drain plug and the oil filler cap while the engine is warm.



#### NOTE:

Please use a container to dispose of the oil at an approved recycling center.

(b) Reinstall the drain plug and fill the engine with oil until it reaches the HIGH(H) level on the oil filler cap.

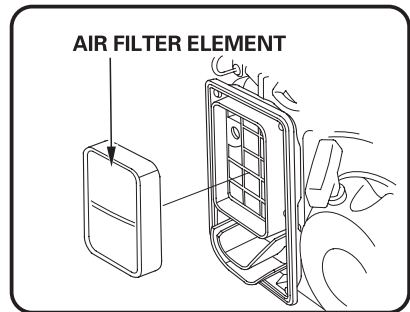
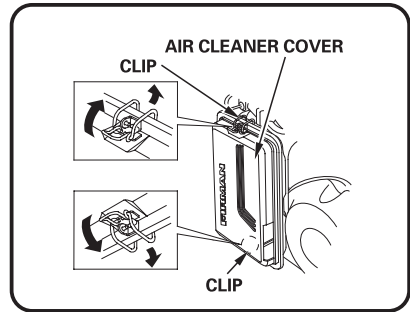


- Use fresh and high quality lubricating oil to the specified quantity.  
If contaminated or deteriorated oil is used or the quantity of the engine oil is not sufficient, engine damage will result and its life will be greatly shortened.

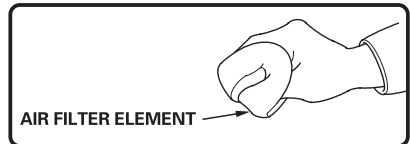
### Air Filter Maintenance

Maintaining an air filter in proper condition is very important. Dirt induced through improperly installed, improperly serviced, or inadequate elements damages and wears out engines. Always keep the element clean.

(a) Take out the air cleaner, clean it well in kerosene and dry it.



(b) After wetting the element with clean engine oil squeeze it tight by hand.

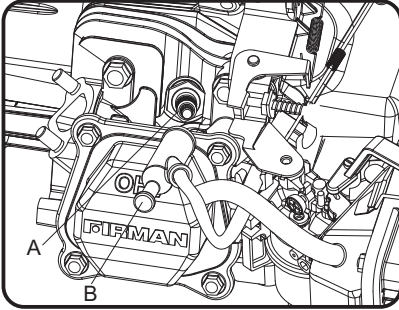


(c) Lastly, put the element in the case and install it securely.

## Spark Plug Maintenance

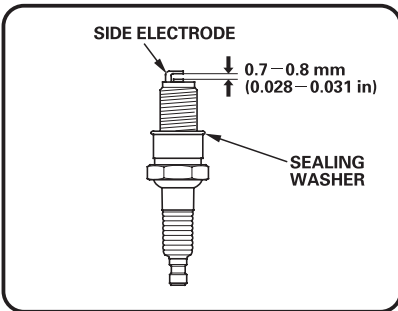
Changing the spark plug will help your engine to start easier and run better.

- (a) Remove the spark plug cap.
- (b) Remove spark plug using provided wrench.



A- Spark plug  
B- Spark plug cap

- (c) Inspect spark plug for damage and clean with a wire brush before reinstalling
- (d) Adjust the electrode gap to 0.7 to 0.8 mm (0.028" to 0.031").
- (e) Seat spark plug in position and thread by hand to prevent cross threading.
- (f) Tighten plug with provided wrench and put the cap back on spark plug.

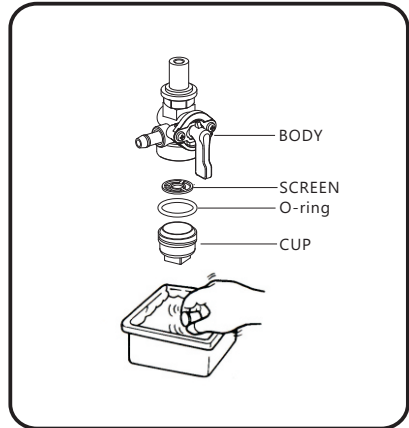


SPARK PLUG: TORCH F6RTC  
NGK BPR6ES  
CHAMPION RN9YC equivalent.

## Cleaning Fuel Strainer

Dirt and water in the fuel are removed by the fuel strainer.

- (a) Remove the strainer cup and throw away water and dirt.
- (b) Clean the screens and strainer cup with gasoline.
- (c) Tightly fasten the cup to main body, making sure to avoid fuel leak.



## Inspect Muffler and Spark Arrester

Inspect the muffler for cracks, corrosion, or other damage. Remove the spark arrester, if equipped, and inspect for damage or carbon blockage. If replacement parts are required, make sure to use only original equipment replacement parts.

### **WARNING**



Exhaust heat/gases could ignite combustibles, structures or damage fuel tank causing a fire, resulting in death or serious injury and/or property. Contact with muffler area could cause burns resulting in serious injury.

- **DO NOT** touch hot parts and **AVOID** hot exhaust gases.
- Allow equipment to cool before touching.
- Keep at least 5 feet (1.5 m) of clearance on all sides of generator including overhead.
- Replacement parts must be the same and installed in the same position as the original parts.

### **⚠ CAUTION**

Failure to clean the spark arrester will result in degraded engine performance.

## **GENERATOR MAINTENANCE**

Make certain that the generator is kept clean and stored properly. Only operate the unit on a flat, level surface in a clean, dry operating environment. **DO NOT** expose the unit to extreme conditions, excessive dust, dirt, moisture or corrosive vapours.

### **⚠ CAUTION**

**DO NOT** use a garden hose to clean the generator. Water can enter the generator through the cooling slots and damage the generator windings.

Use a damp cloth to clean exterior surfaces of the generator.

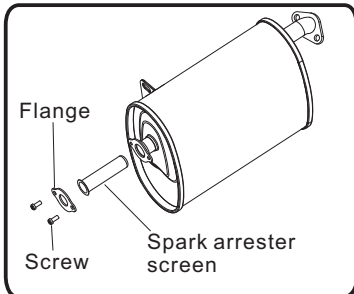
Use a soft bristle brush to remove dirt and oil. Use an air compressor (25 PSI) to clear dirt and debris from the generator.

Inspect all air vents and cooling slots to ensure that they are clean and unobstructed.

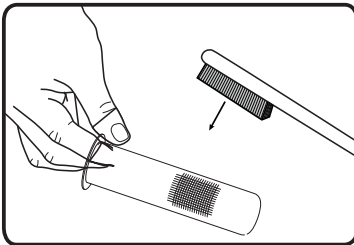
### **Clean or replace spark arrester as follows:**

Depending on the type fuel used, the type and amount of lubricant used, and/or your operating conditions, the exhaust part and muffler may become blocked with carbon deposits. If you notice power loss, you may need to remove these deposits to restore performance.

1. Allow the engine to cool completely before servicing the spark arrester.
2. Remove the screws securing the spark arrester in place and then remove it from the muffler.



3. Carefully remove the carbon deposits from the spark arrester screen with a wire brush.



4. Replace the spark arrester if it is damaged.
5. Position the spark arrester in the muffler and attach with the screws.

---

---

## SERVICE AND STORAGE

### Infrequent Service

If the unit is used infrequently, difficult starting may result. To eliminate hard starting, follow these instructions:

1. Run the generator at least 30 minutes every month.
2. Run the generator, then close the fuel shut-off valve and allow the unit to run until the engine stops.
3. Move the engine switch to the "OFF" position.

### Long Term Storage

When the generator set is not being operated or is being stored more than one month, follow these instructions:

1. Replenish engine oil to upper level.
2. Run the generator, then close the fuel shut-off valve and allow the unit to run until the engine stops.
3. Move the engine switch to the "OFF" position.
4. After the unit has cooled, drain gasoline from fuel tank, fuel line and carburetor.
5. Pour about one teaspoon of engine oil through the spark plug hole, pull the recoil starter several times and replace the plug. Then pull the starter until you feel the piston is on its compression stroke and leave it in that position. This closes both the intake and exhaust valves to prevent the inside of the cylinder from rusting.
6. Cover the unit and store in a clean, dry place that is well ventilated away from open flame or sparks.

**NOTE:** We recommend always using a fuel stabilizer. A fuel stabilizer will minimize the formulation of fuel gum deposits during storage. The fuel stabilizer can be added to the gasoline in the fuel tank, or into the gasoline in a storage container.

#### **NEVER USE WATER TO CLEAN GENERATOR.**

- Pull starter handle until resistance is felt, leaving handle in that position.
- Store generator in a well ventilated, low humidity area.

### **WARNING**

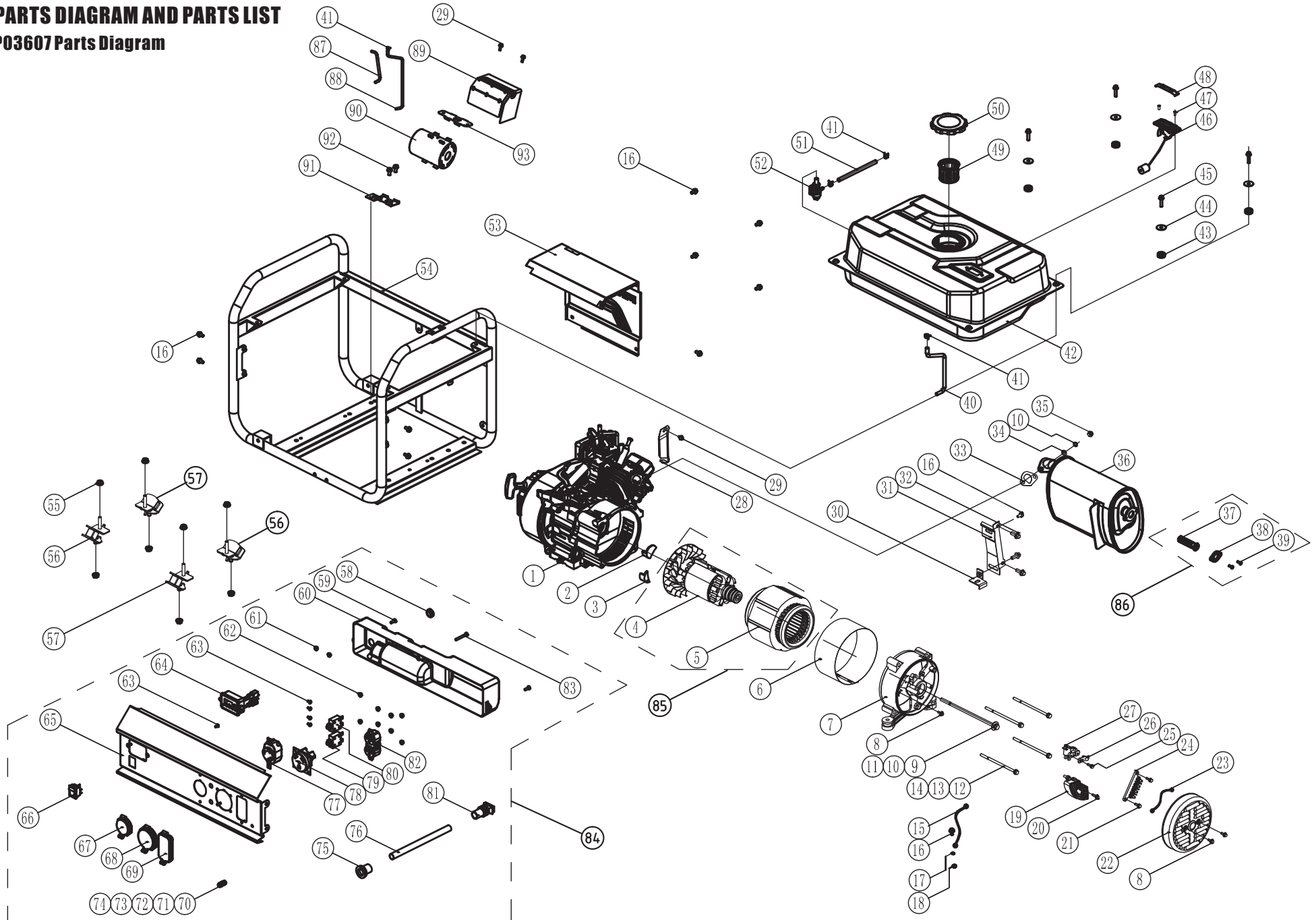
Generator exhaust contains odourless and colourless carbon monoxide gas.

To avoid accidental or unintended ignition of your generator during periods of storage, the following precautions should be followed: When storing the generator for short or extended periods of time make sure that the Engine Switch and the Fuel Valve are set in the OFF position.

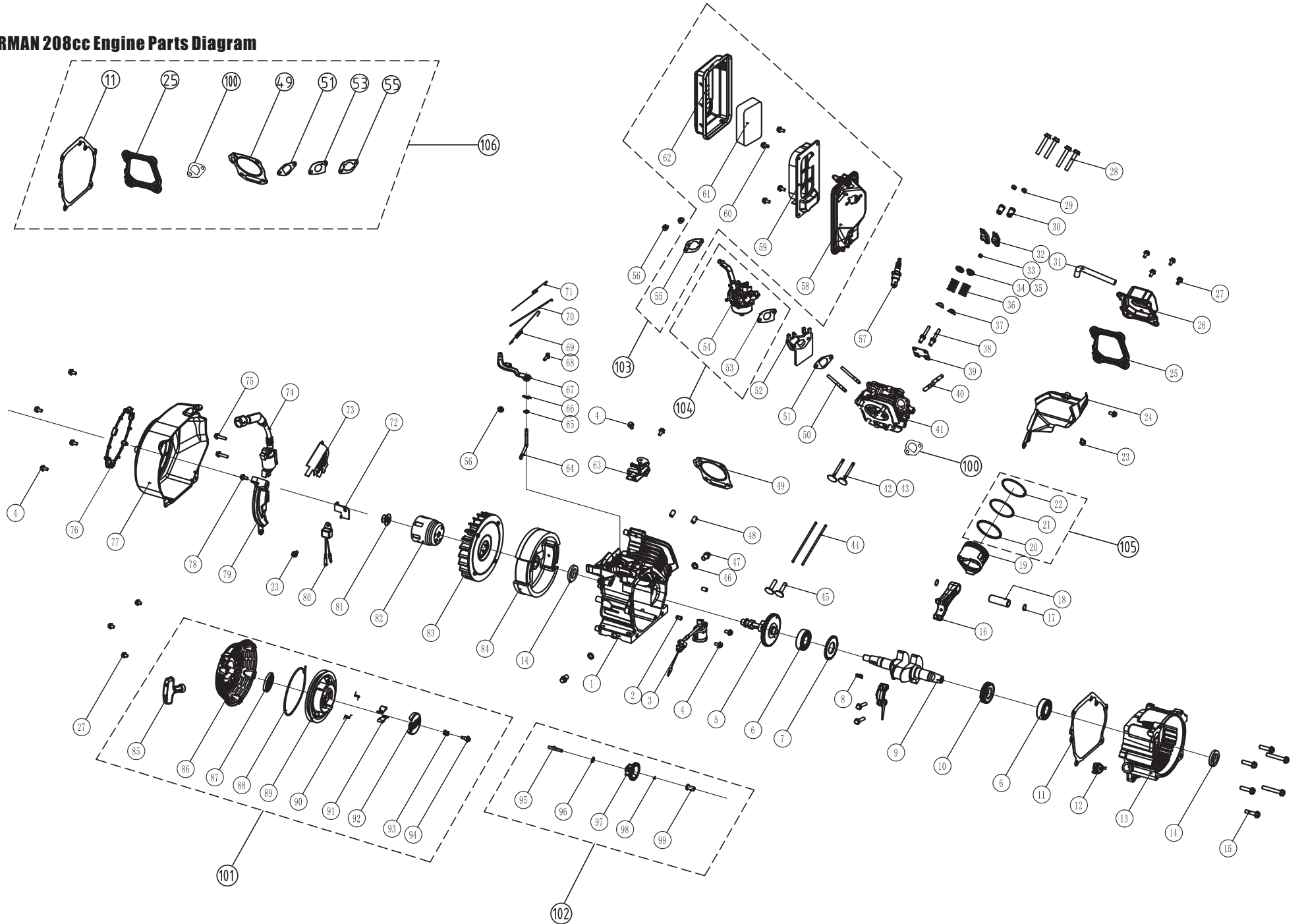
## TROUBLE SHOOTING

Problem	Cause	Correction
<b>Engine is running, but no AC output is available.</b>	<ol style="list-style-type: none"> <li>1. Circuit breaker is open.</li> <li>2. Fault in generator.</li> <li>3. Poor connection or defective cord set.</li> <li>4. Connected device is bad.</li> </ol>	<ol style="list-style-type: none"> <li>1. Reset circuit breaker.</li> <li>2. Contact authorized service facility.</li> <li>3. Check and repair.</li> <li>4. Connect another device that is in good condition.</li> </ol>
<b>Engine runs good at no-load but "bogs down" when loads are connected.</b>	<ol style="list-style-type: none"> <li>1. Short circuit in a connected load.</li> <li>2. Engine speed is too slow.</li> <li>3. Generator is overloaded.</li> <li>4. Shorted generator circuit.</li> <li>5. Clogged or dirty fuel filter.</li> </ol>	<ol style="list-style-type: none"> <li>1. Disconnect shorted electrical load.</li> <li>2. Contact authorized service facility.</li> <li>3. See Don't Overload Generator</li> <li>4. Contact authorized service facility.</li> <li>5. Clean or replace fuel filter.</li> </ol>
<b>Engine will not start; starts and runs rough or shuts down when running.</b>	<ol style="list-style-type: none"> <li>1. Engine switch set to OFF (O) position.</li> <li>2. Fuel shutoff lever is in OFF (O) position.</li> <li>3. Low oil level.</li> <li>4. Dirty air cleaner.</li> <li>5. Out of fuel.</li> <li>6. Stale fuel.</li> <li>7. Spark plug wire not connected to spark plug.</li> <li>8. Bad spark plug.</li> <li>9. Water in fuel.</li> <li>10. Flooded.</li> <li>11. Excessively rich fuel mixture.</li> <li>12. Intake valve stuck open or closed.</li> <li>13. Engine has lost compression.</li> <li>14. Clogged or dirty fuel filter.</li> </ol>	<ol style="list-style-type: none"> <li>1. Set engine switch to ON (I) position.</li> <li>2. Move fuel shutoff lever to ON (I) position.</li> <li>3. Fill crankcase to proper level or place generator on level surface.</li> <li>4. Clean or replace air cleaner.</li> <li>5. Fill fuel tank.</li> <li>6. Drain fuel tank and carburetor; fill with fresh fuel.</li> <li>7. Connect wire to spark plug.</li> <li>8. Replace spark plug.</li> <li>9. Drain gas tank and carburetor; fill with fresh fuel.</li> <li>10. Wait 5 minutes and re-crank engine.</li> <li>11. Contact authorized service facility.</li> <li>12. Contact authorized service facility.</li> <li>13. Contact authorized service facility.</li> <li>14. Clean or replace fuel filter.</li> </ol>
<b>Engine lacks power.</b>	<ol style="list-style-type: none"> <li>1. Load is too high.</li> <li>2. Dirty air filter.</li> <li>3. Clogged or dirty fuel filter.</li> <li>4. Clogged spark arrester.</li> </ol>	<ol style="list-style-type: none"> <li>1. Don't Overload Generator</li> <li>2. Replace air filter.</li> <li>3. Clean or replace fuel filter.</li> <li>4. Clean or replace spark arrester.</li> </ol>
<b>Engine "hunts" or falters.</b>	<ol style="list-style-type: none"> <li>1. Carburetor is running too rich or too lean.</li> <li>2. Clogged or dirty fuel filter.</li> </ol>	<ol style="list-style-type: none"> <li>1. Contact authorized service facility.</li> <li>2. Clean or replace fuel filter.</li> </ol>
<b>Engine shuts down when running.</b>	<ol style="list-style-type: none"> <li>1. Out of fuel.</li> <li>2. Dirty air cleaner.</li> <li>3. Low oil level.</li> </ol>	<ol style="list-style-type: none"> <li>1. Fill fuel tank.</li> <li>2. Clean or replace air cleaner.</li> <li>3. Fill crankcase to proper level or place generator on level surface.</li> </ol>

**PARTS DIAGRAM AND PARTS LIST**  
**P03607 Parts Diagram**



# FIRMAN 208cc Engine Parts Diagram





## FIRMAN 208cc Engine Parts List

NO.	Part Number	Description	Qty.
1	336723500	Crankcase Subassembly.	1
2	336723501	Locating Pins	2
3	336723502	Sensor, Engine Oil	1
4	336723503	Flg. Bolt M6×12	8
5	336723504	Camshaft Assy.	1
6	336723505	Bearing	2
7	336723506	Gear, Crankshaft	1
8	336723507	Woodruff Key	1
9	336723508	Crankshaft	1
10	336723509	Gear, Drive	1
11	336723510	Gasket, Crankcase	1
12	336723511	Oil Dipstick Assy	1
13	336723512	Cover, Crankcase	1
14	336723513	Seal, Oil	2
15	336723514	Flg. Bolt M8×32	6
16	336723515	Rod, Connecting	1
17	336723516	Clip, Piston Pin	2
18	336723517	Pin, Piston	1
19	336723518	Piston	1
20	336723519	Ring Set, Oil	1
21	336723520	Ring, The Second	1
22	336723521	Ring, The First	1
23	336723522	Flg. Bolt M6×8	3
24	336723523	Air Guide Lower	1
25	336723524	Gasket, Cylinder Head Cover	1
26	336723525	Cover Subassembly, Cylinder Head	1
27	336723526	Flg. Bolt M6×15	7
28	336723527	Flg. Bolt M8×55	4
29	336723528	Nut, Valve Lock	2
30	336723529	Nut Valve Adjusting	2
31	336723530	Breather Tube	1
32	336723531	Rocker, Valve	2
33	336723532	Rotator, Valve	1
34	336723533	Retainer, Intake Valve	1
35	336723534	Retainer, Exhaust Valve	1
36	336723535	Spring, Valve	2
37	336723536	Oil Seal, Valve	2
38	336723537	Bolt, Valve Adjusting	2
39	336723538	Plate Subassembly, Lifter Stopper	1
40	336723539	Exhaust Valves Stud Bolt	2
41	336723540	Head Subassembly, Cylinder	1
42	336723541	Valve, Intake	1
43	336723542	Valve, Exhaust	1
44	336723543	Push Rod	2
45	336723544	Tappet, Valve	2
46	336723545	Washer, Drain Bolt	2
47	336723546	Bolt, Drain Plug	2
48	336723547	Locating Pins	2
49	336723548	Gasket, Cylinder Head	1
50	336723549	Stud, Intake	2
51	336723550	Gasket, Inlet	1
52	336723551	Plate, Carburetor Insulator	1
53	336723552	Gasket, Carburetor	1

NO.	Part Number	Description	Qty.
54	336723553	Carburetor	1
55	336723554	Gasket, Air Cleaner	1
56	336723555	Nut M6	3
57	336723556	Spark Plug	1
58	336723557	Elbow, Air Cleaner	1
59	336723558	Clapboard	1
60	336723559	Mounting Bolt, Air Cleaner	4
61	336723560	Element, Air Cleaner	1
62	336723561	Cover, Air Cleaner	1
63	336723562	Control Assembly	1
64	336723563	Shaft, Governor Arm	1
65	336723564	Rocker Shim	1
66	336723565	Pin, Shaft	1
67	336723566	Arm, Governor	1
68	336723567	Bolt, Governor Arm	1
69	336723568	Spring, Governor Arm	1
70	336723569	Rod, Governor	1
71	336723570	Spring, Throttle Return	1
72	336723571	Retainer, Diode	1
73	336723572	Wind Deflectors	1
74	336723573	Ignition Coil	1
75	336723574	Flg. Bolt M6×25	2
76	336723575	Protect Circle	1
77	336723576	Fan Cover Comp	1
78	336723577	Flg. Bolt M6×20	1
79	336723578	Air Guide, Right Side	1
80	336723579	Diode Assembly	1
81	336723580	Locknut	1
82	336723581	Pulley, Starter	1
83	336723582	Cooling Fan	1
84	336723583	Flywheel Comp	1
85	336723584	Grip, Starter	1
86	336723585	Case Comp., Recoil Starter	1
87	336723586	Spring, Starter Return	1
88	336723587	Cord	1
89	336723588	Pulley, Recoil Starter	1
90	336723589	Spring, Patchet	2
91	336723590	Patchet, Starter	2
92	336723591	Pawl Guide	1
93	336723592	Clip Sprg., Pawl Guide	1
94	336723593	Screw, Pawl Guide	1
95	336723594	Gov., Gear Shaft	1
96	336723595	Inner Washer, Gear	1
97	336723596	Gear, Governor	1
98	336723597	Clip, Governor Gear	1
99	336723598	Bushing, Governor Gear	1
100	336713532	Auspuffdichtung	1
101	336423500	Recoil Starter Set	1
102	336423501	Governing Gear Set	1
103	336423502	Air Cleaner Set	1
104	336423503	Carburetor Set	1
105	336423504	Piston Rings Set	1
106	336423505	Gasket Set	1

---

---

## SERVICE INFORMATION

### CONTACT THE FIRMAN PRODUCT SERVICE DEPARTMENT AT 1-844-347-6261

or at [www.firmangenerators.com](http://www.firmangenerators.com)  
to obtain warranty service  
information or to order  
replacement parts or  
accessories.

## HOW TO ORDER REPLACEMENT PARTS

Even quality built equipment such as the electric generator you have purchased might need occasional replacement parts to maintain it in good condition over the years. To order replacement parts, please give the following information:

1. Model No. ,Rev. Level and Serial No. and all specifications shown on the Model No./Serial No. plate.
2. Parts number or numbers as shown in the Parts List section.
3. A brief description of the trouble with the generator.

## REGISTER YOUR PRODUCT

Register your Firman generator online at [www.firmangenerators.com](http://www.firmangenerators.com)

## WARRANTY

### FIRMAN Three (3) Year Limited Warranty

#### Warranty Qualifications

FIRMAN GENERATOR will register the warranty upon receipt of your Warranty Registration Card and a copy of your sales receipt from one of FIRMAN's retail locations as proof of purchase. Please submit your warranty registration and your proof of purchase within ten (10) days of the date of purchase.

#### Repair/Replacement Warranty

FIRMAN warrants to the original purchaser that the mechanical and electrical components will be free of defects in material and workmanship for a period of one (1) year (parts and labor) and three (3) years (parts) from the original date of purchase 90 days [parts and labor] and 180 days [parts] for commercial & industrial use. Transportation charges on product submitted for repair or replacement under this warranty are the sole responsibility of the purchaser. This warranty only applies to the original purchaser and is not transferable.

#### Do Not Return the Unit to the Place of Purchase

Contact the FIRMAN Service Center and FIRMAN will troubleshoot any issue via phone or e-mail. If the problem is not corrected by this method, FIRMAN will, at its option, authorize evaluation, repair or replacement of the defective part or component at a FIRMAN Service Center. FIRMAN will provide you with a case number for warranty service. Please keep it for future reference. Repairs or replacements without prior authorization, or at an unauthorized repair facility, will not be covered by this warranty.

#### Warranty Exclusions

This warranty does not cover the following repairs and equipment:

##### Normal Wear

Your product needs periodic parts and service to perform well. This warranty does not cover repair when normal use has exhausted the life of a part or the equipment as a whole.

---

---

## Installation, Use and Maintenance

This warranty will not apply to parts and/or labor if your product is deemed to have been misused, neglected, involved in an accident, abused, loaded beyond the generator's limits, modified, installed improperly or connected incorrectly to any electrical component.

Normal maintenance is not covered by this warranty.

## Other Exclusions

This warranty excludes:

- cosmetic defects such as paint, decals, etc.
- wear items
- accessory parts
- failures due to acts of God and other force majeure events beyond the manufacturer's control
- problems caused by parts that are not original FIRMAN parts

## Limits of Implied Warranty and Consequential Damage

FIRMAN disclaims any obligation to cover any loss of time, use of this product, freight, or any incidental or consequential claim by anyone from using this product. THIS WARRANTY IS IN LIEU OF ALL OTHER WARRANTIES, EXPRESS OR IMPLIED, INCLUDING WARRANTIES OF MERCHANTABILITY OR FITNESS FOR A PARTICULAR PURPOSE.

A unit provided as an exchange will be subject to the warranty of the original unit. The length of the warranty governing the exchanged unit will remain calculated by reference to the purchase date of the original unit.

This warranty gives you certain legal rights which may change from state to state. Your state may also have other rights you may be entitled to that are not listed within this warranty.

## Contact Information

You may contact FIRMAN at:

### Address

Firman Power Equipment Inc.  
Attn: Customer Service  
14131 N Rio Vista Blvd Suite 9  
Peoria, AZ 85381  
[www.firmangenerators.com](http://www.firmangenerators.com)

*We are FIRMAN POWER - And we are here for you.*  
*Customer Service Desk - 1-844-347-6261(844-FIRMAN1)*  
*6am PST(9am EST) until 8pm EST(5pm PST)*  
*Technical Service Desk - 1-844-347-6261(844-FIRMAN1)*  
*6am PST(9am EST) until 8pm EST(5pm PST)*  
*24/7 Tech Support - 1-844-347-6261(844-FIRMAN1)*

---

---

# FIRMAN POWER EQUIPMENT INC. Emission Control System Warranty

## **CALIFORNIA AND FEDERAL EXHAUST AND EVAPORATIVE EMISSIONS CONTROL WARRANTY STATEMENT GASOLINE ENGINES**

### **YOUR WARRANTY RIGHTS AND OBLIGATIONS**

The California Air Resources Board, US Environmental Protection Agency ("US EPA") and FIRMAN POWER EQUIPMENT INC. (FIRMAN) are pleased to explain the exhaust and evaporative emissions control systems warranty on your 2016-2017 or later Small Off-Road Engine ("SORE") and engine powered equipment as applicable. In California and the USA, SORE and engine powered equipment must be designed, built and equipped to meet California as applicable. In California and the USA, SORE and engine powered equipment must be designed, built and equipped to meet California and US EPA stringent anti-smog standards. FIRMAN must warrant the emissions control systems on your SORE and engine powered equipment for the period listed below provided there has been no abuse, neglect or improper maintenance of your SORE or engine powered equipment. Your exhaust emission control systems may include parts such as carburetors, fuel-injection systems, the ignition system, and catalytic converters. Also included may be an evaporative emission control system which may include fuel tanks, fuel lines, fuel caps, valves, canisters, filters, vapor hoses, clamps, connectors, belts and other associated components. For engines less than or equal to 80 cc, only the fuel tank is subject to the evaporative emission control warranty requirements of this section (California only).

### **OWNER'S WARRANTY RESPONSIBILITIES:**

As the SORE or engine powered equipment owner, you are responsible for the performance of the required maintenance listed in your owner's manual. FIRMAN recommends that you retain all receipts covering maintenance on your SORE or engine powered equipment, but FIRMAN cannot deny warranty solely for the lack of receipts.

As the SORE or engine powered equipment owner, you should however be aware that FIRMAN may deny you warranty coverage if your SORE or engine powered equipment or a part has failed due to abuse, neglect, improper maintenance or unapproved modifications.

You are responsible for presenting your SORE or engine powered equipment to a FIRMAN distribution or service center as soon as a problem exists. The warranty repairs should be completed in a reasonable amount of time, not to exceed 30 days. If you have a question regarding your warranty coverage, you should contact FIRMAN at 1-844-347-6261 or firmangenerators@sumec-na.com.

### **GENERAL EMISSIONS WARRANTY COVERAGE**

This emission control system is warranted for three years. The warranty period begins on the date the engine or equipment is delivered to an ultimate purchaser. FIRMAN warrants to the ultimate purchaser and each subsequent purchaser that the engine is:

Designed, built, and equipped so as to conform with all applicable regulations adopted by the Air Resources Board and US EPA; and Free from defects in materials and workmanship that cause the failure of a warranted part to be identical in all material respects to the part as described in the engine manufacturers application for certification.

The warranty on emissions-related parts is as follows:

- (1) Any warranted part that is not scheduled for replacement as required maintenance in the owner's manual supplied, is warranted for the warranty period stated above. If any such part fails during the period of warranty coverage, the part will be repaired or replaced by FIRMAN at no charge to the owner. Any such part repaired or replaced under the warranty will be warranted for the remaining warranty period.
- (2) Any warranted part that is scheduled only for regular inspection in the owner's manual supplied, is warranted for the warranty period stated above. Any such part repaired or replaced under warranty will be warranted for the remaining warranty period.
- (3) Any warranted part that is scheduled for replacement as required maintenance in the owner's manual supplied, is warranted for the period of time prior to the first scheduled replacement point for that part. If the part fails prior to the first scheduled replacement, the part will be repaired or replaced by FIRMAN at no charge to the owner. Any such part repaired or replaced under warranty will be warranted for the remainder of the period prior to the first scheduled replacement point for the part.
- (4) Repair or replacement of any warranted part under the warranty must be performed at no charge to the owner at a warranty station.
- (5) Notwithstanding the provisions of Subsection (4) above, warranty services or repairs must be provided by FIRMAN that are franchised to service the subject engines.
- (6) The owner must not be charged for diagnostic labor that leads to the determination that a warranted part is in fact defective, provided that such diagnostic work is performed at a warranty station.
- (7) FIRMAN is liable for damages to other engine components proximately caused by a failure under warranty of any warranted part.
- (8) Throughout the emissions warranty period defined in Subsection (b)(2), FIRMAN will maintain a supply of warranted parts sufficient to meet the expected demand for such parts.
- (9) Any replacement part may be used in the performance of any warranty maintenance or repairs and must be provided without charge to the owner. Such use will not reduce the warranty obligations of the manufacturer.
- (10) Add-on or modified parts that are not exempted by the Air Resources Board may not be used. The use of any non-exempted add-on or modified parts by the ultimate purchaser will be grounds for disallowing a warranty claim.

The manufacturer will not be liable to warrant failures of warranted parts caused by the use of a non-exempted add-on or modified part.

---

---

## PARTS COVERED BY WARRANTY

Listed below are the parts (if equipped) covered by the Federal and California Emission Control Systems Warranty. Some parts listed below may require scheduled maintenance and are warranted up to the first scheduled replacement point for that part.

1. Ignition system including: <ul style="list-style-type: none"><li>- Spark plug</li><li>- Ignition coil</li></ul>	4. Air induction system including: <ul style="list-style-type: none"><li>- Intake pipe/manifold</li><li>- Air cleaner</li></ul>
2. Fuel metering system: <ul style="list-style-type: none"><li>- Fuel tank</li><li>- Fuel cap</li><li>- Fuel line and related fittings/clamps</li><li>- Carburetor assembly including internal parts and gaskets</li></ul>	5. Crankcase breather assembly including: <ul style="list-style-type: none"><li>- Breather connection tube</li></ul>
3. Catalytic muffler assembly including: <ul style="list-style-type: none"><li>- Exhaust manifold</li><li>- Catalytic converter</li><li>- Muffler gasket</li><li>- pulse valve</li></ul>	6. Fuel tank evaporative emission control system including: <ul style="list-style-type: none"><li>- Purge valves</li><li>- Carbon canister</li><li>- Vapor hoses and fitting/clamps</li></ul>

### Limitations

This Emission Control Systems Warranty shall not cover any of the following:

- (a) Consequential damages such as loss of time, inconvenience, loss of use of the engine or equipment, etc.
- (b) Diagnosis and inspection fees that do not result in eligible warranty service being performed.

FIRMAN POWER EQUIPMENT INC.  
firmangenerators@sumec-na.com  
www.firmangenerators.com

**Firman Power Equipment Inc.**

14131 N Rio Vista Blvd Suite 9

Peoria, AZ 85381

[www.firmangenerators.com](http://www.firmangenerators.com)

# FIRMAN®

## MANUAL PARA EL PROPIETARIO DEL GENERADOR PORTÁTIL



MODELO N°  
**P03607**  
Nivel rev:00

**IMPORTANTE:** Lea detenidamente todas las instrucciones y precauciones de seguridad antes de operar con el equipo. Asegúrese de que el motor está parado y nivelado antes de realizar ningún mantenimiento o servicio.



Guarde la información del producto como referencia de consulta al realizar pedidos de piezas u obtener la cobertura de la garantía.



**NO LO DEVUELVA A  
LA TIENDA!**



LLÁMENOS PRIMERO!  
TELÉFONO DE ATENCIÓN AL CLIENTE  
1-844-347-6261

PARA CONSULTAS O INFORMACIÓN  
DEL SERVICIO

Número de serie: \_\_\_\_\_

Fecha de compra: \_\_\_\_\_

P/N:336745456 Rev:00

# Índice de Contenido

<b>Introducción</b> . . . . .	1	<b>Mantenimiento Y Almacenamiento.</b> . . . . .	18
<b>Precauciones De Seguridad</b> . . . . .	2	Programa de Mantenimiento . . . . .	18
<b>Desempaquetar El Generador.</b> . . . . .	6	Mantenimiento del Motor . . . . .	19
Piezas Incluidas. . . . .	6	Cambiar El Aceite Del Motor. . . . .	19
<b>Retirar Los Soportes Para El Envío.</b> . . . . .	7	Mantenimiento del Filtro De Aire. . . . .	19
<b>Controles Y Características.</b> . . . . .	8	Mantenimiento de La Bujía. . . . .	20
Generador. . . . .	8	Limpieza del Filtro de Carburante . . . . .	20
Panel De Control. . . . .	9	Inspeccionar El Silenciador Y El	
<b>Especificaciones.</b> . . . . .	10	Apagachispas . . . . .	20
Añadir Aceite Al Motor . . . . .	11	Mantenimiento del Generador . . . . .	21
Apagado Por Bajo Nivel De Aceite . . . . .	11	Servicio Y Almacenamiento . . . . .	22
Añadir Combustible . . . . .	12	<b>Solucion de Problemas</b> . . . . .	23
Funcionamiento A Gran Altitud . . . . .	12	<b>Diagrama de Las Piezas Y Lista de Piezas</b> . 24	
Toma de Tierra. . . . .	13	Diagrama de Las Piezas(Generador) . . . . .	24
Sistema Electrico De Conexion a un		Diagrama de Las Piezas(Motor) . . . . .	25
Edificio. . . . .	13	Lista de Piezas . . . . .	26
<b>Funcionamiento</b> . . . . .	14	<b>Información de Servicio.</b> . . . . .	28
Ubicación del Generador . . . . .	14	<b>Garantía.</b> . . . . .	28
Protección Contra Sobrecargas . . . . .	14		
Poner En Marcha El Generador. . . . .	15		
Conexión de Cargas Eléctricas. . . . .	16		
Parada del Motor . . . . .	16		
Desconexión Por Nivel de Aceite Bajo . . . . .	17		
No Sobrecargue El Generador . . . . .	17		

# INTRODUCCIÓN

Muchas gracias por comprar el generador FIRMAN.

**Este manual contiene** información de seguridad para que usted tome conciencia de los peligros y riesgos asociados a los productos electrógenos y para saber cómo puede evitarlos. Este generador está diseñado y previsto solo para suministrar energía eléctrica para operar con iluminación, aparatos, herramientas y cargas de motor compatibles, y no está previsto para ningún otro propósito. Es importante que usted lea y entienda completamente estas instrucciones antes de intentar empezar a operar con este equipo.

**Guarde estas instrucciones originales para consultas futuras.**

Este manual incluye el funcionamiento y el mantenimiento de los generadores FIRMAN. Toda información incluida en esta publicación está basada en la información de producción más actualizada disponible en el momento de la aprobación para impresión. El fabricante se reserva el derecho a modificar, alterar o, de otro modo, mejorar el generador y esta documentación en cualquier momento sin ningún cambio previo.

## Información de Seguridad Importante

El fabricante no puede anticipar con posibilidad todas las circunstancias posibles que puedan implicar un peligro. Es decir, las advertencias en este manual y las etiquetas y pegatinas adheridas en la unidad no incluyen todas las posibilidades. Si usted sigue un procedimiento, un método de trabajo o una técnica de funcionamiento que el fabricante no recomienda específicamente, deberá confiar usted mismo de que ello es seguro para usted y para otros. Usted también debe asegurarse de que el método de trabajo y proceso o técnica de funcionamiento que elija no le aporta peligrosidad al generador.

### INFORMACIÓN DE SEGURIDAD



#### PELIGRO

PELIGRO indica una situación potencialmente peligrosa que, si no se evita, **RESULTARÁ** en muerte o lesión grave.



#### ADVERTENCIA

ADVERTENCIA indica una situación potencialmente peligrosa que, si no se evita, podría resultar en muerte o lesión grave.



#### PRECAUCIÓN

PRECAUCIÓN indica una situación potencialmente peligrosa que, si no se evita, podría resultar en una lesión humana menor o moderada, o en daños en la propiedad.



Gases tóxicos



Riesgo de descarga eléctrica



Peligro de incendio



Peligro de explosión



Superficie caliente.  
No tocar la superficie.



Peligro de entrelazamiento  
entre las piezas en rotación






Retroceso



Manual del Operario

## SAFETY PRECAUTIONS

 <b>PELIGRO</b>	
Utilizar un generador en el interior PUEDE MATARLE EN CUESTIÓN DE MINUTOS. El tubo de escape del generador contiene monóxido de carbono. Se trata de un gas tóxico que no se ve ni se huele.	
	
<b>NUNCA</b> lo use en el interior de una casa o de un garaje, <b>INCLUSO SI</b> las puertas o las ventanas están abiertas.	Utilizar solo <b>EN EL EXTERIOR</b> y lejos de ventanas, puertas y conductos de ventilación.
Evitar otros peligros del generador. <b>LEA EL MANUAL ANTES DE USAR.</b>	

### **ADVERTENCIA**

#### **PELIGRO DE GAS TÓXICO**



El tubo de escape del motor contiene monóxido de carbono, un gas tóxico que podría matarle en cuestión de minutos. Usted **NO PUEDE** olerlo, verlo ni notarlo al gusto. Incluso si usted no huele el gas del tubo de escape, podría seguir estando expuesto al gas del monóxido de carbono.

- Utilizar este producto **SOLO** en el exterior y lejos de ventanas, puertas y conductos de ventilación para reducir el riesgo de que el gas monóxido de carbono se acumule y sea conducido potencialmente hacia espacios ocupados.
- Instale alarmas de monóxido de carbono a batería o alarmas de monóxido de carbono con enchufe y con batería de seguridad según las instrucciones del fabricante. Las alarmas de humo no pueden detectar el gas de monóxido de carbono.
- **NO** haga funcionar este producto dentro de casas, garajes, sótanos, sótanos de poca altura, cobertizos u otros espacios parcialmente cerrados, aunque tenga ventiladores o puertas y ventanas abiertas para ventilar. El monóxido de carbono puede aumentar rápidamente en estos espacios y puede permanecer durante horas, incluso una vez apagado este producto.

- **SIEMPRE** coloque este producto en la dirección del viento y situando el tubo de escape del motor lejos de espacios ocupados. Si se empieza a encontrar mal, mareado o débil durante la utilización de este producto, apáguelo y salga a tomar aire fresco **INMEDIATAMENTE**. Visite a un médico. Usted podría haberse intoxicado por monóxido de carbono.

### **ADVERTENCIA**

El tubo de escape del motor de este producto contiene sustancias químicas que según el Estado de California son conocidas por causar cáncer, malformaciones congénitas u otros daños reproductivos.

### **ADVERTENCIA**

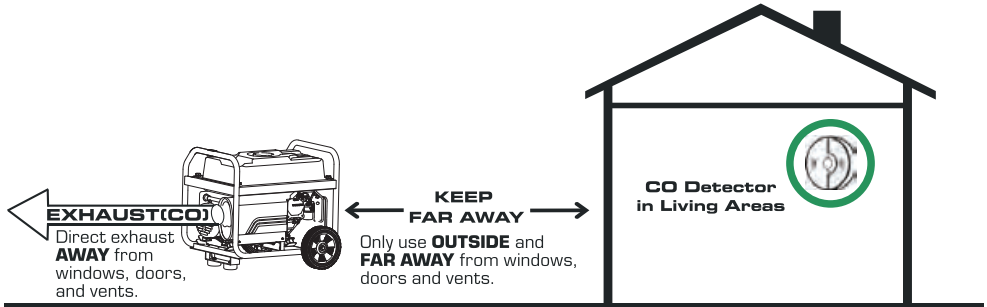
Ciertos componentes en este producto y accesorios relacionados contienen sustancias químicas que según el Estado de California son conocidas por causar cáncer, malformaciones congénitas u otros daños reproductivos. Lávese las manos antes de su manipulación.

- Si se empieza a encontrar mal, mareado o débil durante el uso del generador portátil, podría haberse intoxicado por monóxido de carbono. Salga a tomar aire fresco inmediatamente y llame al 911 para recibir atención médica de emergencia. Niveles muy altos de CO podrían provocar que las víctimas perdieran el conocimiento antes de poderse salvar. **NO** intente apagar el generador antes de salir a tomar aire fresco. Entrar en espacios cerrados donde un generador está o ha estado funcionando podría podenerle en un mayor riesgo de intoxicación por CO.

## USO CORRECTO

### Ubicación ejemplar para reducir los riesgos de intoxicación por monóxido de carbono

- ISOLO usarse en el exterior y en la dirección del viento, lejos de ventanas, puertas y conductos de ventilación.
- Direccionar el tubo de escape lejos de espacios ocupados.



## USO INCORRECTO

### No utilizar en ninguno de los lugares siguientes:

Cerca de una puerta, ventana o conducto de ventilación

Garaje

Sótano

Sótano de poca altura

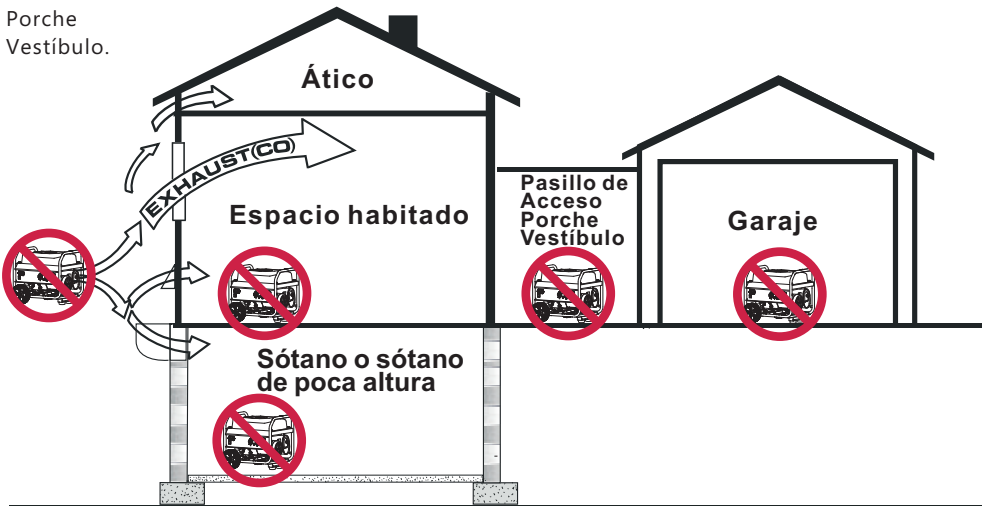
Espacio habitado

Ático

Pasillo de acceso

Porche

Vestíbulo.



## **⚠️ ADVERTENCIA**



El retroceso del cable de arranque (retracción rápida) estirará la mano y el brazo hacia el motor muy rápido y antes de que usted lo pueda soltar, lo cuál podría causar huesos rotos, fracturas, moratones o esguinces, resultando en una grave herida.

- Cuando vaya a poner en marcha el motor, estire el cable poco a poco hasta que note resistencia, y entonces estire rápidamente para evitar el retroceso.
- **NUNCA** ponga en marcha o apague el motor con aparatos eléctricos enchufados y encendidos.

## **⚠️ ADVERTENCIA**



El combustible y su vapor son extremadamente inflamables y explosivos, y podrían provocar quemaduras, incendios o explosiones resultando en muerte o heridas graves, y en daños en la propiedad.

## **AÑADIR O VACIAR COMBUSTIBLE**

- Apague el motor y déjelo enfriar durante al menos 2 minutos antes de quitar el tapón del combustible. Afloje el tapón lentamente para atenuar la presión del depósito. Fill or drain fuel tank outdoors.
- Rellene o vacíe el depósito de combustible en un lugar exterior.
- **NO** llene demasiado el depósito. Deje espacio para la expansión del combustible.
- Si se vierte combustible espere hasta que se evapore antes de poner el motor en marcha.
- Mantenga el combustible lejos de chispas, llamas abiertas, luces piloto, calor y otras fuentes de ignición.
- Revise frecuentemente las líneas, el depósito, el tapón y el equipamiento del combustible y compruebe que no haya grietas o escapes. Reemplázelo si es necesario.
- **NO** encienda un cigarrillo ni fume.

## **PONER EN MARCHA EL EQUIPO**

- Asegúrese de que la bujía, el silenciador, el tapón del combustible y el limpiador de aire están en su sitio.
- **NO** gire el motor con la bujía quitada.

## **PONER EL EQUIPO EN FUNCIONAMIENTO**

- **NO** ponga en funcionamiento este producto dentro de un edificio, garaje abierto, porche, equipamiento móvil, aplicaciones marinas o recintos cerrados.
- **NO** incline el motor o el equipo hacia un ángulo que pueda hacer verter combustible.
- **NO** apague el motor girando el mando del estárter hacia la posición "Start" ("Encender")

## **TRANSPORTAR, MOVER O REPARAR EL EQUIPO**

- Transportar/mover/ reparar con el depósito de combustible VACÍO o con la válvula de interrupción de combustible apagada (OFF).
- **NO** incline el motor o el equipo hacia un ángulo que podría hacer verter combustible.
- Desconecte el cable de la bujía.

## **ALMACENAJE DE COMBUSTIBLE O DEL EQUIPO CON COMBUSTIBLE EN EL DEPÓSITO**

- Almacenar lejos de hornos, estufas, calentadores de agua, secadoras de ropa, u otros aparatos que puedan tener una luz piloto u otras fuentes de ignición, ya que podrían prender fuego al vapor del combustible.

## **⚠️ ADVERTENCIA**

- Este generador no cumple con el Reglamento de la Guarda Costera de los EUA 33CFR-183, y no debería utilizarse en aplicaciones marinas.
- La utilización de generadores no homologados por la Guarda Costera de los EUA, podría resultar en muerte o en heridas graves y/o daños de la propiedad.

## **⚠️ ADVERTENCIA**



El voltaje del generador podría causar descargas eléctricas o quemadas resultando en muerte o heridas graves.

- Utilice el equipo de transferencia homologado, y adaptado para el uso intencionado, con tal de prevenir retroalimentación por separar el generador de los operarios eléctricos.

- Cuando utilice el generador como energía de reserva, notifique a la empresa eléctrica.
- **No** usar un interruptor de circuito con falla a tierra (GFCI de las siglas en inglés) en ningún área húmeda o altamente conductora, como entablados de metal u obras de acero.
- **NO** tocar cables o receptáculos pelados.
- **NO** utilizar el generador con cuerdas eléctricas que estén gastadas, peladas o dañadas de algún modo.
- **NO** hacer funcionar el generador bajo la lluvia o con un clima húmedo.
- **NO** manipular el generador o cables eléctricos si se está encima del agua, con los pies descalzos o con las manos o los pies mojados.
- **NO** permitir a personal no calificado o niños que operen o sirvan el generador.

### **ADVERTENCIA**



El calor/gases del tubo de escape podrían prender fuego a combustibles, estructuras o depósito de combustible dañado, provocando un incendio y resultando en muerte o heridas graves y/o daños en la propiedad.

El contacto con el área del silenciador podría encenderse y resultar en daños graves.

- **NO** tocar las partes calientes y EVITAR los gases calientes del tubo de escape.
- Dejar que el equipo se enfríe antes de tocarlo.
- Se considera violación del Código de Recursos Públicos de California, Sección 4442, utilizar u operar el motor en cualquier terreno cubierto de árboles, de arbustos o de hierba, excepto si el sistema de escape está equipado con un parachispas, tal y como se describe en la Sección 4442, mantenido en perfecto funcionamiento. Otros estados o jurisdicciones federales pueden tener leyes similares. Contacte con el fabricante original, minorista, o distribuidor del equipo para obtener un parachispas diseñado para el sistema de escape instalado en este motor.
- El recambio de las piezas debe ser el mismo y estar instalado en la misma posición que las piezas originales.

### **ADVERTENCIA**



Chispas no intencionadas podrían provocar un incendio o una descarga eléctrica, resultando en muerte o heridas graves.

### **AJUSTAR O HACER REPARACIONES A SU GENERADOR**

- Desconecte el cable de la bujía de la bujía y coloque el cable donde no pueda haber contacto con la bujía.

### **HACER PRUEBAS PARA LAS CHISPAS DEL MOTOR**

- Utilice un tester para bujías apto
- **NO** revise si hay chispas cuando la bujía esté retirada.

### **ADVERTENCIA**



El interruptor de encendido y otras partes giratorias podrían enredarse con manos, pelo, ropa u otros accesorios, resultando en heridas graves.

- **NUNCA** haga funcionar el generador sin cubierta o sin tapas protectoras.
- **NO** lleve ropa holgada, joyas o nada que pueda atascarse en el interruptor de encendido o en otras partes giratorias.
- Átese los cabellos largos y quítese las joyas.

### **PRECAUCIÓN**

Velocidades de funcionamiento excesivamente altas podrían resultar en heridas menores. Velocidades de funcionamiento excesivamente bajas obligan a una carga pesada.

- **NO** altere el muelle gobernador, los enlaces u otras partes para incrementar la velocidad del motor. El generador suministra una frecuencia y voltajes correctamente evaluados cuando funcionan a una velocidad gobernada.
- **NO** modifique el generador de ninguna manera.

### **NOTA:**

Exceder la capacidad de potencia eléctrica/amperaje de los generadores podría dañar el generador y/o los dispositivos eléctricos conectados a él.

- **NO** exceda la capacidad de amperaje y potencia eléctrica del generador.
- Encienda el generador y deje que el motor se establezca antes de conectar las cargas eléctricas.
- Conecte las cargas eléctricas en la posición de apagado (OFF), y luego enciéndalo (ON) para ponerlo en funcionamiento.
- Apague (OFF) las cargas eléctricas y desconéctelas del generador antes de interrumpir el generador.

## NOTA:

Un trato inapropiado del generador podría dañarlo y acortarle la vida.

- Utilice el generador solo para usos intencionados.
- Si usted tiene dudas sobre el uso intencionado, pregunte al distribuidor o al centro de servicios locales.
- Haga funcionar el generador solo en superficies niveladas.
- **NO** esponga el generador a excesiva humedad, polvo, suciedad o vapores corrosivos.
- **NO** inserte objetos por las ranuras de refrigeración.
- Si los dispositivos conectados se calientan, apáguelos y desconéctelos del generador.
- Apague el generador si:
  - la potencia de salida eléctrica se ha perdido;
  - el equipo suelta chispas, humo o emite llamas;
  - la unidad vibra excesivamente.

## **⚠ ADVERTENCIA**

### Usos para soporte médico y vital.

- En caso de emergencia, llame inmediatamente al 911.
- **NUNCA** use este producto para aparatos de potencia para soporte vital o electrodomésticos de soporte vital.
- **NUNCA** use este producto para aparatos médicos de potencia o electrodomésticos médicos.
- Informe a su proveedor eléctrico inmediatamente si usted o alguien en su hogar depende de un equipo eléctrico para vivir.
- Informe a su proveedor eléctrico inmediatamente si una pérdida de potencia provocaría que usted o alguien en su hogar experimentase una emergencia médica.

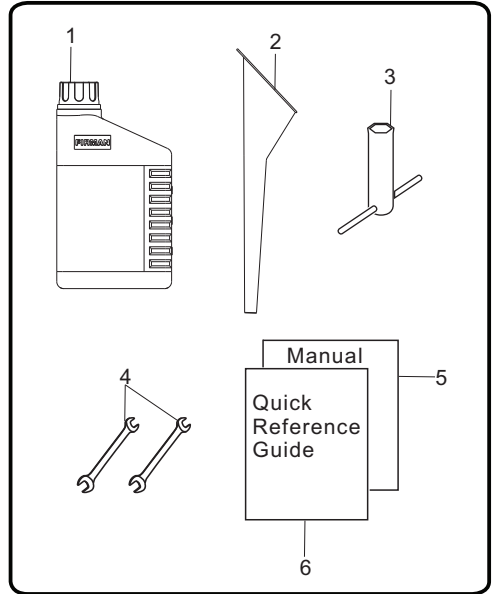
## DESEMPAQUETAR EL GENERADOR

- Abra la caja y retire los materiales del embalaje.
- Retire de la caja el generador, las cajas de los accesorios, y el libro. Si falta algún material o está dañado, contacte con nuestro departamento de servicio de producto al 1-844-347-6261.

## Piezas incluidas

Su generador de potencia de gasolina se envía con las siguientes piezas:

1. Aceite . . . . . 1
2. Embudo del aceite . . . . . 1
3. Llave inglesa para la bujía. . . . . 1
4. Llave en dos (10mm & 12mm). . . . . 2
5. Manual. . . . . 1
6. Guía de referencia rápida . . . . . 1



## RETIRAR LOS SOPORTES PARA EL ENVÍO

Antes de que pueda poner en marcha su nuevo generador, siga estas sencillas instrucciones:

**Los siguientes artículos deben ser retirados antes de poner en marcha su nuevo generador.**

Para proteger su generador, estos artículos han sido añadidos para garantizar una entrega segura del mismo.

### PRECAUCIÓN

**Si no retira estos artículos correctamente podría dañar su generador, causarle heridas personales e invalidar su garantía.**

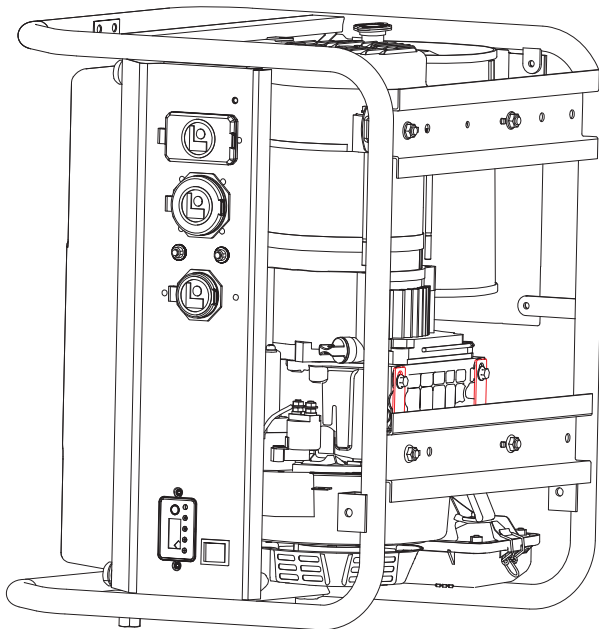
Consulte las siguientes instrucciones y las fotos de las instrucciones del encendido, para retirar los soportes (rojos) del motor adjuntos debajo del motor.

1. Antes de llenar de aceite el motor, incline la parte trasera del generador hacia el extremo del marco de retroceso, tal como se indica en la imagen. Coloque el generador encima de la caja de cartón aplanada o en otra superficie protectora.

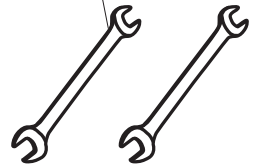
2. Quite los tornillos y las tuercas que se indican de los soportes rojos del motor. Puede utilizar las llaves correspondientes proporcionadas.

3. Puede deshacerse de los soportes, ya que no los va a necesitar más para un funcionamiento normal de su generador.

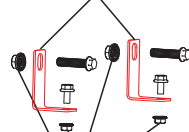
Su generador ya está listo para usarse. Consulte el manual del usuario para leer las instrucciones sobre el correcto llenado de aceite y el encendido.



Llaves Proporcionadas



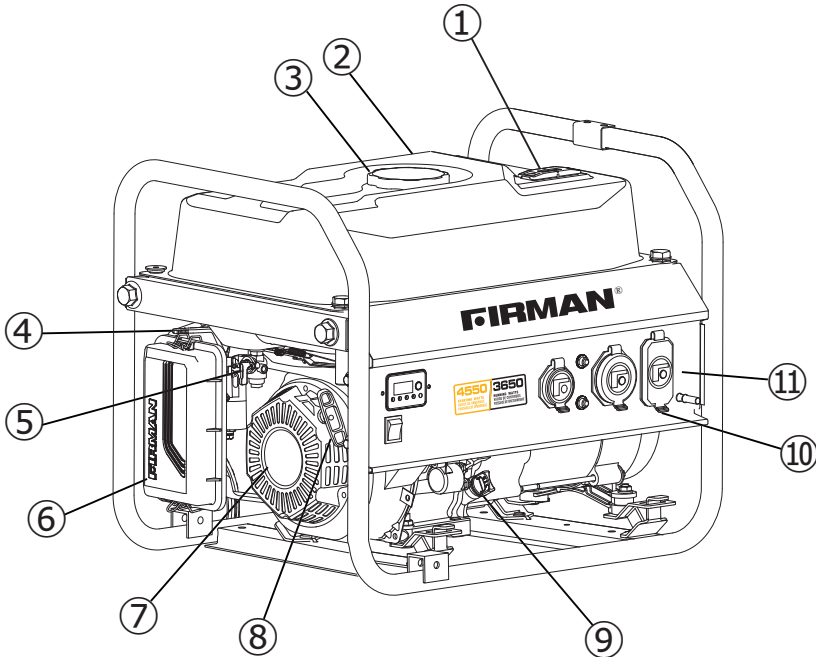
Soportes del Motores  
(Color rojo)



Quite Estos 4 Tuercas y  
Tornillos Como se Indica

# CONTROLES Y CARACTERÍSTICAS

## Generador



- 1-Medidor de combustible
- 2-Depósito de combustible con capacidad para 5.0galones
- 3-Tapón del combustible
- 4-Palanca del obturador
- 5-Válvula de combustible
- 6-Filtro de aire
- 7-Motor FIRMAN OHV 208cc
- 8-Interruptor de encendido de retroceso

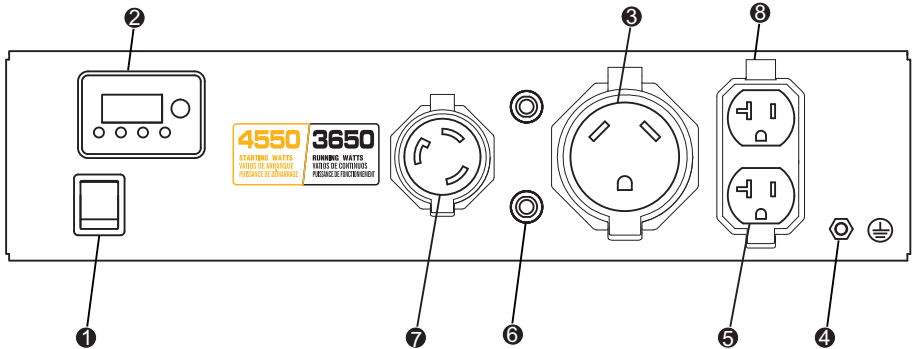
- 9-Tapón del depósito de aceite
- 10-Cubierta de salida
- 11-Panel de control

### NOTA:

Este modelo embarca desde la fábrica sin kit de ruedas. Para conseguir kit de ruedas y otros accesorios, visite a nuestra web [www.firmangenerators.com](http://www.firmangenerators.com) o lláma a servicio de cliente 1-844-347-6261 por favor.

\*Estamos siempre trabajando para mejorar nuestros productos. Por lo tanto, los productos puede diferir ligeramente de la imagen en esta página.

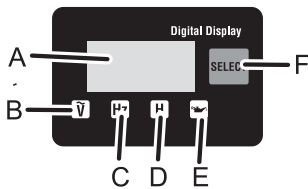
## Control Panel



### NOTA:

La potencia total recogida desde todos los receptáculos no debe ser superior a la potencia de la placa de identificación.

- ① **Interruptor del Motor** – Voltee el interruptor hacia la posición “ON”(I) y estire el interruptor de encendido de retroceso para encender el generador. Voltee hacia la posición “OFF”(O) para apagar el generador.
- ② **Medidor multi-monitor** – Pulse el botón SELECT para mostrar el Voltaje, los Hertz y las horas de funcionamiento. Si el indicador de bajo nivel de aceite está encendido, revise el nivel de aceite.
- ③ **120V, 30A Cierre de Giro** (NEMA L5-30R)
- ④ **Terminal de tierra** – Consulte con un electricista acerca del reglamento sobre tomas de tierra locales.
- ⑤ **Dúplex 120V, 20A** - (NEMA 5-20R) 20 Amps de corriente podrían recibirse en el receptáculo. Sin embargo, la potencia total debería mantenerse según la que se indica en la placa de identificación.
- ⑥ **Disyuntores** – Los receptáculos están protegidos por un protector de circuito de corriente alterna. Si el generador está sobrecargado o sucede un cortocircuito externo, el protector de circuito se activará. Si esto ocurre, desconecte todas las cargas eléctricas e intente determinar la causa del problema antes de intentar utilizar de nuevo el generador. Si la sobrecarga es la causante de que se active el protector de circuito, reduzca la carga.



- A - Pantalla digital
- B - Indicador de tensión de CA
- C - Indicador de frecuencia
- D - Indicador horario
- E - Alerta de lubricante bajo
- F - Botón de selección

- ③ **120V, 30ARV** (NEMA TT-30R)  
La corriente de carga llena máxima debe ser recibida desde este receptáculo. La corriente total debe limitarse a la de la potencia indicada en la placa de identificación. Si otros receptáculos se utilizan al mismo tiempo, la potencia total utilizada debe mantenerse según la potencia indicada en la placa identificativa.

**Nota: Una activación continuada del protector de circuito podría causar daños al generador o al equipo.** El protector de circuito puede ser reiniciado pulsando el botón del protector.

- ⑦ **120V, 30A Cierre de Giro** (NEMA L5-30R)  
La corriente de carga llena máxima debe ser recibida desde este receptáculo. La corriente total debe limitarse a la de la potencia indicada en la placa de identificación. Si otros receptáculos se utilizan al mismo tiempo, la potencia total utilizada debe mantenerse según la potencia indicada en la placa identificativa.
- ⑧ **Cubierta de salida** – Proteja los receptáculos del polvo y de los escombros.

## SPECIFICATIONS

Modelo	P03607
Vatios de encendido	4550
Vatios en funcionamiento	3650
Voltaje de CA catalogado	120V
Frecuencia catalogada	60Hz
Fase	Fase única
Regulador de voltaje	AVR
Factor de potencia	1
Tipo de alternador	Con Cepillo
Motor	FIRMAN
Tipo de motor	Cilindro único, 4-tiempos OHV Enfriamiento por Aire
Cilindrada	208cc
Apagado por nivel de aceite bajo	Yes
Sistema de encendido	Tipo de Encendido sin Ruptor, Flywheel Magneto
Sistema de arranque	Por Retroceso
Fuel Combustible	Gasolina Automotora sin Plomo
Capacidad del depósito para combustible	5.0 Gallon
Capacidad del Aceite lubricante	20.3 onzas (0.6L)
Tipo de carburador	Flotador
Filtro de aire	Tipo Poliuretano
Rotación de eje PTO (Toma de Fuerza)	Contar en el sentido de las agujas del reloj (frente a la Toma de Fuerza)
Tipo de aceite	Ver Sección "Añadir Aceite al Motor"
Bujía	TORCH F6RTC/NGK BPR6ES/CHAMPION RN9YC

### MENSAJE IMPORTANTE SOBRE LA TEMPERATURA:

Su Equipo de Potencia Firman está diseñado y catalogado para operaciones continuadas a una temperatura ambiente hasta los 40°C (104°F). Cuando sea necesario, su producto podría operar a temperaturas entre los -15°C (5°F) y los 50°C (122°F) por períodos cortos. Si el producto se expone a temperaturas fuera de este alcance durante el almacenamiento, se debería volver a su alcance de temperatura antes de ponerlo en funcionamiento. En cualquier situación, el producto debe hacerse funcionar siempre en el exterior, en un área bien ventilada y lejos de puertas, ventanas y otros conductos de ventilación.

- Cuando se hace funcionar con temperaturas superiores a los 77°F (25°C) podría haber una disminución de la potencia.
- El vatiaje y la corriente máximas están sujetos a y limitados por factores tales como el combustible, contenido de BTU, temperatura ambiente, altitud, condiciones del motor, etc. La potencia máxima disminuirá alrededor de un 3,5% por cada 1000 pies sobre el nivel del mar; y también disminuirá alrededor de un 1% por cada 10°F (-12,2°C) sobre 60°F (16°) de temperatura ambiente.

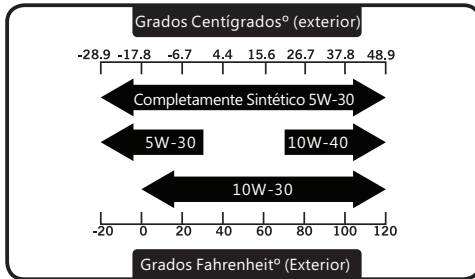
## AÑDIR ACEITE AL MOTOR

### ⚠ PRECAUCIÓN

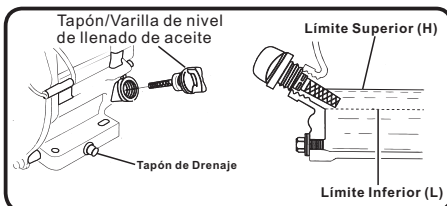
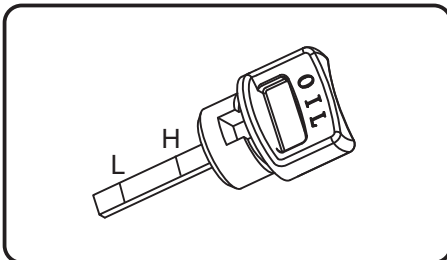
NO intente arrancar o encender el motor antes de que se haya llenado adecuadamente con el tipo y cantidad de aceite recomendados. Cualquier daño al generador como resultado de no haber seguido estas instrucciones invalidará su garantía.

### NOTE:

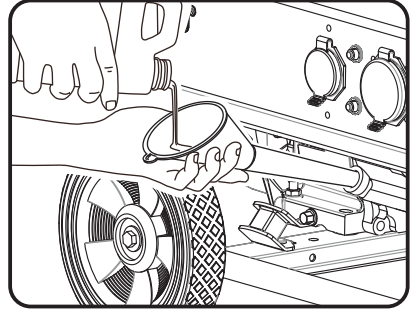
El tipo de aceite recomendado es el aceite automotor 10W-30. Sin embargo, la temperatura exterior determinará la viscosidad adecuada del aceite para el motor. Use la siguiente tabla para seleccionar el mejor para el alcance de temperatura exterior esperado.



1. Ponga el generador en una superficie llana y nivelada.
2. Limpie el área alrededor del llenado de aceite y retire el tapón/varilla de nivel de color amarillo de llenado de aceite.
3. Pásele un trapo a la varilla de nivel.



4. Con la ayuda de un embudo para aceite, vaya vertiendo el contenido de la botella de aceite proporcionada en la apertura de llenado de aceite hasta llegar a la marca "H" de la varilla de nivel. Tenga cuidado de no llenarlo demasiado. Llenarlo demasiado podría provocar que el motor no arranque o arranque con dificultades.



5. Vuelva a poner el tapón/varilla de nivel y asegúrelo completamente.
6. El nivel de aceite debería ser revisado antes de cada uso o al menos cada 8 horas de funcionamiento. Realice un buen mantenimiento del nivel de aceite.

### ⚠ PRECAUCIÓN

El motor está equipado con un sistema de apagado por bajo nivel de aceite, por lo tanto, se apagará cuando el nivel de aceite en el cárter descienda por debajo del umbral.

### NOTA:

Consideramos que las 5 primeras horas de funcionamiento son el período de rodaje para la unidad. Durante el período de rodaje, mantenga el ratio de vatios durante el funcionamiento al 50% o por debajo, y cambie la carga ocasionalmente para permitir que las bobinas del estátor se calienten y se enfríen.

### Apagado por Bajo Nivel de Aceite

Esta unidad está equipada con un sistema de apagado por bajo nivel de aceite. Si el nivel de aceite pasa a ser inferior al nivel requerido, el sensor activará un dispositivo de advertencia o parará el motor.

Si el generador se apaga y el nivel de aceite está dentro de las especificaciones, compruebe que el generador esté colocado en un ángulo que permita que el aceite se mueva. Colóquelo en una superficie uniforme para corregirlo. Si el motor no se enciende, podría ser que el nivel de aceite no sea suficiente para desactivar el interruptor del nivel bajo de aceite. Asegúrese de que el cárter está completamente lleno de aceite.

## AÑADIR COMBUSTIBLE

El combustible debe cumplir con los siguientes requisitos:

- Gasolina limpia, nueva, y sin plomo.
- Utilice gasolina SIN PLOMO regular con el motor del generador con un mínimo de 87 octanos /87 AKI (91 RON). Para un uso a gran altitud, lea "Funcionamiento a gran altitud".
- **No** use gasolina con más de un 10% de alcohol como E85 o etanol.

**NOTA:** Evitar daños al generador.

No seguir o no seguir correctamente las recomendaciones para combustible del Manual del Operador invalidará la garantía.

- **NO** usar gasolina no aprobada, como la E85.
- **NO** mezclar aceite en la gasolina.
- **NO** modificar el motor para que funcione con combustibles alternados.

### ADVERTENCIA



El combustible y su vapor son extremadamente inflamables y explosivos, y podrían provocar quemaduras, incendios o explosiones resultando en muerte, o heridas graves y/o daños en la propiedad.

## AÑADIR COMBUSTIBLE

- Rellene el depósito de combustible en el exterior.

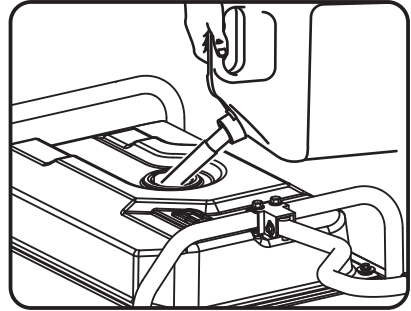


**NO** llene demasiado el depósito. Deje espacio para la expansión del combustible. Si el depósito está demasiado lleno, el combustible puede derramarse encima de un motor caliente y provocar un incendio o explosión. Limpie cualquier resto de combustible derramado inmediatamente.

- Si el combustible se derrama, espere hasta que se haya evaporado antes de encender el motor.
- Mantenga el combustible lejos de chispas, llamas abiertas, luces piloto, calor y otras fuentes de ignición.
- Revise frecuentemente las líneas, el depósito, el tapón y los accesorios del combustible y compruebe que no haya grietas o escapes. Reemplázelo si es necesario.



1. Limpie el área alrededor del tapón de llenado de combustible, retire el tapón.
2. Añada lentamente combustible sin plomo al depósito de combustible. Tenga cuidado de no llenar por encima del indicador de nivel de color rojo. Esto le permite adecuar el espacio para la expansión del combustible.
3. Ponga el tapón de combustible y espere a que cualquier resto de combustible derramado se evapore antes de arrancar el motor, o limpie cualquier resto de gasolina derramado.



### PRECAUCIÓN

- Añada lentamente gasolina sin plomo al depósito de combustible.
- No llene demasiado el depósito.
- No llene el depósito por encima de la parte superior de la pantalla del combustible. Esto se expandirá cuando haga mucho calor y previene que se desborde.



## Operation at High Altitude

A altitudes de más de 5000 pies (1524 metros), es aceptable gasolina de 85 octanos mínimo / 85 AKI (89 RON).

La densidad del aire a grandes altitudes es más baja que al nivel del mar. La potencia del motor se reduce a medida que la masa del aire y el índice aire-combustible disminuyen.

La potencia del motor y la salida del generador se reducirán aproximadamente un 3,5% por cada 1000 pies de elevación por encima del nivel del mar. Ésta es una tendencia natural que no puede modificarse ajustando el motor. A grandes altitudes las emisiones del tubo de escape aumentadas también pueden ocurrir a causa del enriquecimiento aumentado del índice de combustible en el aire.

Entre otros problemas causados por gran altitud también se pueden dar: dificultad en el arranque, aumento del consumo de combustible y ensuciamiento de la bujía. Para paliar problemas por la gran altitud, además de la pérdida de potencia natural, FIRMAN puede facilitar un reactor principal de carburador de gran altitud.

El reactor principal alternativo y las instrucciones de instalación se pueden obtener contactando con el Servicio al Cliente. Las instrucciones de instalación también están disponibles en el apartado del Boletín Técnico en la página web de FIRMAN. El número de la pieza y la altitud mínima recomendada para el uso del reactor principal de carburador de gran altitud lo encontrará en la tabla que hay a continuación.

	208cc	Altitud
Reactor principal de Altitud 1	335717002	3000-6000Pies
Reactor principal de Altitud 2	335717003	6000-8000Pies

### **ADVERTENCIA**

Un funcionamiento usando el reactor principal alternativo a alturas inferiores a la altitud mínima recomendada podría dañar el motor. Para operaciones a alturas inferiores, se debe usar el reactor principal estándar. Hacer funcionar el motor con la configuración de motor errónea a una altitud dada, puede aumentar sus emisiones y disminuir el rendimiento y resultado del combustible.

### **Toma de Tierra**

El Código Eléctrico Nacional requiere que su generador esté correctamente conectado a una toma de tierra adecuada para ayudar a prevenir una descarga eléctrica.

### **ADVERTENCIA**



Un fallo en la toma de tierra del generador podría resultar en una descarga eléctrica.

En el panel de control se proporciona una terminal de toma de tierra conectada al marco del generador. Para una toma de tierra apartada, conecte la longitud de un cable de cobre de calibre grueso (mínimo 12 AWG) entre la terminal de toma de tierra del generador y una vara de cobre que conduzca a la tierra. Le recomendamos encarecidamente que consulte con un electricista calificado para garantizar el cumplimiento con los códigos eléctricos locales.

**HAY UN CONDUCTOR PERMANENTE ENTRE EL GENERADOR (BOBINA DEL ESTÁTOR) Y EL MARCO.**

### **Conectar al Sistema Eléctrico del Edificio**

Las conexiones para la potencia de reserva al sistema eléctrico de un edificio deben ser realizadas por un electricista calificado. La conexión debe aislar la potencia del generador de la potencia de los servicios públicos o de otras fuentes de potencia alternativas, y debe cumplir con todas las leyes y códigos eléctricos aplicables.

### **ADVERTENCIA**



El voltaje del generador podría causar descargas eléctricas o incendios resultando en muerte o heridas graves.

- Use un equipo de transferencia homologado, con tal de prevenir retroalimentación por separar el generador de los operarios eléctricos.
- Cuando utilice el generador como energía de reserva, notifíquelo a la empresa eléctrica.
- No usar un interruptor de circuito con falla a tierra (GFCI de las siglas en inglés) en ningún área húmeda o altamente conductora, como entablados de metal u obras de acero.
- NO tocar cables o receptáculos pelados.
- NO usar el generador con cables eléctricos que estén gastados, desgastados, pelados o dañados de algún modo.
- NO hacer funcionar el generador bajo la lluvia o con mucha humedad.
- NO manipular el generador o los cables eléctricos si está de pie encima del agua, con los pies descalzos o cuando las manos o los pies estén mojados.
- NO permita a personas no calificadas o a niños hacer funcionar o servir el generador.

## FUNCIONAMIENTO

### Ubicación del Generador

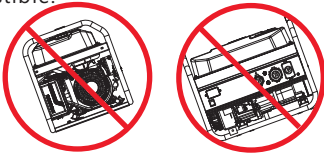
#### **⚠ ADVERTENCIA**

Asegúrese de repasar todas las advertencias para prevenir riesgo de incendio.

- Mantenga el área alejada de materiales inflamables u otros materiales peligrosos.
- Escoja un lugar seco, bien ventilado y protegido de la intemperie.
- Mantenga el tubo de escape alejado de objetos extraños.
- Mantenga el generador lejos de llamas abiertas.
- Mantenga el generador encima de una superficie estable y nivelada.

#### **⚠ PRECAUCIÓN**

Inclinarlo podría causar derramamiento de combustible.



- No bloquee el conducto de ventilación del generador con papel u otro material.

#### **⚠ PELIGRO**

Utilizar un generador en el interior PUEDE MATARLE EN CUESTIÓN DE MINUTOS.  
El tubo de escape del generador contiene monóxido de carbono. Se trata de un gas tóxico que no se ve ni se huele.



**NUNCA** lo use en el interior de una casa o de un garaje, **INCLUSO** SI las puertas o las ventanas están abiertas.



Utilizar solo en **EL EXTERIOR** y lejos de ventanas, puertas y conductos de ventilación.

Evitar otros peligros del generador.  
**LEA EL MANUAL ANTES DE USAR.**

#### **⚠ ADVERTENCIA**

### PELIGRO POR GAS TÓXICO



El tubo de escape del motor contiene monóxido de carbono, un gas tóxico que podría causarle la muerte en cuestión de minutos. **NO PUEDE** olerlo, verlo, o notarlo al gusto. Incluso si usted no huele gases de escape, podría estar expuesto al gas de monóxido de carbono de todas formas.

- Utilizar este producto **SOLO** en el exterior y lejos de ventanas, puertas y conductos de ventilación para reducir el riesgo de que el gas monóxido de carbono se acumule y sea conducido potencialmente hacia espacios ocupados.
- Instale alarmas de monóxido de carbono a batería o alarmas de monóxido de carbono con enchufe y con batería de seguridad según las instrucciones del fabricante. Las alarmas de humo no pueden detectar el gas de monóxido de carbono.
- **NO** haga funcionar este producto dentro de casas, garajes, sótanos, sótanos de poca altura, cobertizos u otros espacios parcialmente cerrados, aunque tenga ventiladores o puertas y ventanas abiertas para ventilar. El monóxido de carbono puede aumentar rápidamente en estos espacios y puede permanecer durante horas, incluso una vez apagado este producto.
- **SIEMPRE** coloque este producto en la dirección del viento y situando el tubo de escape del motor lejos de espacios ocupados. Si se empieza a encontrar mal, mareado o débil durante la utilización de este producto, apáguelo y salga a tomar aire fresco **INMEDIATAMENTE**. Visite a un médico. Usted podría haberse intoxicado por monóxido de carbono.

### Protección contra Sobrecargas

#### **⚠ PRECAUCIÓN**

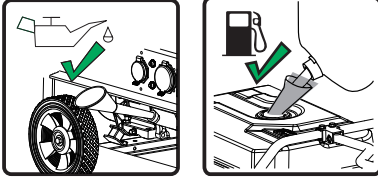
La fluctuación del voltaje podría perjudicar un correcto funcionamiento de equipos electrónicos sensibles.

Los dispositivos electrónicos, incluyendo ordenadores y muchos aparatos programables utilizan componentes que están diseñados para operar con un rango de voltaje reducido, y podrían verse afectados por fluctuaciones de voltaje momentáneas. Si no hay ningún método para prevenir fluctuaciones de voltaje, puede tomar medidas para proteger los equipos electrónicos sensibles.

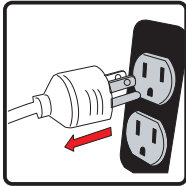
Instale supresores de sobrecarga UL 1449, listados por la CSA, para enchufar a las tomas de corriente de forma que alimenten su equipo sensible. Los supresores de sobrecarga vienen o bien en un formato único o de varias tomas de corriente. Están diseñados para proteger contra prácticamente todas las fluctuaciones de voltaje de duración corta.

## Starting the Generator

1. Antes de arrancar el generador, compruebe que no haya partes sueltas, que falten o algún tipo de daño ocasionado durante el envío.
2. Compruebe el nivel de aceite y carburante.



3. Desconecte toda carga eléctrica del generador. Nunca arranque o pare el generador si hay dispositivos eléctricos enchufados o conectados.



4. Ponga la válvula del carburante en posición "ON(I)".



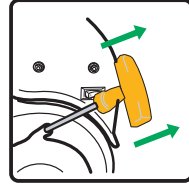
5. Gire el interruptor del motor hacia la posición "ON(I)".



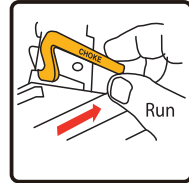
6. Mueva la palanca del estrangulador hacia la posición "CHOKE".



7. Tire lentamente de la cuerda de arranque hasta que note resistencia, luego tira rápidamente.



8. No lo sobre-estrangule. Tan pronto como arranque el motor y se caliente, mueva la palanca del estrangulador hacia la posición "RUN".



9. Deje que el generador funcione sin carga durante cinco minutos en cada arranque inicial para que el generador se estabilice.

### ⚠ ADVERTENCIA



El retroceso del cable de arranque (retracción rápida) estirará la mano y el brazo hacia el motor muy rápido y antes de que usted lo pueda soltar, lo cuál podría causar huesos rotos, fracturas, moratones o esguinces, resultando en heridas graves..

Cuando arranque el motor, tire lentamente de la cuerda hasta que note resistencia y luego tire rápidamente para evitar el retroceso.

### NOTA:

Mantenga la palanca del estrangulador en posición "CHOKE" por sólo un tirón del arrancador de retroceso. Tras el primer tirón, mueva la palanca del estrangulador a la posición "RUN" para los 3 tirones siguientes del arrancador de retroceso. Estrangularlo demasiado lleva a un ensuciamiento de la bujía/inundación del motor debido a la falta de entrada de aire. Eso hará que no arranque el motor.

### NOTA:

Si el motor arranca tras 3 tirones pero no llega a ponerse en marcha, o si la unidad se apaga durante el funcionamiento, asegúrese de que la unidad esté en una superficie plana y compruebe que el nivel de aceite sea correcto en la caja del cárter. Puede que esta unidad esté equipada con un dispositivo de protección en caso de nivel bajo de aceite. De ser así, el aceite debe estar al nivel adecuado para que arranque el motor.

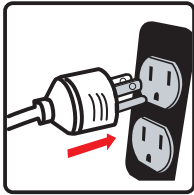
## Conexión de Cargas Eléctricas

Esta unidad ha sido testada y ajustada para soportar su capacidad máxima. Antes de arrancar el generador, desconecte todas las cargas. Aplique las cargas sólo cuando el generador ya esté funcionando. El voltaje se regula mediante la velocidad del motor que se ajusta en fábrica para conseguir un rendimiento correcto. Los reajustes anulan la garantía.

### **⚠ PRECAUCIÓN**

Cuando se aplique una carga, no exceda la potencia máxima del generador cuando use uno o más receptáculos. Asimismo, no exceda el emperaje de ninguno de los receptáculos. No aplique cargas eléctricas pesadas durante el período de rodaje inicial (las dos o tres primeras horas de operaciones).

1. Deje que el motor se estabilice y se caliente durante unos minutos tras el arranque.
2. Asegúrese de que el cortacircuitos en el panel de control está en posición "on".
3. Enchufe y encienda las cargas eléctricas deseadas de 120 y 240 voltios AC, fase única, 60Hz.

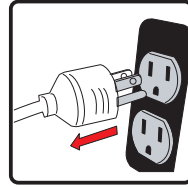


### **NOTA:**

Conectar un generador al tendido de su empresa de electricidad o a otra fuente de energía puede estar en contra de la ley. Además esta acción, si no se hace correctamente, puede dañar su generador y aparatos y le podría provocar heridas graves o incluso la muerte a usted o a un usuario de la empresa que pueda estar trabajando cerca del tendido. Si planea utilizar un generador eléctrico durante un apagón, por favor notifíquelo a su empresa eléctrica inmediatamente y recuerde enchufar sus aparatos directamente al generador. No enchufe el generador a ninguna toma eléctrica en su casa. Eso podría crear una conexión al tendido de la empresa eléctrica. Es su responsabilidad asegurar que su generador eléctrico no se retroalimenta de las líneas eléctricas del servicio público. Si el generador estará conectado a un sistema eléctrico de un edificio, consulte a su compañía local de servicios públicos o a un electricista calificado. Las conexiones deben aislar la energía del generador de la energía de la red y deben cumplir con todas las leyes y códigos aplicables.

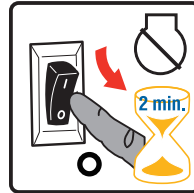
## Parada del Motor

1. Retire las cargas eléctricas enteras. Nunca arranque o pare el generador si hay dispositivos eléctricos enchufados o conectados.



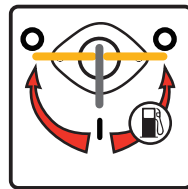
Deje que el generador funcione sin carga unos minutos para estabilizar las temperaturas internas del motor y el generador.

2. Mueva la válvula de carburante hacia la posición "OFF(O)".



Deje que funcione el motor hasta que la falta de combustible lo pare. Este proceso a menudo lleva unos minutos.

3. Pulse el interruptor del motor a la posición "OFF(O)".



Si se utiliza una cubierta, no la intale hasta que la unidad se haya enfriado.

### **⚠ ADVERTENCIA**



El carburante y sus vapores son extremadamente inflamables y explosivos, lo cual podría ocasionar quemaduras, fuego o explosiones causando la muerte, heridas graves y/o daños en la propiedad.

---

NO pare el motor poniendo el control del estrangulador en posición “**CHOKE**”

**Importante:** Asegure siempre que la Válvula del Carburante y el Interruptor del Motor esten en posición “OFF” cuando el motor no esté en uso.

**NOTA:**

Si el motor no se utiliza durante un periodo de dos semanas o más, por favor vea la sección de Almacenamiento para un almacenamiento adecuado del motor y el carburante.

**Desconexión por Nivel de Aceite Bajo**

Si el nivel de aceite del motor baja del nivel preestablecido, un interruptor del aceite parará el motor. Compruebe el nivel del aceite con una varilla medidora.

Si el nivel de aceite está entre la marca de LOW y HIGH en la varilla medidora:

- 1.NO intente arrancar el motor.
- 2.Contacte con un Servicio Distribuidor autorizado de FIRMAN.
- 3.NO utilice el motor hasta que el nivel de aceite sea correcto.

Si el nivel de aceite está por debajo de la marca LOW en la varilla medidora:

- 1.Añada aceite hasta llegar al nivel de la marca HIGH.
- 2.Reinicie el motor y si el motor se para de nuevo puede que aún exista una condición de aceite bajo. NO intente arrancar el motor de nuevo.
- 3.Contacte con un servicio de Distribución autorizado FIRMAN.
- 4.NO utilice el motor hasta que el nivel de aceite sea correcto.

**No Sobrecargue el Generador**

Sobrecargar el generador por encima de su capacidad de potencia nominal puede causar daños en el generador y a los dispositivos eléctricos conectados.

Para prolongar la vida de su generador y los dispositivos conectados, siga estos pasos para añadir carga eléctrica:

1. Arranque el generador sin cargas eléctricas conectadas.
2. Permita que el motor funcione durante unos minutos para que se estabilice.
3. Enchufe y encienda el primer dispositivo. Es mejor conectar primero el dispositivo con la mayor carga.
4. Permita que se estabilice el motor.
5. Enchufe y encienda el siguiente dispositivo.
6. Permita que el motor se estabilice.
7. Repita los pasos 5-6 para cada dispositivo adicional.

# MANTENIMIENTO Y ALMACENAMIENTO

## PROGRAMA DE MANTENIMIENTO

ITEM	OBSERVACIONES	A diario (Antes de usar)	Primeras 25 horas	Cada 50 horas	Cada 100 horas (o anualmente)
Bujía	Comprobar el estado. Ajustar la separación y limpiar. Cambiar si es necesario.				✓
Aceite del motor	Comprobar el nivel de aceite.	✓			
	Reemplazar.		✓		✓
Filtro de aire	Limpiar, reemplazar si es necesario.			✓	
Filtro de Carburante	Limpiar el filtro de carburante y el colador del depósito de combustible.				✓
Línea de combustible	Comprobar que no haya grietas u otros daños en la manguera de carburante. Reemplazar si es necesario.	✓			
Sistema de escape	Comprobar que no haya fugas. Volver a ajustar o reemplazar la junta si es necesario.	✓			
	Revisar la rejilla del apagachispas. Limpiar/Reemplazar si es necesario.				✓
Carburador	Revisar el funcionamiento del estárter.	✓			
Sistema de arrancado	Comprobar el funcionamiento del arrancador de retroceso.	✓			
Accesorios /Cierres	Revisar. Reemplazar si es necesario.				✓

### Recomendaciones Generales

Un mantenimiento regular mejorará el rendimiento y prolongará la vida del generador. Busque el servicio de cualquier distribuidor autorizado.

La garantía del generador no cubre las piezas que hayan sido sometidas a abuso o negligencia por parte del operador. Para recibir el valor total de la garantía, el operador debe mantener el generador como se indica en el manual.

Algunos ajustes deberán llevarse a cabo periódicamente para mantener su generador adecuadamente. Todo servicio y ajustes deberían llevarse a cabo por lo menos una vez por temporada. Siga los requisitos en el Programa de Mantenimiento del cuadro de arriba.

**Aviso:** Una vez al año debería limpiar o reemplazar la bujía y reemplazar el filtro de aire. Las bujías nuevas y los filtros de aire limpios aseguran una mezcla de carburante y aire adecuada y ayudan a su motor a funcionar mejor y más tiempo.

## MANTENIMIENTO DEL MOTOR

Para evitar el arrancado accidental, quite y ponga en el suelo el cable de la bujía antes de realizar cualquier servicio.

### Cambiar el Aceite del Motor

Cambie el aceite del motor cada 100 horas.

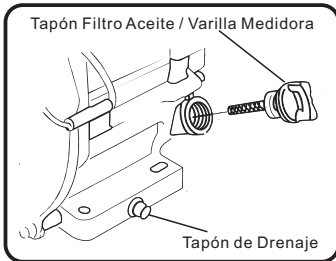
(para motores nuevos, cambie el aceite cada 25 horas.)

Si utiliza su generador bajo condiciones de suciedad o polvo extremo, o bajo calor extremo, cambie el aceite más a menudo.

### ⚠ PRECAUCIÓN

Evite el contacto prolongado o repetitivo con la piel con el aceite de motor.

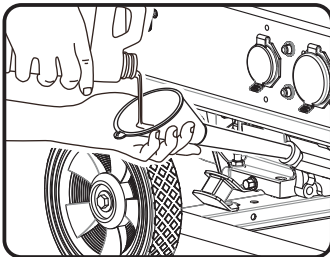
- Se ha comprobado que el aceite de motor usado causa cáncer en ciertos animales de laboratorio.
  - Lave bien las zonas expuestas con agua y jabón.
- (a) Vacíe el aceite quitando el tapón de drenaje y el tapón de llenado de aceite mientras el motor está caliente.



### NOTA:

Por favor utilice un contenedor para vaciar el aceite usado para proteger el medio ambiente.

(b) Vuelva a instalar el tapón de drenaje y a llenar el motor con aceite hasta que alcance el nivel ALTO(H) del tapón del depósito de aceite.



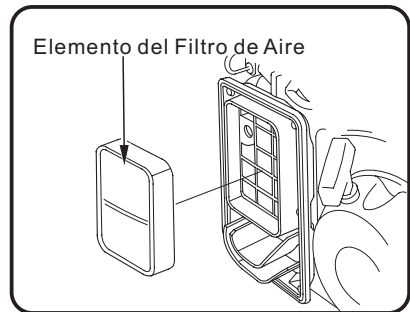
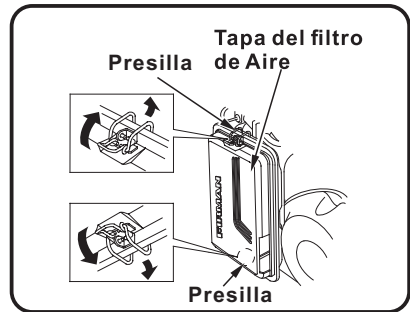
- Utilice lubricante nuevo y de alta calidad en la cantidad especificada.

Si se utiliza aceite contaminado o deteriorado o si la cantidad del aceite del motor no es suficiente, el motor será dañado y se acortará su vida.

### Mantenimiento del Filtro de Aire

Mantener el filtro de aire en condiciones adecuadas es muy importante. La suciedad inducida mediante instalación incorrecta, servicio incorrecto, o elementos inadecuados daña y desgasta los motores. Mantenga siempre los elementos limpios.

(a) Saque el filtro de aire, límpielo bien con queroseno y séquelo.



(b) Después de mojar el elemento con aceite de motor limpio, apriételo con fuerza con la mano.

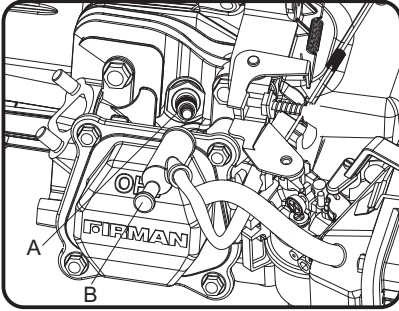


(c) Finalmente, ponga el elemento en la caja y instálelo de forma segura.

## Mantenimiento de La Bujía

Cambiar la bujía hará que su motor arranque con más facilidad y funcione mejor.

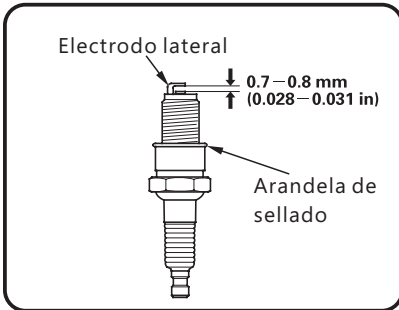
- Quite el tapón de la bujía.
- Quite el tapón de la bujía con la llave proporcionada.



A- Bujía

B- Tapón de la bujía

- Inspeccione la bujía en busca de daños y límpiela con un cepillo de alambre antes de reinstalarla.
- Ajuste la distancia entre electrodos a 0.7 a 0.8mm (0.028" a 0.031").
- Ponga la bujía en posición y enrosque a mano para prevenir el enroscado cruzado.
- Apriete el tapón con la llave proporcionada y ponga la tapa en la bujía.

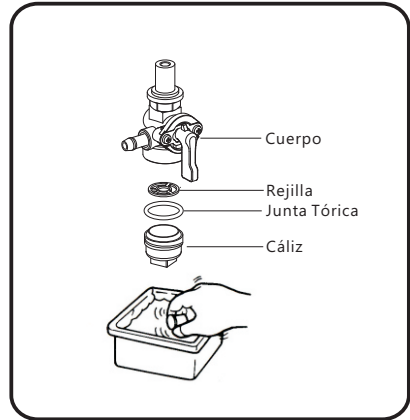


BUJÍA: TORCH F6RTC  
NGK BPR6ES  
CHAMPION RN9YC equivalente.

## LIMPIEZA DEL FILTRO DE CARBURANTE

Suciedad y agua en el carburante se eliminan mediante el filtro de carburante.

- Quite el cáliz del filtro y tire el agua y la suciedad.
- Limpie las rejillas y el cáliz del carburante con gasolina.
- Ajuste bien el cáliz al cuerpo principal, asegurándose que se evita cualquier fuga de carburante.



## Inspeccionar el Silenciador Y el Apagachispas

Inspeccione el silenciador en busca de grietas, corrosión u otros daños. Quite el apagachispas, si está instalado, e inspeccione en busca de daños u obstrucción de carbono. Si se necesitan piezas de repuesto, asegúrese de que sólo usa piezas de repuesto del equipamiento original.

### ⚠ ADVERTENCIA



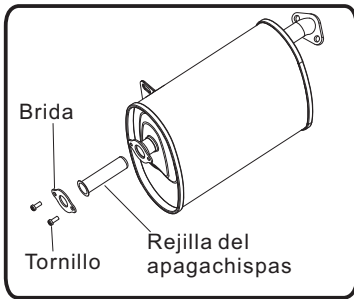
El calor y los gases de escape podrían encender materiales combustibles, estructuras o dañar el depósito de carburante provocando un incendio, causando la muerte o heridas graves y/o daños en la propiedad. El contacto con la zona del silenciador podría provocar quemaduras causando heridas graves.

- NO toque las parts calientes y EVITE los gases calientes de escape.
- Deje que el equipamiento se enfríe antes de tocarlo.
- Mantenga por lo menos 1.5m de espacio libre alrededor del generador incluyendo la parte de arriba.
- Los repuestos deben ser iguales e instalarse en la misma posición que las piezas originales.

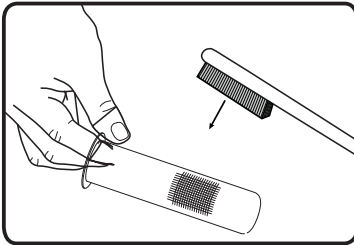
### Limpiar o reemplazar el apagachispas de la siguiente manera:

Dependiendo del tipo de carburante utilizado, el tipo y cantidad de lubricante, y/o condiciones operativas, la pieza del tubo de escape y el silenciador pueden bloquearse con restos de carbón. Si nota una pérdida de energía, podría tener que quitar los restos para recuperar el rendimiento.

1. Deje que el motor se enfríe completamente antes de dar servicio al apagachispas.
2. Quite los tornillos fijando bien el apagachispas en su sitio y luego sáquelo del silenciador.



3. Retire cuidadosamente los restos de carbono de la rejilla del apagachispas con un cepillo de alambre.



4. Reemplace el apagachispas si está dañado.
5. Posicione el apagachispas en el silenciador y adjúntelo con los tornillos.

### ⚠ PRECAUCIÓN

Si no se limpia el apagachispas, el rendimiento del motor se degradará.

## MANTENIMIENTO DEL GENERADOR

Asegúrese de que el generador se mantiene limpio y almacenado correctamente. Haga funcionar la unidad sólo en una superficie plana y nivelada en un ambiente operativo limpio y seco. **NO** exponga la unidad a condiciones extremas, polvo excesivo, suciedad, humedad o vapores corrosivos.

### ⚠ PRECAUCIÓN

**NO** utilice una manguera de jardín para limpiar el generador. El agua podría entrar en el generador a través de las ranuras de refrigeración y dañar las bobinas del generador.

Utilice un paño húmedo para limpiar las superficies exteriores del generador.

Use un cepillo de púas suaves para eliminar la suciedad y el aceite. Use un compresor de aire (25 PSI) para despejar la suciedad y los desechos del generador.

Revise todos los orificios y ranuras de refrigeración para asegurar que están limpias y despejadas.

## SERVICIO Y ALMACENAMIENTO

### SERVICIO INFRECUENTE

Si la unidad se utiliza de forma infrecuente, podría resultar en un encendido dificultoso. Para eliminar el encendido dificultoso, siga las siguientes instrucciones:

1. Encienda el generador al menos 30 minutos cada mes.
2. Encienda el generador, entonces apague la válvula de cierre de combustible y deje funcionar la unidad hasta que pare el motor.
3. Ponga el interruptor del motor en posición "OFF" (apagado).

### ALMACENAMIENTO DE LARGO PLAZO

Cuando el conjunto del generador no ha sido utilizado o ha estado almacenado durante más de un mes, siga las siguientes instrucciones:

1. Rellene el aceite del motor hasta el nivel superior.
2. Ponga en marcha el generador, cierre la válvula de cierre de combustible y deje funcionar la unidad hasta que pare el motor.
3. Ponga el interruptor del motor en posición "OFF" (apagado).
4. Cuando la unidad se haya enfriado, vacíe la gasolina del depósito de combustible, de la línea del combustible y del carburador.
5. Vierta el contenido aproximado de una cucharita de café de aceite del motor a través del agujero de la bujía, y estire el interruptor de arranque de retroceso varias veces, y sustituya el interruptor. Entonces, estire el interruptor de arranque hasta que note que el pistón está en su tiempo de compresión, y déjelo en esta posición. Ésto cerrará las válvulas de entrada y de salida y previene que el cilindro interior se oxide.
6. Cubra la unidad y almacénela en un lugar limpio y seco, que esté bien ventilado y lejos de llamas abiertas o chispas.

### NOTA:

Le recomendamos que utilice siempre un estabilizador de combustible. Un estabilizador de combustible minimizará la formulación de restos de goma de combustible durante el almacenamiento. El estabilizador de combustible se puede añadir a la gasolina en el depósito de

combustible, o bien a la gasolina dentro de un contenedor de almacenamiento.

### NUNCA USE AGUA PARA LIMPIAR EL GENERADOR

- Estire la manivela de arranque hasta que note resistencia, y deje la manivela en esta posición.
- Almacene el generador en un área bien ventilada y con poca humedad.

### ADVERTENCIA

El tubo de escape del generador contiene gas de monóxido de carbono inodoro e incoloro.

Para evitar encendidos accidentados o no intencionados de su generador durante períodos de almacenamiento, deberá seguir las siguientes instrucciones:

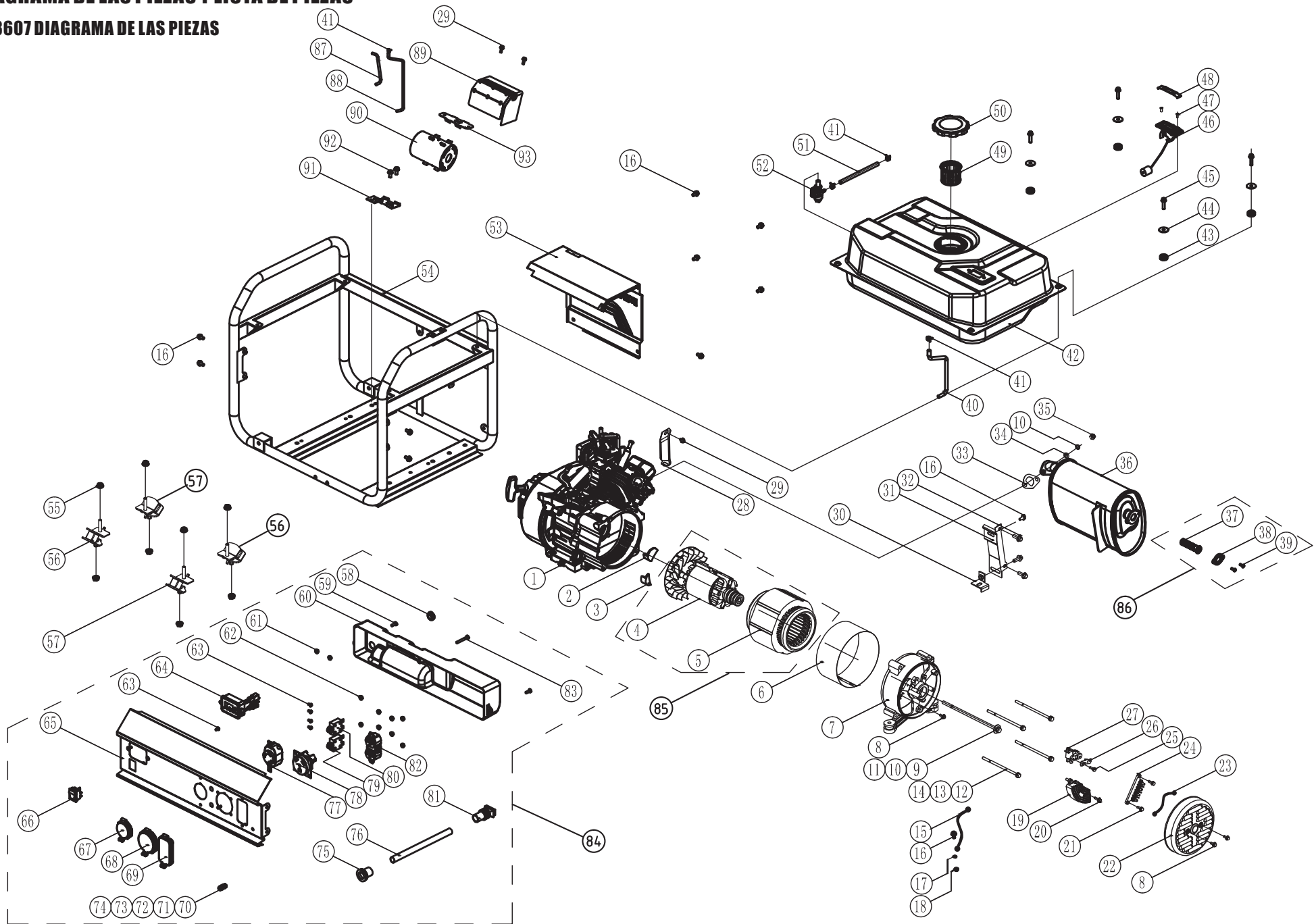
Durante el almacenamiento del generador para períodos de tiempo tanto cortos como prolongados, asegúrese de que el interruptor del motor y la válvula del combustible están en la posición OFF (apagado).

## LOCALIZACIÓN Y RESOLUCIÓN DE PROBLEMAS

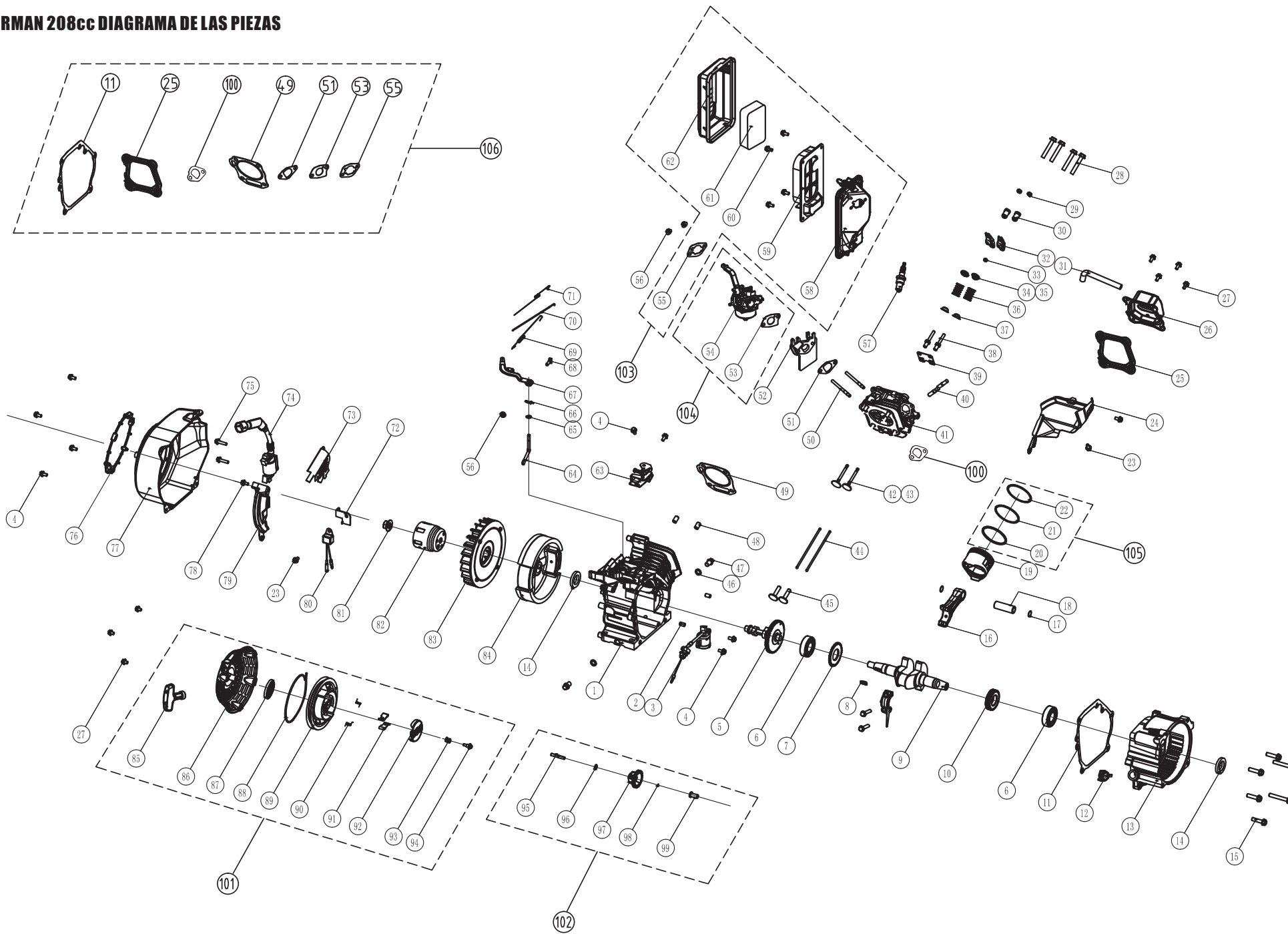
Problema	Motivo	Corrección
<b>El motor funciona, pero no hay ninguna salida de CA disponible.</b>	<ol style="list-style-type: none"> <li>1. El cortacircuitos está abierto.</li> <li>2. Desperfecto en el generador.</li> <li>3. Mala conexión o conjunto de cuerdas defectuoso.</li> <li>4. El dispositivo está mal conectado.</li> </ol>	<ol style="list-style-type: none"> <li>1. Reinicie el cortacircuitos.</li> <li>2. Contacte con instalación de servicio autorizado.</li> <li>3. Revise y repare.</li> <li>4. Conéctelo a otro dispositivo que esté en buenas condiciones.</li> </ol>
<b>El motor funciona bien sin carga pero funciona con dificultades cuando las cargas están conectadas.</b>	<ol style="list-style-type: none"> <li>1. Cortocircuito en una carga conectada.</li> <li>2. La velocidad del motor es demasiado lenta.</li> <li>3. El generador está sobrecargado.</li> <li>4. El circuito del generador se ha cortado.</li> <li>5. El filtro del combustible está obstruido o sucio.</li> </ol>	<ol style="list-style-type: none"> <li>1. Desconecte la carga eléctrica cortada.</li> <li>2. Contacte con servicio de instalación autorizado.</li> <li>3. Lea el apartado "No sobrecargue el generador".</li> <li>4. Contacte con instalación de servicio autorizado.</li> <li>5. Limpie o reemplace el filtro de combustible.</li> </ol>
<b>El motor no se enciende; se enciende y funciona de forma irregular o se apaga cuando está en funcionamiento</b>	<ol style="list-style-type: none"> <li>1. El interruptor del motor está en posición OFF (O).</li> <li>2. La palanca de interrupción de combustible está en posición OFF (O).</li> <li>3. Nivel bajo de aceite.</li> <li>4. Filtro de aire sucio.</li> <li>5. Sin combustible.</li> <li>6. Combustible obsoleto.</li> <li>7. El cable de la bujía no está conectado a la bujía.</li> <li>8. Bujía en mal estado.</li> <li>9. Agua en el combustible.</li> <li>10. Inundado.</li> <li>11. Mezcla de combustible demasiado abundante.</li> <li>12. La válvula de entrada está atascada, abierta o cerrada.</li> <li>13. El motor ha perdido compresión.</li> <li>14. Filtro obstruido o sucio.</li> </ol>	<ol style="list-style-type: none"> <li>1. Ponga el interruptor del motor en posición ON (I).</li> <li>2. Ponga la palanca de interrupción de combustible en posición ON (I).</li> <li>3. Llene el cárter hasta el nivel adecuado o ponga el generador en una superficie nivelada.</li> <li>4. Limpie o reemplace el filtro de aire.</li> <li>5. Llene el depósito de combustible.</li> <li>6. Vacíe el depósito del combustible y el carburador; llénelo con combustible nuevo.</li> <li>7. Conecte el cable a la bujía.</li> <li>8. Reemplace la bujía.</li> <li>9. Vacíe el depósito del gas y carburador; llénelo con combustible limpio.</li> <li>10. Espere 5 minutos y vuelva a darle a la manivela del motor.</li> <li>11. Contacte con instalación de servicio autorizado.</li> <li>12. Contacte con instalación de servicio autorizado.</li> <li>13. Contacte con instalación de servicio autorizado.</li> <li>14. Limpie o reemplace el filtro de combustible.</li> </ol>
<b>El motor tiene poca potencia.</b>	<ol style="list-style-type: none"> <li>1. La carga es demasiado alta.</li> <li>2. El filtro de aire está sucio.</li> <li>3. El filtro de combustible está obstruido o sucio.</li> <li>4. El parachispas está obstruido.</li> </ol>	<ol style="list-style-type: none"> <li>1. No sobrecargue el generador.</li> <li>2. Cambie el filtro de aire.</li> <li>3. Limpie o cambie el filtro de combustible.</li> <li>4. Limpie o cambie el parachispas.</li> </ol>
<b>El motor "se mueve" o se tambalea.</b>	<ol style="list-style-type: none"> <li>1. El carburador está funcionando con demasiada abundancia o demasiado poca.</li> <li>2. El filtro del combustible está obstruido o sucio.</li> </ol>	<ol style="list-style-type: none"> <li>1. Contacte con instalación de servicio autorizado.</li> <li>2. Limpie o cambie el filtro de combustible.</li> </ol>
<b>El motor se apaga cuando está en funcionamiento.</b>	<ol style="list-style-type: none"> <li>1. Sin combustible.</li> <li>2. El filtro de aire está sucio.</li> <li>3. Nivel de aceite bajo.</li> </ol>	<ol style="list-style-type: none"> <li>1. Llene el depósito de combustible.</li> <li>2. Limpie o cambie el filtro de aire.</li> <li>Llene el cárter hasta el nivel adecuado o ponga el generador en una superficie nivelada.</li> </ol>

# DIAGRAMA DE LAS PIEZAS Y LISTA DE PIEZAS

## P03607 DIAGRAMA DE LAS PIEZAS



**FIRMAN 208cc DIAGRAMA DE LAS PIEZAS**





## FIRMAN 208cc Motor LISTA DE PIEZAS

NO.	Numero de Parte	Descripción	Qty.
1	336723500	Montaje del cárter	1
2	336723501	Clavijas de posicionamiento Ø9×14	2
3	336723502	Sensor del nivel de aceite	1
4	336723503	Tornillos m6×12	8
5	336723504	Montaje del árbol de levas	1
6	336723505	Soportes	2
7	336723506	Engranaje del cigüeñal	1
8	336723507	Llave woodruff 4×7.5×19	1
9	336723508	Cigüeñal	1
10	336723509	Engranaje de sincronización	1
11	336723510	Junta del cárter	1
12	336723511	Ensamblaje de la varilla de medición de aceite	1
13	336723512	Tapa del cárter	1
14	336723513	Sello del aceite 25×41.3×6	2
15	336723514	Tornillos m8×32	6
16	336723515	Montaje de la varilla	1
17	336723516	Aro de pistón de retención de la clavija	2
18	336723517	Clavija de pistón	1
19	336723518	Pistón	1
20	336723519	Aro de aceite	1
21	336723520	Aro de pistón del segundo canal	1
22	336723521	Aro de pistón del primer canal	1
23	336723522	Tornillos M6x8	3
24	336723523	Tapa del aire de bajo diferencial	1
25	336723524	Junta de la válvula de la culata	1
26	336723525	Ensamblaje de la válvula del cilindro	1
27	336723526	Tornillos M6x15	7
28	336723527	Tornillos M8x55	4
29	336723528	Contratuercas	2
30	336723529	Tuerca de ajuste	2
31	336723530	Manguera de ventilación	1
32	336723531	Balancín de válvula	2
33	336723532	Tapa de la válvula de escape	1
34	336723533	Base de la válvula de entrada de aire	1
35	336723534	Base de la válvula de escape	1
36	336723535	Muelle de la válvula	2
37	336723536	Sello del aceite de la válvula	2
38	336723537	Tornillo del eje del balancín	2
39	336723538	Placa guía de la barra de presión	1
40	336723539	Perno de tornillo de la válvula de escape	2
41	336723540	Montaje de la culata	1
42	336723541	Válvula de entrada de aire	1
43	336723542	Válvula de escape de aire	1
44	336723543	Barra de presión	2
45	336723544	Cruceta de válvula	2
46	336723545	Arandela de tornillo para drenaje de aceite	2
47	336723546	Tornillo para drenaje de aceite	2
48	336723547	Clavijas ø10×16	2
49	336723548	Material acolchado de la culata	1
50	336723549	Perno de tornillo de la entrada de aire	2
51	336723550	Junta de la base de aislamiento térmico	1
52	336723551	Base de aislamiento térmico del carburador	1
53	336723552	Junta del carburador	1

NO.	Numero de Parte	Descripción	Qty.
54	336723553	Conjunto del carburador	1
55	336723554	Junta del filtro de aire	1
56	336723555	Tuercas M6	3
57	336723556	Bujía	1
58	336723557	Montaje de la base del filtro de aire	1
59	336723558	Tabilla	1
60	336723559	Perno del filtro de aire	4
61	336723560	Elemento de filtro	1
62	336723561	Tapa del filtro de aire	1
63	336723562	Conjunto del regulador	1
64	336723563	Balancín	1
65	336723564	Junta del balancín	1
66	336723565	clavija elástica	1
67	336723566	brazo de regulación	1
68	336723567	perno de regulación	1
69	336723568	Muelle regulador	1
70	336723569	Palanca reguladora	1
71	336723570	Resorte regulador	1
72	336723571	Soporte de diodo	1
73	336723572	Deflector de viento	1
74	336723573	Conjunto de ignición	1
75	336723574	M6×25	2
76	336723575	Circulo protector	1
77	336723576	Montaje de la cubierta del ventilador	1
78	336723577	M6×20	1
79	336723578	Montaje de la cubierta de la guía de aire derecha	1
80	336723579	Montaje de diodo (tres cables)	1
81	336723580	Contratuercas	1
82	336723581	Polea de inicio	1
83	336723582	Ventilador de refrigeración	1
84	336723583	Montaje del volante	1
85	336723584	Manivela	1
86	336723585	Montaje de la cubierta de encendido	1
87	336723586	Muelle de retorno	1
88	336723587	Cordón	1
89	336723588	Placa del cordón	1
90	336723589	Muelle de ajuste	2
91	336723590	Rueda dentada	2
92	336723591	Placa a presión	1
93	336723592	Muelle de la placa a presión	1
94	336723593	Tornillos de la placa a presión	1
95	336723594	Eje del engranaje regulador	1
96	336723595	Empaque interior del engranaje regulador	1
97	336723596	Montaje del engranaje regulador	1
98	336723597	Muelle de clavija del eje del engranaje regulador	1
99	336723598	Set de ejes de engranaje regulador	1
100	336713532	Junta del tubo de escape	1
101	336423500	Equipo de montaje del inicio por tracción.	1
102	336423501	Montaje del regulador	1
103	336423502	Montaje del filtro de aire	1
104	336423503	Montaje del carburador	1
105	336423504	Ensamblaje de aros de pistón	1
106	336423505	Ensamblaje de la placa de apoyo	1

## INFORMACIÓN DE SERVICIO

**CONTACTE CON  
EL DEPARTAMENTO  
DE SERVICIO DE PRODUCTO  
DE FIRMAN EN  
1-844-347-6261**

o en [www.firmangenerators.com](http://www.firmangenerators.com)  
para obtener información sobre  
el servicio de garantía o para  
pedir piezas de repuesto  
o accesorios.

### CÓMO PEDIR PIEZAS DE REPUESTO

Incluso equipamiento de calidad como el generador eléctrico que acaba de adquirir puede necesitar piezas de repuesto ocasionalmente, para mantenerlo en buenas condiciones a lo largo de los años. Para pedir piezas de repuesto, por favor proporcione la siguiente información:

1. Modelo No. , Rev. Nivel y No. de Serie y todas las especificaciones que aparecen en la placa del No. de Modelo/ No. de Serie.
2. El Número o números de las piezas en la sección Lista de piezas.
3. Una breve descripción de la problemática con el generador.

### REGISTRE SU PRODUCTO

Registre online su generador Firman en  
[www.firmangenerators.com](http://www.firmangenerators.com)

## GARANTÍA

### Garantía Limitada de Tres (3) Años FIRMAN

#### Calificaciones de Garantía

El GENERADOR FIRMAN registrará la garantía cuando reciba su Carta de Registro de Garantía y una copia de su recibo de compra de uno de los puntos de venta FIRMAN como comprobante de compra. Envíe su registro de garantía y el comprobante de compra en un plazo de diez (10) días tras la fecha de compra.

#### Garantía de Reparación/Repuesto

FIRMAN garantiza al comprador original que los componentes mecánicos y eléctricos estarán libres de defectos en los materiales y fabricación durante el periodo de un (1) año (piezas y mano de obra) y tres (3) años (piezas) desde la fecha original de compra 90 días [piezas y mano de obra] y 180 días [piezas] para uso comercial & industrial. Los gastos de transporte de productos presentados para su reparación o repuesto bajo esta garantía son responsabilidad exclusiva del comprador. Esta garantía sólo se aplica al comprador original y no es transferible.

#### No Devuelva la Unidad al Lugar de Compra

Póngase en contacto con el Centro de Servicio FIRMAN y FIRMAN diagnosticará cualquier problema por teléfono o correo electrónico.

Si con este método no se soluciona el problema, FIRMAN podrá, a su elección, autorizar la evaluación, reparación o repuesto de la pieza o componente defectuosos en un Centro de Servicio FIRMAN. FIRMAN le proporcionará un número de caso para el servicio de garantía. Por favor, consérvelo para consultarlo en el futuro. Las reparaciones o repuestos sin autorización previa, o en un centro de reparación no autorizado, no serán cubiertos por esta garantía.

#### Exclusiones de La Garantía

Esta garantía no cubre las reparaciones y equipos siguientes:

#### Desgaste Normal

Su producto necesita periódicamente repuestos y servicio para un buen desempeño. Esta garantía no cubre la reparación cuando el uso normal haya agotado la vida útil de una parte o del equipo en su conjunto.

---

---

## Instalación, Uso y Mantenimiento

Esta garantía no se aplicará a las partes y / o mano de obra si su producto se considera que ha sido mal utilizado, descuidado, involucrado en un accidente, abusado, cargado más allá de los límites del generador, modificado, instalado incorrectamente o mal conectado a cualquier componente eléctrico. El mantenimiento normal no está cubierto por esta garantía.

## Otras Exclusiones

Esta garantía excluye:

- Defectos cosméticos como la pintura, etiquetas, etc.,
- Desgaste de objetos
- Piezas accesorias,
- Fallos debido a hechos fortuitos y a otros acontecimientos de fuerza mayor que escapan al control del fabricante,
- Problemas causados por piezas que no son originales de FIRMAN.

## Límites de La Garantía Implícita y Daños Consecuentes

FIRMAN se exime de cualquier obligación de cubrir toda pérdida de tiempo, el uso de este producto, flete, o cualquier reclamo incidental o consecuente por parte de cualquier usuario de este producto. ESTA GARANTÍA TOMA EL LUGAR DE CUALQUIER OTRA GARANTÍA, EXPRESA O IMPLÍCITA, INCLUYENDO LAS GARANTÍAS DE COMERCIALIZACIÓN O IDONEIDAD PARA UN PROPÓSITO PARTICULAR.

Una unidad proporcionada como un intercambio estará sujeta a la garantía de la unidad original. La longitud de la garantía de la unidad de intercambio se seguirá calculando en función de la fecha de compra de la unidad original.

Esta garantía le otorga ciertos derechos legales que pueden variar de estado a estado. Su estado puede que también tenga otros derechos a los que pueda acogerse y que no se mencionan en esta garantía.

## Información de Contacto

Puede contactar FIRMAN en:

### Dirección

Firman Power Equipment  
Attn: Customer Service  
14131 N Rio Vista Blvd Suite 9  
Peoria, AZ 85381  
[www.firmangenerators.com](http://www.firmangenerators.com)

**Somos FIRMAN el poder - y estamos aquí para usted.**  
**Oficina de servicio al cliente - 1-844-347-6261 (844-firman1)**  
**6 AM PST (9am est) hasta las 8pm EST (5PM PST)**  
**Servicio tecnico escritorio - 1-844-347-6261 (844-firman1)**  
**6 AM PST (9am est) hasta las 8pm EST (5PM PST)**  
**24 / 7 Tech Support - 1-844-347-6261 (844-firman1)**

---

---

# FIRMAN POWER EQUIPMENT INC.

## Garantía Del Sistema De Control De Emisiones

### DECLARACIÓN DE GARANTÍA FEDERAL Y CALIFORNIANA SOBRE EL CONTROL DE EMISIONES DE ESCAPE Y EVAPORACIÓN MOTORES DE GASOLINA

#### SUS DERECHOS Y OBLIGACIONES DE GARANTÍA

La Junta de Recursos del Aire de California, Agencia de Protección Ambiental de EE.UU. ("US EPA") y FIRMAN POWER EQUIPMENT INC.(FIRMAN) se complacen en explicar la garantía del sistema de control de emisiones por evaporación y escape en el 2016-2017 o el posterior Motor Off-Road pequeño ("SORE") y el motor del equipo accionado según corresponda. En California y los EE.UU., SORE y los equipos accionados por motor deben fabricarse y equiparse para cumplir con California según corresponda. En California y EE.UU., SORE y los equipos accionados por motor deben diseñarse, fabricarse y equiparse para cumplir con los altos estándares anti-contaminación de California y EPA Estados Unidos. FIRMAN debe garantizar el sistema de control de emisiones a su SORE y equipo accionado por motor durante el periodo listado abajo siempre que no haya habido abuso, negligencia o mantenimiento inapropiado con su SORE o equipo accionado por motor. Su sistema de control de emisiones de escape pueden incluir piezas como carburadores, sistemas de inyección de combustible, el sistema de encendido, y los convertidores catalíticos. También puede incluir un sistema de control de emisiones por evaporación que puede incluir depósitos de combustible, líneas de combustible, las tapas de combustible, válvulas, latas, filtros, mangueras de vapor, abrazaderas, conectores, cinturones y otros componentes asociados. Para motores menores o iguales a 80 cc, sólo el depósito de combustible está sujeto a los requisitos de la garantía de control de emisiones por evaporación de esta sección (California solamente).

#### RESPONSABILIDADES DE GARANTÍA DE LOS PROPIETARIOS:

Como propietario de SORE o un equipo accionado por motor, es responsable del rendimiento del mantenimiento requerido listado en su manual del propietario. FIRMAN recomienda que guarde todos los recibos de mantenimiento del SORE o equipo accionado por motor, aunque FIRMAN no puede denegar la garantía sólo por falta de recibos.

Como propietario de SORE o un equipo accionado por motor, debería saber que FIRMAN puede denegar la cobertura de garantía si su SORE o equipo accionado por motor o una pieza ha fallado debido al abuso, negligencia, mantenimiento inapropiado o modificaciones no aprobadas.

Es su responsabilidad presentar su SORE o equipo accionado por motor a un centro de servicio o distribución FIRMAN tan pronto como el problema surja. Las reparaciones de garantía deberían completarse en un periodo de tiempo razonable, que no exceda los 30 días. Si tiene alguna pregunta referente a la cobertura de garantía, debería contactar con FIRMAN al 1-844-347-6261.

#### COBERTURA DE GARANTÍA DE EMISIONES GENERALES

Este sistema de control de emisiones está justificada por tres años. El periodo de garantía empieza el día que el motor o equipo es entregado al comprador final. FIRMAN garantiza al comprador final y a cada subsecuente comprador que el motor está: Diseñado, fabricado, y equipado para cumplir con todas las regulaciones aplicables adoptadas por la Junta de Recursos de Aire y EPA (Agencia de Protección Ambiental de Estados Unidos); y libre de defectos en materiales y mano de obra que causen el fallo de una pieza garantizada que debe ser idéntica con referencia a todos los materiales así como la pieza descrita en la petición de certificación de fabricantes de motores.

La garantía de piezas relacionadas con las emisiones es la siguiente:

- 1) Cualquier pieza en garantía que no esté previsto cambiar como parte del mantenimiento requerido en el manual del propietario facilitado, está bajo garantía durante el periodo de garantía indicado más arriba. Si alguna pieza falla durante el periodo de la cobertura de la garantía, esta pieza será reparada o reemplazada por FIRMAN sin cargos para el propietario. Cualquier parte reparada o reemplazada bajo garantía permanecerá en garantía para el periodo restante que dure la garantía. Cualquier pieza en garantía que solamente esté prevista para recibir una inspección regular según el manual del propietario facilitado, estará en garantía durante el periodo de garantía indicado más arriba. Cualquier parte reparada o reemplazada bajo garantía permanecerá en garantía para el periodo restante que dure la garantía.
- 2) Cualquier pieza en garantía que esté previsto cambiar como parte del mantenimiento especificado en el manual del propietario facilitado, está bajo garantía durante el periodo de tiempo anterior al primer punto de repuesto para esta pieza. Si la pieza falla antes del primer repuesto previsto, la pieza será reparada o reemplazada por FIRMAN sin cargos para el propietario. Cualquier pieza reparada o reemplazada bajo garantía permanecerá en garantía por el periodo de tiempo restante antes del primer punto de repuesto para esta pieza.
- 3) Reparar o reemplazar cualquier parte en garantía bajo garantía debe realizarse sin cargos para el propietario en un centro del servicio técnico de la garantía.
- 4) A pesar de las provisiones de la Subsección (4) de más arriba, los servicios o reparaciones de la garantía deben estar proporcionados por FIRMAN, que serán franquiciados para dar servicio a los motores en cuestión.
- 5) Al propietario no se le debe cobrar por las tareas de diagnóstico que lleguen a determinar que la pieza en garantía está, en realidad, defectuosa, siempre y cuando este diagnóstico se lleve a cabo en un centro del servicio técnico de la garantía.
- 6) FIRMAN se hace responsable de los daños ocasionados a otros componentes de motor que sean causa inmediata de un fallo bajo el periodo de garantía de cualquier pieza en garantía.
- 7) A lo largo del periodo de la garantía de las emisiones descrito en la subsección (b)(2), FIRMAN seguirá manteniendo un suministro de las piezas en garantía adecuadas para cumplir con la demanda esperada de estas piezas.
- 8) Cualquier pieza de repuesto que deba ser usada durante cualquier mantenimiento o reparación bajo garantía, será proporcionada sin cargos para el propietario. Dicho uso no reducirá las obligaciones de la garantía del fabricante.

9) Las piezas añadidas o modificadas que no estén exentas por el Air Resources Board (Agencia de Protección Ambiental de California) no deberán utilizarse. El uso de cualquier pieza añadida o modificada que no esté exenta por el último comprador tendrá fundamento para serle denegada la petición de garantía.

El fabricante no se hará responsable de fallos en la garantía de piezas en garantía causados por el uso de piezas añadidas o modificadas no exentas.

### PIEZAS CUBIERTAS POR LA GARANTÍA

A continuación se listan las piezas (si están provistas) cubiertas por la Garantía de Sistemas de Control de Emisiones Federales y de California. Algunas piezas en la lista siguiente podrían requerir un mantenimiento programado y están bajo garantía hasta el primer punto de repuesto previsto para dicha pieza.

1. Sistema de encendido, incluyendo: -Bujía -Bobina de encendido	4. Sistema de inducción por aire, incluyendo: -Tubería de entrada/colector -Filtro de aire
2. Sistema medidor de combustible: -Depósito de combustible -Tapón del combustible -Línea de combustible y accesorios/tornillos relacionados	5. Ensamblaje del respiradero del cárter, incluyendo: -Tubo de conexión del respiradero
3. Ensamblaje del silenciador catalítico, incluyendo: -Colector del escape -Convertidor catalítico -Junta del silenciador -Válvula de tensión	6. Sistema de control de las emisiones de evaporación del depósito de combustible, incluyendo: -Válvulas de purga -Contenedor de carbono -Mangueras de vapor y accesorios/tornillos

### Limitaciones

La presente Garantía de los Sistemas de Control de las emisiones no debe cubrir las siguientes cuestiones:

- (a) Daños emergentes como pérdida de tiempo, molestias, pérdida del uso del motor o equipo, etc.
- (b) Los cargos por diagnóstico e inspección que no den como resultado un servicio calificado cubierto por la garantía.

FIRMAN POWER EQUIPMENT INC.  
firmangenerators@sumec-na.com  
www.firmangenerators.com

**Firman Power Equipment Inc.**

14131 N Rio Vista Blvd Suite 9

Peoria, AZ 85381

[www.firmangenerators.com](http://www.firmangenerators.com)

Todos los derechos reservados. Cualquier reimpresión o uso no autorizado sin la autorización por escrito queda explícitamente prohibido.

P/N:336745456 Rev 00

# FIRMAN<sup>®</sup>

## MANUEL DE PROPRIÉTAIRE DU GÉNÉRATEUR PORTABLE



Intertek  
5001841

NUMÉRO DE MODÈLE  
**P03607**

Niveau:00

**IMPORTANT:** lisez toutes les précautions et instructions de sécurité avec grand soin avant d'opérer l'équipement.



Assurez que le moteur s'arrête et le niveau avant d'appliquer aucun entretien ou service.

Enregistrez l'information du produit comme référence lors de la commande de pièces ou d'obtenir la couverture de garantie.



**NE PAS RETOURNEZ  
AU MAGASIN!**



APPELEZ-NOUS D'ABORD!  
NUMÉRO D'URGENCE DU CLIENT  
1-844-347-6261

POUR LES QUESTIONS OUR  
SERVICE INFORMATION

Numéro en Série: \_\_\_\_\_

Date D'achat: \_\_\_\_\_

P/N:336745456 Rev:00

# Table des matières

<b>Introduction</b> .....	1	<b>L'entretien Et La Conservation</b> .....	18
<b>Précautions De Sécurité</b> .....	2	Recommandations Générales .....	18
<b>Déballage Du Générateur</b> .....	6	Entretien Du Moteur .....	19
Partis Inclus .....	6	Changement D'huile De Moteur .....	19
<b>Enlevez Les Supports D'expédition</b> .....	7	L'entretien Du Filtre D'air .....	19
<b>Commandes Et Caractéristiques</b> .....	8	L'entretien De Bougie.....	20
Générateur .....	8	Nettoyage Du Filtre De Carburant .....	20
Panneau De Contrôle .....	9	Inspectez Silencieux Et Pare-étincelles .....	20
<b>Spécifications</b> .....	10	L'entretien Du Générateur .....	21
Ajoutez L'huile De Moteur .....	11	Service and Storage .....	22
Arrêt De L'huile Basse.....	11	<b>Le Dépannage</b> .....	23
Ajoutez Le Combustible .....	12	<b>Le Schema Des Pièces Et La Liste De Pièces</b> ..	24
Opération À La Haute Altitude.....	12	Schema Des Pièces .....	24
Mise À La Terre .....	13	Moteur Schéma Des Pièces.....	25
Connectez Au Système Électrique D'un		Liste Des Pièces .....	26
Bâtiment.....	13	<b>Information De Service</b> .....	28
<b>Opération</b> .....	14	<b>Garantie</b> .....	28
Location De Générateur .....	14		
Protection Contre La Surtension.....	14		
Démarrer Le Générateur .....	15		
Connectez Les Charges Électriques .....	16		
S'arrêtez Le Moteur .....	16		
Enfermement De L'huile Basse .....	17		
Lne Pas Surchargez E Générateur.....	17		

# INTRODUCTION

Je vous remercie pour acheter le générateur du FIRMAN.

**Ce manuel contient** l'information de sécurité afin de vous faire prendre conscience des dangers et des risques associés aux produits de générateur et comment y éviter. Ce générateur est dessiné et visé seulement pour fournir énergie électrique dans l'intention d'opérer l'éclairage d'électrique compatible, les appareils, les outils et les charges de moteur, en plus, il ne vise pas à d'autres objets. Il est important que vous lisez et comprenez ces instructions ces instructions totalement avant de tenter de démarrer our d'opérer cet équipement. **Conservez ces instructions originales pour référence future.**

Ce manuel couvre l'opération et la maintenance des générateurs FIRMAN. Toutes les informations dans cette publication se basent sur la dernière information de production disponible au moment de l'approbation pour l'impression. La fabrication réserve le droit de changer, altérer ou d'autre améliorer sagement le générateur et cette documentation à tout moment sans modification préalable.

## Information de Sécurité Importante

Le fabricant ne peut pas anticiper du possible toutes les circonstances possibles qui pourraient impliquer un danger. Les avertissements dans ce manuel et les étiquettes et les décalcomanies apposés sur l'unité donc ne sont pas tout y compris. Si vous utilisez une procédure, une méthode de travail ou technique d'opération que le fabricant ne recommande pas spécifiquement que vous devez satisfaire à vous-même, il est sûr pour vous et les autres. Vous devez aussi assurer que la méthode de travail de la procédure ou la technique d'opération ce que vous choisissez ne rendent pas le générateur dangereux.

## INFORMATION DE SÉCURITÉ



### DANGER

DANGER indique une situation potentiellement dangereuse, s'il ne peut pas éviter, il IRA entraîner la mort ou de graves blessures.



### AVERTISSEMENT

AVERTISSEMENT indique une situation potentiellement dangereuse, s'il ne peut pas éviter, il peut entraîner la mort ou de graves blessures.



### CAUTION

CAUTION indique une situation potentiellement dangereuse, s'il ne peut pas éviter, il peut des blessures .



Fumées Toxiques



Risque De Choc Électrique



Risque D'incendie



Risque D'explosion



Surface Chaude  
Ne Pas Touchez La Surface.



Enchevêtrement Des Pièces  
Tournantes .  
Risque .





Ristourne



Manuel D'opérateur

## Précautions de Sécurité

<b>⚠ DANGER</b>	
Generator exhaust contains carbon monoxide. This is a poison you cannot see or smell. Échappement du générateur contient le monoxyde de carbone. C'est un poison que vous ne pouvez pas voir ou sentir.	
	
NE JAMAIS utilisez dans une maison ou garage. MEME SI les portes et les fenêtres sont ouvertes.	JUSTE utilisez EN DEHORS et loin de fenêtres, portes et événements.
Évitez les autres dangers du générateur. Lisez le manuel avant d'utiliser.	

### **⚠ AVERTISSEMENT**

#### **RISQUE DE GAZ TOXIQUE**



L'échappement du moteur contient le monoxyde de carbone, un gaz toxique peut vous tuer dans quelques minutes. Vous ne pouvez pas le sentir, voir ou goûter. Même si vous ne sentez pas de gaz d'échappement, vous pourriez encore être exposé au gaz du monoxyde de carbone.

- Opérez ce produit juste à l'extérieur loin des fenêtres, portes et ventilation à réduire le risque du gaz de monoxyde de carbone en provenant de l'accumulation et d'être attiré potentiellement vers les espaces occupés.
- Installez des alarmes du monoxyde de carbone à piles ou des alarmes de brancher l'alimentation du monoxyde de carbone avec la batterie de secours selon les instructions du fabricant. Les alarmes de fumée ne peuvent pas détecter le gaz du monoxyde de carbone.
- Ne pas exécuter ce produit à l'intérieur des maisons, garages, sous-sols, espaces sanitaires, abris ou d'autres espaces partiellement fermés, même si l'utilisation de ventilateurs ou de portes ouvertes et les fenêtres pour la ventilation. Le monoxyde de carbone peut mettre en place rapidement dans ces espaces et peut persister pendant des heures, même après ce produit est éteint.

- Toujours placez ce produit sous le vent et pointez l'échappement du moteur loin des espaces occupés. Si vous commencez à vous sentir malade, étourdi ou faible en utilisant ce produit, l'éteignez et le prenez à l'air frais immédiatement. Voyez un docteur. Vous pouvez rencontrer un monoxyde de carbone toxique.

### **⚠ AVERTISSEMENT**

L'échappement du moteur de ce produit contient des chimies reconnues par l'état de Californie à causer le cancer, des malformations congénitales ou d'autres détriments régénérés.

### **⚠ AVERTISSEMENT**

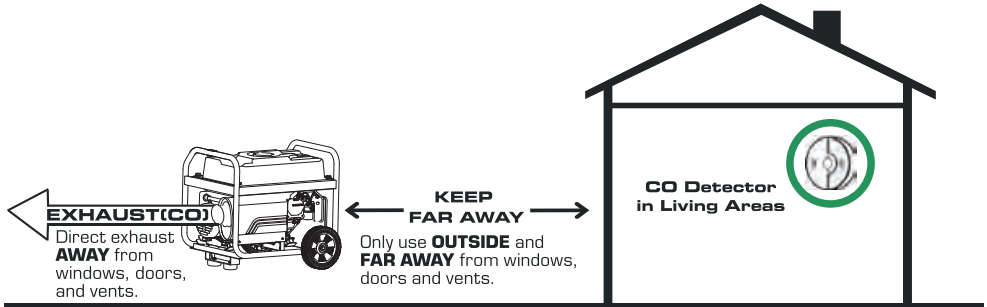
Certains composants dans ce produit et les accessoires associés contiennent des chimies reconnues par l'état de Californie pour causer le cancer, des malformations congénitales ou d'autres détriments régénérés. Lavez les mains après la manipulation.

- Si vous commencez à sentir malade, étourdi ou faible en utilisant le générateur portable, vous pouvez rencontrer le monoxyde de carbone toxique. Sortez à l'air frais immédiatement et appelez 911 pour les soins médicaux. Les niveaux très hauts de CO peuvent rapidement causer des victimes à perdre la conscience avant qu'ils puissent sauver eux-même. Ne pas tentez de couper le générateur avant de se déplacer à l'air frais. Entrez dans un espace où le générateur est ou a été en cours d'exécution qui peut vous mettre plus de risque de CO toxique.

## USAGE CORRECT

### Location d'exemple à réduire le risque de monoxyde de carbone toxique

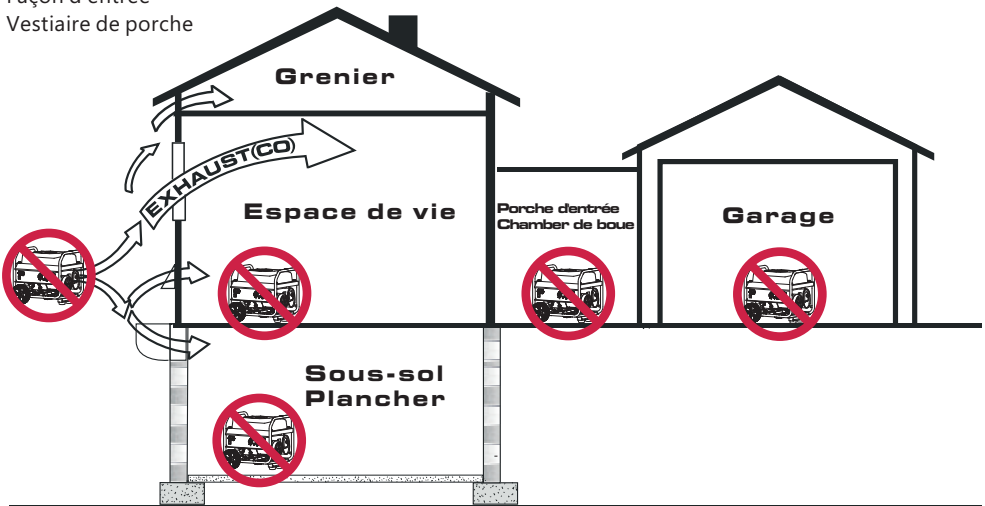
- Juste utilisez à l'extérieur et sous le vent, loin de fenêtres, portes et évents.
- Echappement direct loin des espaces occupés.



## USAGE INCORRECT

### Ne pas opérez dans aucune location suivante:

- Près de toute porte, fenêtre ou ventilation
- Garage
- Sous-sol vide sanitaire
- Espace
- Surface de vie
- Grenier
- Façon d'entrée
- Vestiaire de porche



## **⚠ AVERTISSEMENT**



Rebond de corde de lanceur (retrait rapide) va tirer votre main et votre bras vers le moteur plus rapide que vous pouvez laisser aller ce qui peut causer des OS cassés, des fractures, des contusions, entorses ou provoquant de graves blessures.

- Lors de démarrer le moteur, tirez lentement sur la corde jusqu'à sentir la résistance, et puis tirez rapidement pour éviter tout recul.
- **Ne jamais** démarrez ou arrêtez le moteur avec les appareils électriques qui sont branchés et allumés.

## **⚠ AVERTISSEMENT**



Le combustible et ses vapeurs sont extrêmement inflammables et explosives qui peuvent causer des brûlures, incendie ou explosion en provoquant la mort ou de graves blessures et / ou des dommages des matériels.

### **LORS D'AJOUTER OU D'ÉPUISER LE COMBUSTIBLE**

- Fermez le moteur de générateur et le laissez refroidir au moins de 2 minutes avant d'enlever le bouchon de combustible. Le desserrez lentement pour soulager la pression sur le réservoir.
- Remplissez ou uissez le combustible de réservoir l'xtieur.
- **Ne pas** remplissez le réservoir trop. Prévoyez des espaces pour l'expansion du combustible.
- Si le combustible déborde, atteignez jusqu'il évopore avant de démarrer le moteur.
- Eloignez l'essence des incelles, es flammes, des veilleuses, de la chaleur et les autres sources d'gnition.
- Vérifiez les conduites de combustible, le réservoir, le bouchon et les raccords de issues ou de fuites. Remplacez s'il est nessaire.
- **Ne pas** allumez la cigarette ou la fumée.

### **LORS DE DÉMARRER L'ÉQUIPEMENT**

- Assurez la bougie d'allumage, silencieux, bouchon de combustible et purificateur d'air sont en place.
- **Ne pas** aissez tourner le moteur avec la bougie enlev.

### **LORS D'OPÉRER L'ÉQUIPEMENT**

- **Ne pas** opérez ce produit à l'intérieur d'un bâtiment, carport, porche, équipement mobile, application marine ou enceinte.
- **Ne pas** basculez le moteur ou l'équipement à l'angle qui causent le débordement du combustible.
- **Ne pas** arrez le moteur en dlant le contre de starter en position 'arrer' .

### **LORS DE TRANSPORTER, DÉPLACER OU RÉPARER L'ÉQUIPEMENT**

- Transportez/dlangez/rarez avec le réservoir de combustible VIDE ou avec le combustible avec a alve ferm.
- **Ne pas** asculez le moteur ou l'uipeement l'ngle qui causent le dordement de combustible.
- Déconnectez le fil de bougie d'llumage.

### **LORS DE STOCKER LE COMBUSTIBLE OU ÉQUIPEMENT AVEC LE COMBUSTIBLE DANS LE RÉSERVOIR**

- Stockez loin des fours, cuisinières, chauffages de l'eau, les sécheuses, ou d'autres appareils qui ont la veilleuse ou l'autre source d'inflammation, parce qu'ils peuvent enflammer les vapeurs de combustible.

## **⚠ AVERTISSEMENT**

- Ce générateur ne répond pas à la régulation de garde côtière américaine 33CFR-183 et ne doit pas être utilisé sur les applications marines.
- **Ne pas** utilisez le générateur de la Garde côtière américaine appropriée et approuvée qui peut entraîner la mort ou des blessures graves et / ou des dommages matériels.

## **⚠ AVERTISSEMENT**



La tension de générateur peut causer un choc électrique ou de brûlure provoquant la mort ou des blessures graves.

- Utilisez l'équipement de transfert approuvé, adapté à l'usage prévu pour prévenir les remontées de produits en isolant le générateur des travailleurs de l'électricité

- Lorsque vous utilisez le générateur pour l'alimentation de secours, notifiez des utilisateurs de compagnie.
- Utilisez un disjoncteur de circuit de terre dans une zone humide ou de haute conduction, comme les terrasses en métal ou de travail de l'acier.
- **NE PAS** touchez les fils nus ou les prises.
- **NE PAS** utilisez le générateur avec des cordons électriques usés, effilochés, nus ou endommagés.
- **NE PAS** opérez le générateur dans la pluie ou le climat humide.
- **NE PAS** manipulez le générateur ou les cordons électriques en restant debout dans l'eau, pieds nus ou les mains ou les pieds mouillés.
- **NE PAS** laissez les personnes non qualifiées ou des enfants opérer le service du générateur.

### **AVERTISSEMENT**



Échappement de chaleur/gaz peut enflammer les combustibles, les structures ou le réservoir de combustible de carbone en causant l'incendie, provoquant la mort ou de graves blessures et/ou dommages des matériels.

Contactez avec la zone du silencieux peut causer des brûlures qui peuvent provoquer de graves blessures.

- **NE PAS** touchez les pièces chaudes et évitez le gaz d'échappement chauds.
- Laissez l'équipement refroidir avant de le toucher.
- Il est une violation Code des ressources publiques de Californie, Section 4442, à utiliser ou opérer le moteur sur le recouvert de forêt, la brosse-couverte, ou de l'herbe couverte au moins que le système d'échappement est équipé d'un pare-étincelles, tels que définis dans la section 4442, en bon état de fonctionnement. D'autres états ou juridictions fédérales peuvent avoir des lois similaires. Contactez le fabricant d'équipement d'origine, le distributeur à obtenir un pare-étincelle d'échappement installé sur ce moteur.
- Les pièces de rechange doivent être les mêmes et être installées dans la même position que les pièces d'origine.

### **AVERTISSEMENT**



Unintentional d'allumage peut causer l'incendie ou un choc électrique entraînant la mort ou des blessures graves.

### **LORS DE RÉGLER OU RÉPARER VOTRE GÉNÉRATEUR**

- Déconnectez le fil de bougie d'allumage de la bougie d'allumage et placez le fil où il ne peut pas contacter avec la bougie d'allumage.

### **LORS DE TESTER POUR LE MOTEUR D'ALLUMAGE**

- Utilisez le testeur de bougie d'allumage approuvé.
- **Ne Pas** vérifiez pour l'étincelle avec la bougie enlevée.

### **AVERTISSEMENT**



Démarrez et lest autres pièces tournantes peuvent empêtrer les mains, les cheveux, les vêtements ou accessoires provoquant de graves blessures.

- **Jamais** opérez le générateur sans bâti ou couvercle protecteur.
- **Ne pas** portez d'amples vêtements, des bijoux ou aucun peut être pris dans le démarreur ou d'autres pièces tournantes.
- Attachez les cheveux longues et enlevez les bijoux.

### **CAUTION**

Les vitesses d'opération excessivement élevées peuvent provoquer des blessures mineures. Les vitesses d'opération excessivement faibles imposent une charge lourde.

- **Ne pas** modifiez les ressorts du régulateur, liaisons ou d'autres parts afin d'augmenter la vitesse de moteur. Le générateur fournit une fréquence correctement nominale et une tension lors d'exécuter à une vitesse régulée.
- **Ne pas** modifiez le générateur dans toute façon.

### **NOTE:**

Dépassez la capacité du générateur en watts/ampérage peut endommager le générateur et/ou des appareils électrique lui à connecter.

- **Ne pas** dépassez la capacité de générateur en watt ou ampérage.
- Démarrez le générateur et laissez le moteur stabiliser avant de connecter les charges électriques.
- Connectez les charges électrique en position FERME, et puis allumez pour l'opération.
- Eteignez les charges électriques et déconnectez du générateur avant d'arrêter le générateur.

## NOTE:

Un traitement inapproprié du générateur peut l'endommager et raccourcir sa vie.

- Utilisez le générateur juste pour les utilisations prévues.
- Si vous avez des questions concernant les utilisations prévues, demandez à votre revendeur ou contactez le centre de service local.
- Opérez le générateur juste sur des surfaces du niveau.
- NE PAS exposez le générateur à l'humidité excessive, la poussière, la saleté ou des vapeurs corrosives.
- Ne pas insérez d'objets à travers les fentes de refroidissement.
- Si des dispositifs connectés surchauffent, les éteignez et les débranchez de générateur.
- Coupez le générateur si:
  - La sortie électrique est perdue;
  - L'équipement étincelle, fume ou émet des flammes;
  - L'unité vibre excessivement

## **⚠** AVERTISSEMENT

### UTILISEZ LE SUPPORT MEDICAL ET DE VIE

- En cas d'urgence, composez le 911 immédiatement.
- NE JAMAIS utilisez ce produit pour les dispositifs de soutien de la vie de puissance ou des appareils de support de vie.
- NE JAMAIS utilisez ce produit pour alimenter des dispositifs médicaux ou des appareils médicaux.
- Informez votre fournisseur d'électricité immédiatement si vous ou quelqu'un de votre ménage dépend de l'équipement électrique à vivre.
- Informez votre fournisseur électrique immédiatement si une perte de puissance cause vous ou quelqu'un dans votre ménage à travers d'une urgence médicale.

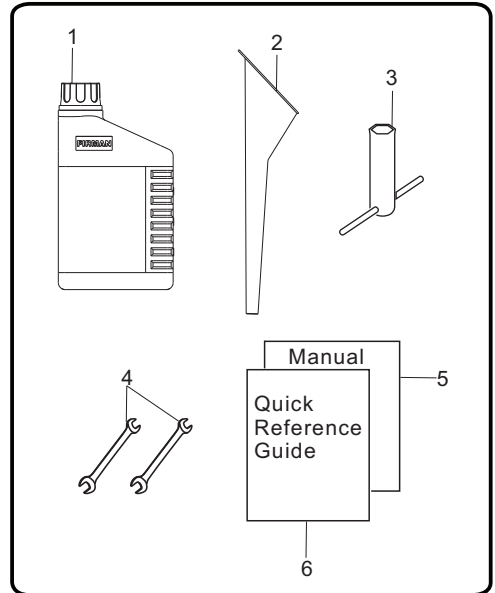
## DÉBALLAGE DU GÉNÉRATEUR

- Ouvrez la boîte et enlevez les matériaux d'emballage.
- Enlevez le générateur, boîtes d'accessoires, et de la littérature à partir de carton. Si des éléments sont manquants ou endommagés, contactez notre service de produit au 1-844-347-6261.

## Parts Inclus

Vos navires de générateur à gaz avec les parts suivants:

1. Huile(Bouteille).....	1
2. Entonnoir D'huile.....	1
3. Serre-écrou Pour Bougie.....	1
4. Serre-écrou Double Ouvert (10mm & 12mm).....	2
5. Manuel.....	1
6. Guide De Référence Rapide.....	1



## ENLEVEZ LES SUPPORTS D'EXPÉDITION

Avant que vous pourriez exécuter votre nouveau générateur, suivez ces instructions simples : Les éléments suivants doivent être enlevés avant de lancer votre nouveau générateur. Afin de protéger votre générateur, ces éléments ont été ajoutés pour assurer une livraison sûre de votre nouveau générateur.

### CAUTION

**Ne pas enlever ces éléments qui peuvent entraîner des dommages sur votre générateur, des blessures de personnes et annuler votre garantie.**

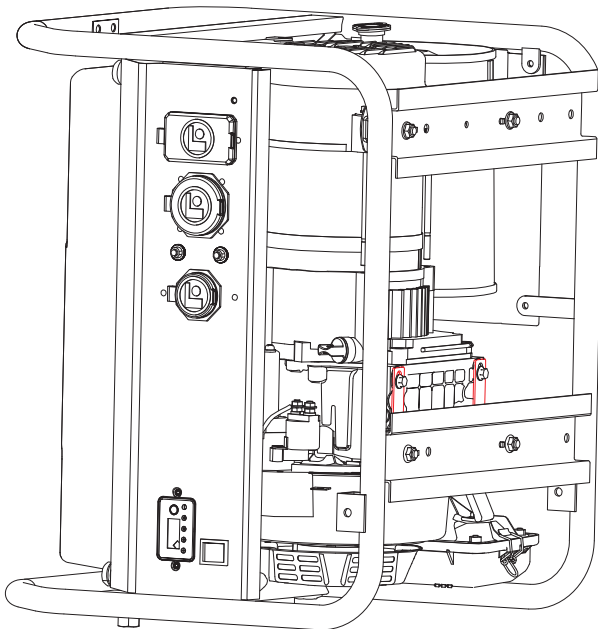
Reportez-vous aux instructions et images des instructions de démarrage suivants à enlever les crochets de support du moteur attaché (rouge) sous le moteur.

1. Avant de remplir l'huile du moteur, inclinez le générateur en arrière sur la fin de son cadre de recul comme indiqué dans cette image. Placez le générateur sur la boîte en carton ou d'autre surface de protection.

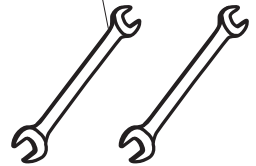
2. Retirez les boulons et écrous indiqués à partir des supports de moteur rouge. Vous pouvez utiliser les clés appropriées prévues.

3. Vous pouvez défaire cette parenthèse, car il n'est plus nécessaire pour l'opération normale de votre générateur.

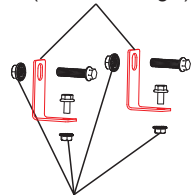
Votre générateur est maintenant prêt à l'emploi. Reportez-vous au manuel du propriétaire pour les instructions appropriées de remplissage d'huile et de démarrage



Serre-écrou Fournie



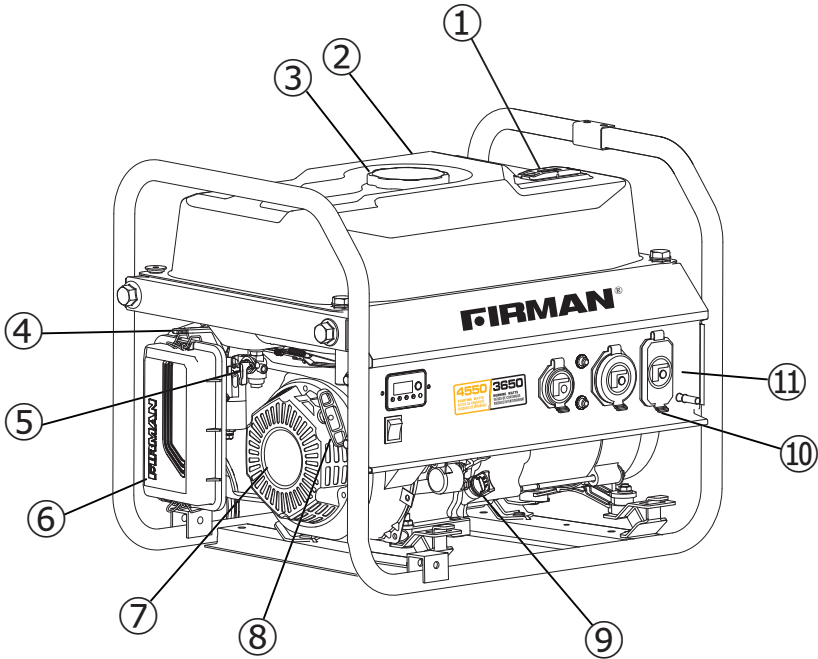
Support du Moteur  
(couleur rouge)



Enlevez ces 4 écrous & boulons comme indiqué.

# CONTRÔLES ET CARACTÉRISTIQUES

## Générateur



- 1- Jauge De Combustible
- 2- Réservoir De Combustible De Capacité 1.7 Gallon
- 3- Bouchon De Combustible
- 4- Levier D'étranglement
- 5- Valve De Combustible
- 6- Filtre À Air
- 7- Moteur 208cc Firman OHV
- 8- Démarrage De Recul

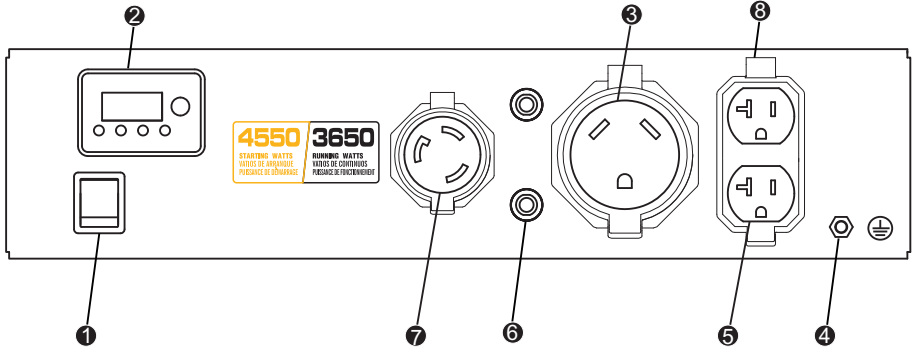
- 9- Bouchon de filtre d'huile
- 10- Couverture de sortie
- 11- Panneau de contrôle

### NOTE:

Ce modèle des navires de l'**usine sans kit de roue**. Pour en savoir plus sur le kit de roue et autres accessoires, s'il vous plaît visitez notre site web [www.firmangenerators.com](http://www.firmangenerators.com) ou appelez le service à la clientèle 1-844-347-6261.

\*Nous travaillons toujours à améliorer nos produits. Par conséquent, le produit ci-joint peut différer légèrement de l'image sur cette page.

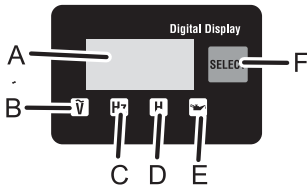
## Panneau de Contrôle



### NOTE:

**Total power drawn from all receptacles must not exceed the name plate rating.**

- ① **Interrupteur du moteur** - Basculez l'interrupteur à la position "**ON**"(I) et tirez sur le lanceur pour démarrer le générateur. Tournez à la position "**OFF**"(O) pour éteindre le générateur.
- ② **Mètre du multi-moniteur**- Appuyez sur le bouton SELECT pour afficher la tension, Hertz et heures d'exécution. Si l'indicateur d'huile de niveau bas est la lumière de vérifier le niveau d'huile.
- ③ **120V, 30A RV (NEMA TT-30R)**  
Plaine charge maximale de 30 Ampères de courant peut être tirée de cette 120 Volt réceptacle.
- ④ **Terminal de Terre** - Consultez un électricien pour la régulation de terre locale.
- ⑤ **120V, 20A Duplex** – (NEMA 5-20R) 20 Ampère de courant peut être tirée de cette 120 Volt réceptacle.
- ⑥ **Disjoncteurs** - Les prises sont protégées par un protecteur de circuit du courant alternatif. Si le générateur est surchargé ou un court-circuit externe se produit, le protecteur de circuit se déclenche. Si ceci a lieu, débranchez toutes les charges électriques et essayez de déterminer la cause du problème avant d'essayer de le réutiliser. Si la surcharge cause le protecteur de circuit de déclenchement, réduisez la charge.



- A - Affichage Numérique
- B - Indicateur de Tension AC
- C - Indicateur de Fréquence
- D - Indicateur de Hour
- E - Indicateur de Niveau D'huile
- F - Bouton de Sélection

- ⑦ **120V, 30A Twist-Lock (NEMA L5-30R)**  
Plaine charge maximale de 30 Ampères de courant peut être tirée de cette 120 Volt réceptacle.
- ⑧ **Couverture de Sortie** - Protégez les récipients de poussière et de débris.

## SPÉCIFICATIONS

Modèle	P03607
Watts de démarrage	4550
Watts courir	3650
Tension CA Nominale	120V
Fréquence Nominale	60Hz
Phase	Phase Monoposé
Régulateur de Tension	AVR
Facteur de Puissance	1
Type D'alternateur	Brossé
Moteur	FIRMAN
Type du Moteur	Cylindre Simple, 4 OHV Refroidi Par Air
Déplacement	208cc
Arrêt de L'huile Basse	Yes
Système D'allumage de Feu	Type D'allumage De Feu Statique, Volant Magnétique
Système de Démarrage	Recul
Combustible	L'essence Sans Plomb D'automobile
Capacité De Réservoir Du Combustible	5 Gallon
Capacité De L'huile De Lubrication	20.3 oz(0.6L)
Type de carburateur	Flotteur
Purificateur d'air	Type de Polyuréthane
Rotation d'arbre	Antihoraire (de P.T.O. Face)
Type de l'huile	Voyez La Section 'ajoutez L'huile De Moteur'
Bougle	TORCH F6RTC/NGK BPR6ES/CHAMPION RN9YC

### UN MESSAGE IMPORTANT SUR LA TEMPÉRATURE

Votre produit Firman Power Equipment est dessiné et évalué pour une opération continue aux températures ambiantes jusqu'à 40 ° C (104 ° F). Lorsque votre produit a besoin, votre produit peut être opéré aux températures allant de -15 ° C (5 ° F) à 50 ° C (122 ° F) pendant de courtes périodes. Si le produit est exposé aux températures en dehors de cette plage pendant le stockage, il devrait être ramené dans cette plage avant de l'opération. Dans tous les cas, le produit doit toujours être opéré à l'extérieur, dans un endroit bien ventilé et loin des portes, fenêtres et les autres ventilations.

- Lors de oper au dessus e 77 F (25 C) il peut y avoir ue diminution ans lapuissance.
- Puissance maxmale et le courant sont soumis et limitpar des facteurs ommle cmbustibleBtu ontient la temperature ambiante de la condition d'ltitude du moteur etc.uissance maximale diminue d'environ 3,5% pour chaque 1000 pieds au-dessus u iveau de la meret alement diminue d'environ 1% pour chaque 10 F (-12,2 C) au-dessus de 60 F (16 C) temperature ambiante.

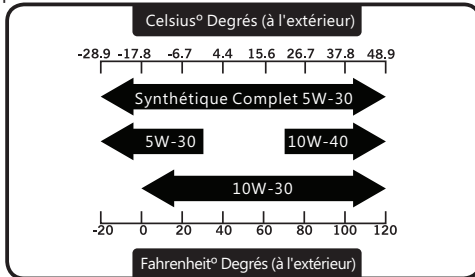
## AJOUTEZ L'HUILE DE MOTEUR

### ⚠ CAUTION

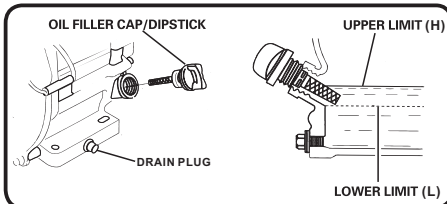
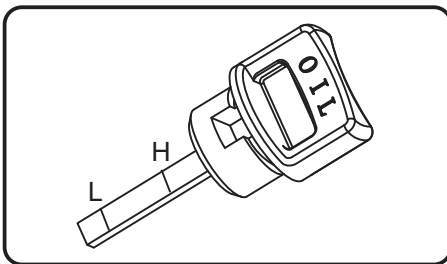
NE PAS tentez de démarrer le moteur avant qu'il ait été rempli proprement avec le type et la quantité d'huile recommandés. Les dommages au générateur comme le résultat d'échec à suivre ces instructions qui peuvent annuler votre garantie.

### NOTE:

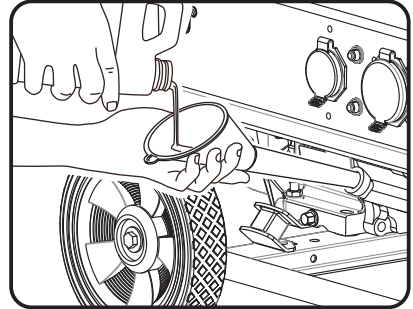
Le type d'huile recommandée est de 10W-30 huile d'automobile. Cependant les températures extérieures déterminent l'espace de viscosité de l'huile propre pour le moteur. Utilisez le tableau pour sélectionner le meilleur pour la plage de température extérieure prévue.



1. Placez le générateur sur une surface de niveau plat.
2. Nettoyez la zone autour de remplissage d'huile et enlevez le bouchon de remplissage jaune / jauge.
3. Essuyez la jauge propre.



4. Utilisez l'entonnoir d'huile, versez lentement le contenu de la bouteille d'huile fournie en remplissage d'huile ouverture à la marque " H1 " sur la jauge. Soyez prudent de ne pas trop remplir. Un remplissage excessif d'huile peut causer le moteur à ne démarrer pas ou le démarrer difficilement.



5. Remplacez le bouchon de remplissage d'huile / jauge et serrez de fond.
6. Le niveau d'huile doit être vérifié antérieur à chaque utilisation ou au moins toutes les 8 heures d'opération. Maintenez le niveau d'huile.

### ⚠ CAUTION

Le moteur est équipé avec une huile à faible arrêt et il va arrêter quand le niveau d'huile dans le moteur tombe en dessous du niveau de seuil.

### NOTE:

Nous considérons les 5 premières heures du temps d'exécution à être la période de rodage pour l'unité. Pendant la période de rodage du séjour est égale ou inférieure à 50% de la puissance en watts d'exécution et varie la charge de temps en temps pour permettre les enroulements du stator afin de chauffer et refroidir. Réglez la charge qui peut provoquer également la vitesse du moteur à varier et aider de segments de piston de siège.

### Arrêt de l'huile basse

L'unité est équipée de fermée d'une huile faible. Si le niveau d'huile devient inférieure à l'exigence, le capteur va activer un dispositif d'avertissement ou arrêter le moteur.

Si le générateur est coupé et le niveau d'huile est conforme aux spécifications, vérifiez à voir si le générateur est assis à un angle qui force l'huile à déplacer. Placez sur une surface plane pour le corriger. Si le moteur ne démarre pas, le niveau d'huile ne peut pas être suffisant pour désactiver le commutateur de niveau d'huile basse. Assurez-vous que le carter est complètement rempli d'huile.

## Ajoutez le Combustible

Le combustible doit répondre aux exigences:

- Propre, frais, l'essence sans plomb.
- Utilisez l'essence sans plomb avec le moteur du gateur du minimum 87 octane 87 AKI (91 RON)  
Pour utiliser l'altitude haute, voyez 'opération sur l'altitude haute'.
- Ne pas utiliser l'essence avec plus de 10% d'alcool comme E85 ou éthanol.

**NOTE:** Évitez le dommage de générateur.

L'éché à suivre le manuel de l'opérateur pour les recommandations du combustible de garantie vide.

- NE PAS utilisez l'essence non approuvée comme E85.
- NE PAS mangez l'huile dans l'essence.
- NE PAS modifiez le moteur avec des combustibles.



Le combustible et ses vapeurs sont extrêmement inflammables et explosifs qui peuvent causer des brûlures, incendie ou explosion en provoquant la mort, des blessures graves et / ou des dommages des matériels

### LORS D'AJOUT DE COMBUSTIBLE

- Remplissez le réservoir de combustible à l'extérieur.

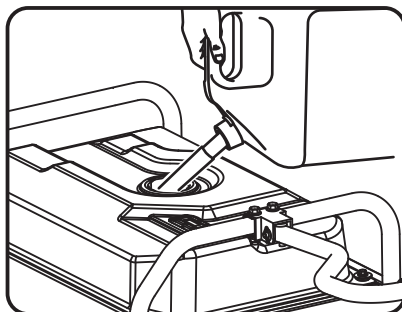


NE PAS trop remplissez le réservoir. Prévoyez un espace pour l'expansion du combustible.

- Si le réservoir est trop rempli, le combustible peut déborder sur un moteur chaud et provoquer l'incendie ou l'explosion. Essayez immédiatement tout combustible renversé.
- Si les versements de carburant, attendre son aération complète avant de démarrer le moteur.
- Éloignez l'essence des étincelles, des flammes, des veilles, de la chaleur et d'autres sources d'ignition.
- Vérifiez les conduites de combustible, le réservoir, le bouchon et les raccords de fissures ou des fuites.  
Remplacez si nécessaire.



1. Nettoyez la zone autour du bouchon de remplissage, enlevez le bouchon.
2. Ajoutez lentement du combustible sans plomb dans le réservoir de combustible. Veillez à ne pas remplir au-dessus de l'indicateur au niveau de combustible rouge. Cela permet d'espace suffisant pour l'expansion du combustible.
3. Installez le bouchon de combustible et laissez tout combustible du débordement évaporer avant de commencer le moteur ou essayer toute essence renversée.



## CAUTION

- Ajoutez l'essence sans plomb lentement au réservoir de combustible.
- Ne pas trop remplissez le réservoir.
- Ne pas remplissez au dessus de l'écran de combustible. Ceci va toute expansion dans le climat chaud et prévenir le débordement.



## Opération À La Haute Altitude

Aux altitudes en plus de 5000 pieds (1524 mètres), un indice d'octane au minimum 85/85 AKI (89 RON) l'essence est acceptable.

La densité de l'air à l'altitude haute est inférieure au niveau de la mer. La puissance du moteur est réduite car la masse d'air et de rapport air-combustible diminuent.

La sortie de la puissance du moteur et du générateur seront réduite d'environ 3,5% pour chaque tranche de 1000 pieds d'altitude au dessus du niveau de la mer. Ceci est une tendance naturelle et ne peut pas être modifié en ajustant le moteur. A l'altitude haute, l'augmentation des émissions d'échappement de gaz peut également résulter à cause de l'enrichissement accru du rapport air-combustible.

Les autres questions à l'altitude haute peuvent inclure un démarrage difficile, l'augmentation de la consommation de combustible et l'encrassement des bougies. Pour atténuer les problèmes de haute altitude autres que la perte de puissance naturelle,

FIRMAN peut fournir une haute altitude carburateur de gicleur principal. Le jet d'alternatif principal et les instructions d'installation peuvent être obtenus en contactant le support du client. Les instructions d'installation sont également disponibles dans la zone Bulletin technique sur le site internet FIRMAN. Le numéro du part et l'altitude minimale recommandée pour l'application de la haute altitude carburateur gicleur principal est répertorié dans le tableau ci-dessous.

	208cc	Altitude
Le jet principal d'altitude 1	335717002	3000-6000Feet
Le jet principal d'altitude 2	335717003	6000-8000Feet

### **⚠ AVERTISSEMENT**

L'opération à l'aide du jet d'alternatif principal aux altitudes inférieures à l'altitude minimale recommandée qui peut endommager le moteur. Pour une opération aux élévations plus basses, le jet du standard principal doit être utilisé. L'opération du moteur avec la configuration du moteur erroné à une altitude donnée qui peut augmenter ses émissions et diminuer l'efficacité et la performance du combustible.

### **Mise À La Terre**

Le Code d'électrique National exige votre générateur qui doit être correctement relié à la terre approprié pour éviter les chocs électriques.

### **⚠ AVERTISSEMENT**



Echec à mettre à la terre le générateur proprement peut entraîner un choc électrique.

Un terminal de terre reliée au cadre du générateur a été prévu sur le panneau de contrôle. Pour la terre distante, branchez une longueur de gros calibre (12 AWG minimum) de cuivre entre le terminal de terre du générateur et le piquet en cuivre enfoncé dans le sol. Nous vous recommandons fortement de consulter un électricien qualifié pour assurer la conformité aux codes électriques locaux.

IL Y A UN CONDUCTEUR PERMANENT ENTRE LE GÉNÉRATEUR(ENROULEMENT DE STATOR) ET LE CADRE.

### **Connectez Au Système Électrique D'un Bâtiment**

Connexions pour alimentation de secours au système électrique d'un bâtiment doivent être effectuées par un électricien qualifié. La connexion doit isoler la puissance du générateur de secteur d'alimentation ou d'autres sources d'énergie alternative et doit se conformer à toutes les lois et codes électriques.

### **⚠ AVERTISSEMENT**



La tension du générateur peut provoquer un choc électrique ou une brûlure en entraînant la mort ou des blessures graves.

- Utilisez l'équipement de transfert pour vous protéger des produits isolants et des travailleurs électriques.
- Lorsque vous utilisez le générateur pour l'alimentation de secours, avisez les utilisateurs de compagnie.
- Utilisez un joncteur de fuite de terre dans une zone où il y a des conduites au-dessus comme les terrasses en métal de travail en acier.
- NE PAS touchez les fils nus ou les prises.
- NE PAS utiliser le générateur avec des cordons électriques usés, effilochés, nus ou endommagés.
- NE PAS opérer le générateur dans la pluie ou le climat humide.
- Ne pas manipuler le générateur ou les cordons électriques en se tenant debout dans l'eau, pieds nus ou avec les mains ou les pieds mouillés.
- NE PAS laissez les personnes non qualifiées ou des enfants opérer le service du générateur.

## OPÉRATION

### Location de Générateur

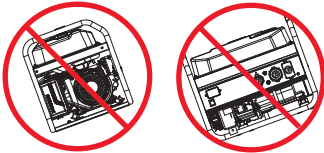
#### **⚠ AVERTISSEMENT**

Assurez-vous vérifier chaque avertissement afin de provenir le danger d'incendie.

- Gardez l'endroit libre de produits inflammables ou autres matières dangereuses.
- Sélectionnez un site sec, bien ventilé et protégé du climat.
- Gardez la pipe d'échappement claire d'objets étrangers.
- Gardez le générateur loins de feu nu.
- Gardez le générateur sur une surface stable et du niveau.

#### **⚠ CAUTION**

Inclinaison peut provoquer des fuites de combustible.



- Ne pas bloquez les événements d'air du générateur avec le papier ou l'autre matériel.

#### **⚠ DANGER**

Generator exhaust contains carbon monoxide. This is a poison you cannot see or smell.  
Échappement du générateur contient le monoxyde de carbone. C'est un poison que vous ne pouvez pas voir ou sentir.



NE JAMAIS utilisez dans une maison ou garage. MEME SI les portes et les fenêtres sont ouvertes.



JUSTE utilisez EN DEHORS et loin de fenêtres, portes et événements.

Évitez les autres dangers du générateur. Lisez le manuel avant d'utiliser.

#### **⚠ AVERTISSEMENT**

### Risque de gaz toxique.



L'échappement du moteur contient du monoxyde de carbone, un gaz toxique qui peut vous tuer dans quelques minutes. Vous ne pouvez pas le sentir, le voir, ni le goûter. Même si vous ne sentez pas de gaz d'échappement, vous pourriez encore être exposé aux gaz de monoxyde de carbone.

- Opérez cet appareil uniquement à l'extérieur loin des fenêtres, portes et ventilations à réduire le risque de monoxyde de carbone en provenant de l'accumulation et potentiellement d'être attiré vers les espaces occupés.
- Installez des alarmes de monoxyde de carbone à piles ou des alarmes de brancher l'alimentation du monoxyde de carbone avec batterie de secours selon les instructions du fabricant. Les alarmes de fumée ne peuvent pas détecter carbone le monoxyde de gaz.
- NE PAS exécutez ce produit à l'intérieur des maisons, garages, sous-sols, les vides sanitaires, abris, ou autres espaces partiellement clos, même si l'utilisation des ventilateurs ou des portes ouvertes et fenêtres pour la ventilation. Le monoxyde de carbone peut rapidement mettre en place dans ces espaces et peut persister pendant des heures, même après que ce produit est éteint.
- TOUJOURS placez ce produit sous le vent et pointez l'échappement du moteur loin des espaces occupés. Si vous commencez à vous sentir malade, étourdi, ou faible en utilisant ce produit, l'éteignez et prenez à l'air frais immédiatement. Voyez un docteur. Vous pouvez rencontrer le monoxyde de carbone toxique.

### Protection contre la surtension

#### **⚠ CAUTION**

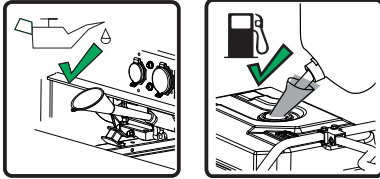
Les fluctuations de tension peuvent entraver le propre fonctionnement du sensible matériel électronique.

Les appareils électroniques, y compris les ordinateurs et de nombreux dispositifs programmables, utilisent des composants conçus pour opérer dans une plage de tension étroite et peuvent être affectés par les fluctuations momentanées de tension. Bien qu'il n'y ait aucun moyen d'empêcher les fluctuations de tension, vous pouvez prendre des mesures pour protéger les sensibles équipements électroniques.

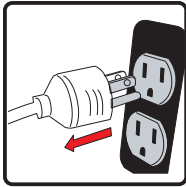
Installez UL1449, CSA-énuméré, parasurtenseurs de brancher l'alimentation sur les prises en alimentant l'équipement sensible. Les parasurtenseurs sont dans des styles simple ou multi-sortie. Ils sont conçus pour protéger virtuellement contre toutes les fluctuations de tension de courte durée.

## Démarrer le Générateur

1. Avant de démarrer le générateur, vérifiez s'il y a des pièces manquantes ou lâches et de tout dommage qui peut avoir lieu pendant le transport.
2. Vérifiez le niveau de l'huile et combustible.



3. Déconnectez toutes les charges électriques du générateur. Ne jamais démarrez ou arrêtez le générateur si des appareils électriques sont branchés ou allumés.



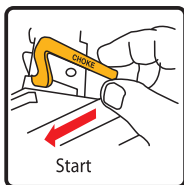
4. Tournez la valve de combustible en position «ON»(I).



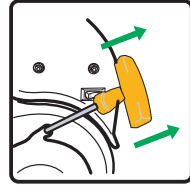
5. Appuyez sur l'interrupteur du moteur en position «ON»(I).



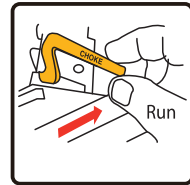
6. Placez le levier de starter en position "CHOKE".



7. Tirez sur le cordon de démarrage lentement jusqu'à sentir une résistance, puis tirez rapidement.



8. Ne pas trop étrangler. Dès que le moteur démarre et se réchauffe, déplacez le levier de l'étrangleur en position «RUN».



9. Laissez le générateur fonctionner sans charge pendant cinq minutes sur chaque démarrage initial pour permettre le moteur et le générateur à stabiliser.

### ⚠ AVERTISSEMENT



Rebond de corde de lanceur (retrait rapide) va tirer votre main et votre bras vers le moteur plus rapidement que vous pouvez laisser aller ce qui pourrait causer des OS cassés, des fractures, des contusions, entorses ou en entraînant des blessures graves.

Lors de démarrer le moteur, tirez lentement sur la corde jusqu'à sentir une résistance, puis tirez rapidement pour éviter tout recul.

### NOTE:

Gardez le levier de starter en position "CHOKE" pour seulement 1 traction du lanceur. Après la première traction, déplacez le levier de l'étrangleur en position «RUN» jusqu'à les 3 prochaines tractions du lanceur. Trop étranglement conduit à la bougie d'inondations d'encrassement /le moteur à cause de manque d'air entrant. Cela entraînera le moteur de ne pas commencer.

### NOTE:

Si le moteur démarre après 3 essais, mais ne parvient pas à exécuter, ou si l'appareil éteint pendant l'opération, assurez-vous que l'unité est sur une surface du niveau et vérifiez le niveau d'huile propre dans le carter de moteur. Cet appareil peut être équipé d'un dispositif de protection de l'huile basse. Si oui, l'huile doit être au niveau propre pour le moteur à démarrer.

## Connectez Les Charges Électriques

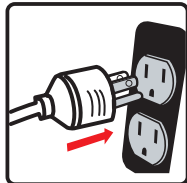
Cette unité a été prétestée et ajustée pour manipuler sa pleine capacité. Avant de démarrer le générateur, débranchez toutes les charges. Appliquez la charge seulement après que le générateur est en marche. La tension est réglée par la vitesse du moteur réglé en usine pour la sortie correcte. Réajustant annulera la garantie.

### ⚠ CAUTION

Lors d'appliquer la charge, ne pas dépassez la puissance nominale au maximum de générateur en utilisant un ou plusieurs récipients. Aussi, ne pas dépassez l'ampérage nominal de chaque prise.

Ne pas appliquez charge électrique lourde pendant la période de rodage (les deux ou trois premières heures de fonctionnements).

1. Laissez le moteur se stabiliser et chauffer pendant quelques minutes après le démarrage.
2. Assurez que le disjoncteur sur le panneau de contrôle est en position.
3. Branchez et mettez sur le désiré de 120 volts de courant alternatif, monophasé, 60Hz charges électriques. Il est préférable de joindre l'élément avec la plus grande première charge.



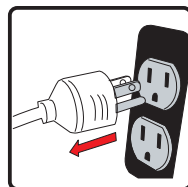
### NOTE:

Connectez un générateur aux lignes d'alimentation de votre entreprise électrique d'utilité ou à une autre source d'énergie qui peut être contraire à la loi. En plus de cette action, si mal fait, il pourrait endommager votre générateur et appareils et causer des blessures graves ou même la mort pour vous ou un travailleur d'utilité qui peut travailler sur les lignes électriques à proximité. Si vous envisagez de faire tourner un générateur électrique portable lors d'une panne, s'il vous plaît avisez votre compagnie d'électricité immédiatement et se rappelez de brancher vos appareils directement dans le générateur. Ne branchez le générateur dans une prise électrique dans votre maison. Cela pourrait créer une connexion aux lignes électriques de la compagnie d'électricité. Vous êtes responsable de veiller à ce que l'électricité de votre générateur ne pas réinjecte dans les lignes

électriques de l'électricité. Si le générateur est connecté à un système électrique du bâtiment, consultez votre compagnie d'électricité locale ou un électricien qualifié. Les connexions doivent isoler la puissance du générateur du secteur d'alimentation et doivent se conformer à toutes les lois et réglementations applicables.

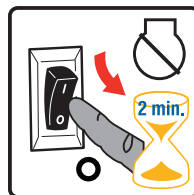
## S'arrêtez le moteur

1. Enlevez les charges électriques entières. Ne jamais démarrez ou arrêtez le générateur si les appareils électriques sont branchés ou allumés.



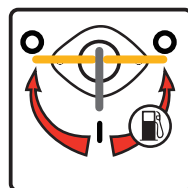
Laissez le générateur tourner sans charge pendant plusieurs minutes afin de stabiliser les températures internes du moteur et du générateur.

2. Appuyez sur l'interrupteur du moteur en position «OFF»(O).



Ne pas laisser le générateur jusqu'à ce qu'il soit complètement arrêté.

3. Tournez la valve de combustible en position «OFF»(O).



Si une couverture est utilisée, ne pas installez jusqu'à l'appareil est refroidi.

### ⚠ AVERTISSEMENT



Le combustible et ses vapeurs sont extrêmement inflammables et explosives qui peut causer des brûlures, incendie ou explosion en entraînant la mort, des blessures graves et / ou des dommages des matériels.

---

Ne s'arrêtez pas le moteur en déplaçant la commande de starter en position "**CHOKE**".

**Important:** Assurez-vous toujours que la vanne de combustible et l'interrupteur du moteur sont en position "**Fermer**" lorsque le moteur n'est pas utilisé.

Si le moteur ne va pas être utilisé pendant une période de deux semaines ou plus, voyez la section de stockage pour le moteur propre et le stockage de combustible, s'il vous plaît.

### **Enfermement De L'huile Basse**

Si l'huile du moteur tombe en dessous d'un niveau prédéfini, un commutateur de l'huile s'arrête le moteur. Vérifiez le niveau de l'huile avec la jauge. Si le niveau de l'huile est entre la marque BAS et HAUT sur la jauge:

1. Ne pas essayez de redémarrer le moteur.
2. Contactez un concessionnaire du service de FIRMAN autorisé.
3. Ne pas opérez le moteur jusqu'à le niveau de l'huile est corrigé.

Si le niveau de l'huile est en dessous de marque de basse:

1. Ajoutez l'huile pour amener le niveau à la marque HAUT.
2. Redémarrez le moteur et si le moteur s'arrête encore, la condition de l'huile basse peut encore exister. Ne pas essayez de redémarrer le moteur.
3. Contactez un concessionnaire du service de FIRMAN autorisé.
4. Ne pas opérez le moteur jusqu'à le niveau de l'huile est corrigé.

### **Ne Pas Surchargez Le Générateur**

Surchargez un générateur au delà de sa capacité de puissance nominale peut causer des dommages au générateur et aux appareils électriques connectés. Afin de prolonger la vie de votre générateur et appareil attaché, suivez ces étapes à ajouter la charge électrique:

1. Démarrez le générateur sans aucun charge électrique attachée.
2. Laissez le moteur opérer pendant plusieurs minutes à stabiliser.
3. Branchez et allumez sur premier article. Il est le meilleur à attacher l'article avec la charge la plus grande tout d'abord.
4. Laissez le moteur à stabiliser.
5. Branchez et allumez l'article suivant.
6. Laissez le moteur à stabiliser.
7. Répétez étapes 5-6 pour chaque article additionnel.

# L'ENTRETIEN ET LA CONSERVATION

## LE CALENDRI

ITEM	NOTES	Daily(Before operation)	Initial 25 hours	Every 50 hours	Every 100 hours (or annual)
Bougie	Condition d'inspecter. Ajustez l'écart et nettoyez. Remplacez si nécessaire.				✓
Huile de Moteur	Inspectez le niveau d'huile.	✓			
	Remplacez.		✓		✓
Filtre D'air	Nettoyez, remplacez si nécessaire.			✓	
Filtre de Carburant	Nettoyez le filtre de carburant et la passoire à réservoir d'huile. Remplacez si nécessaire.				✓
Tuyau D'huile	Inspectez le tuyau s'il y a de fissures ou d'autre détérioration. Remplacez si nécessaire.	✓			
Système D'échappement	Inspectez la fuite. Resserrez ou remplacez le shimme si nécessaire.	✓			
	Inspectez l'écran du stoppeur de la bougie. Nettoyez /Remplacez si nécessaire..				✓
Carburateur	Inspectez l'étouffement.	✓			
Système de Démarrage	Inspectez le fonctionnement du lanceur.	✓			
Raccords / Attaches	Inspectez et remplacez si nécessaire.				✓

## Recommandations Générales

Un entretien régulier permettra d'améliorer les performances et de prolonger la vie du générateur. Voir les revendeurs autorisés pour le service.

La garantie du générateur ne comprend pas les articles qui appartiennent aux mauvais traitements ou à la négligence de l'opérateur. Pour recevoir la pleine valeur de la garantie, l'opérateur doit maintenir le générateur selon l'instruction dans ce manuel.

Certains ajustements devront être faits périodiquement pour maintenir correctement votre générateur.

Tous les services et ajustements doivent être réalisés au moins une fois chaque saison. Suivez les exigences dans le tableau ci-dessus: le calendrier d'entretien.

**AVIS:** Une fois par an, vous devez nettoyer ou remplacer la bougie et, remplacer le filtre d'air. Les nouvelles bougies et le filtre d'air assurent le mélange carburant-air propre et, vous aident marcher mieux votre moteur et la durer plus longtemps.

## ENTRETIEN DU MOTEUR

Pour empêcher un démarrage accidentel, retirez le fil de contact de la bougie avant d'effectuer tout service.

## CHANGEMENT D'HUILE DE MOTEUR

Changez l'huile de moteur toutes les 100 heures. (pour un nouveau moteur, changez l'huile après 25 heures.)

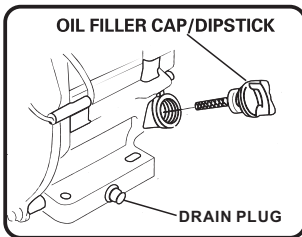
Si vous utilisez votre générateur dans des conditions extrêmement sales ou poussiéreux, ou dans le temps très chaud, changez l'huile plus souvent.

### ⚠ CAUTION

Eviter le contact de la peau durable ou fréquenté avec de l'huile de moteur usagée.

- L'huile de moteur usée a été démontré qu'il cause le cancer de la peau chez certains laboratoires à animaux.
- Lavez soigneusement les zones exposées avec de l'eau et du savon.

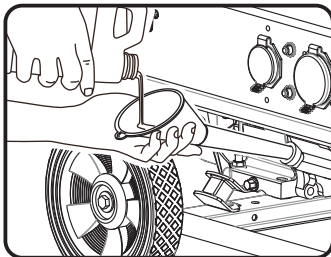
(a) Vidangez l'huile en enlevant le bouchon de vidange et le bouchon de remplissage d'huile alors que le moteur est chaud.



### NOTE:

Veuillez utiliser un conteneur de larguer le pétrole utilisé pour la protection de l'environnement.

(b) Rétablissez le bouchon de vidange et comblez le moteur avec le pétrole jusqu'à ce qu'il atteigne le haut niveau d'huile (H) sur le bouchon.



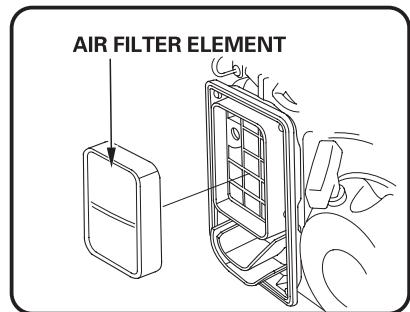
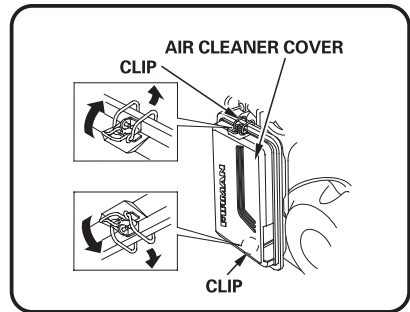
- Utilisez l'huile lubrifiante frais avec la bonne qualité à la quantité spécifiée. Si l'huile contaminée ou détériorée est utilisé ou la quantité de l'huile de moteur ne suffit pas, les dommages du moteur se produit et sa durée de vie sera grandement réduite.

## L'ENTRETIEN DU FILTRE D'AIR

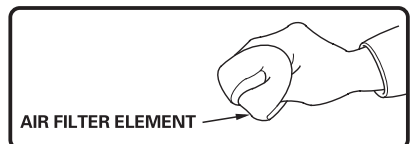
Le maintien d'un filtre d'air en bon état est très important. La saleté induite par mal installé, mal entretenu, ou des éléments de dommages disconvenants et par les moteurs usés.

Toujours garder l'élément propre.

(a) Sortez le filtre d'air, nettoyez-le bien dans le kérosène et le sécher.



(b) Après le mouillage de l'élément nettoyé avec l'huile de moteur, et serré par la main.

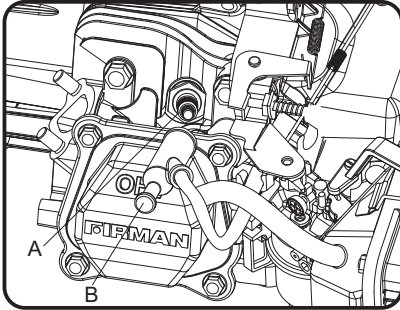


(c) A la fin, mettez l'élément dans le boîtier et l'installez en toute sécurité.

## L'ENTRETIEN DE BOUGIE

Changeant de la bougie aidera votre moteur de démarrer plus facilement et de mieux fonctionner.

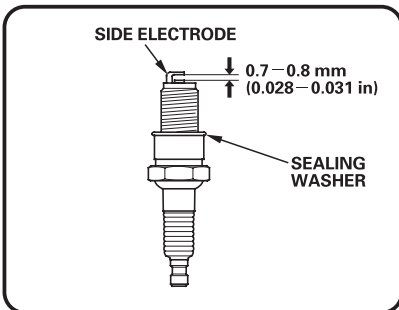
- Retirez le capuchon de bougie.
- Retirez la bougie à l'aide de la clé fournie.



A- Bougie

B- Capuchon de bougie

- Inspectez le dommage de la bougie et le nettoyer avec une brosse métallique avant la réinstallation.
- Ajustez l' écart d' électrode de 0,7 à 0,8 mm (0028 "à 0031").
- Mettez la bougie en position et enfoncez-la avec la main pour éviter les enfler.
- Serrez la bougie avec la clé fournie et mettez le capuchon sur la bougie.

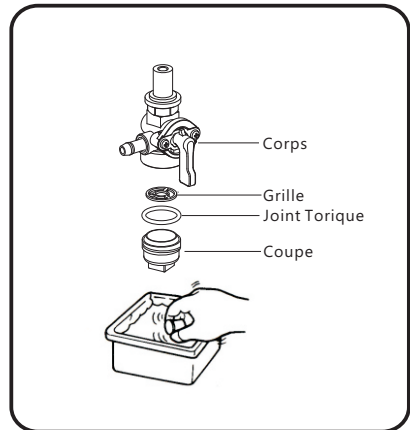


Bougie: TORCH F6RTC  
NGK BPR6ES  
CHAMPION RN9YC equivalent.

## NETTOYAGE DU FILTRE DE CARBURANT

La saleté et l'eau dans le carburant sont éliminés par le filtre de carburant.

- Retirez la coupe du tamis et jetez l'eau et la saleté.
- Nettoyez les grilles et la coupe du tamis avec de l'essence.
- Bien attacher la coupe au corps, en veillant à éviter la fuite de carburant



## INSPECTEZ SILENCIEUX ET PARE-ÉTINCELLES

Inspectez le silencieux pour des fissures, des corrosions ou d'autres dommages.

Retirez le pare-étincelles, en cas d'échément, et inspectez des dommages ou de blocage de carbone. Si le remplacement de pièces sont nécessaires, assurez-vous d'utiliser uniquement des pièces d'équipement d'origine

### ⚠ AVERTISSEMENT



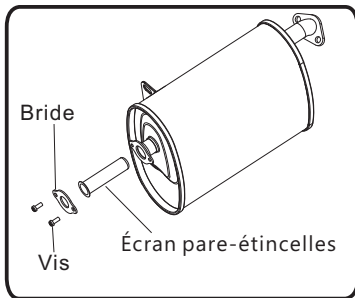
La chaleur d'échappement/gaz pourrait s'enflammer de combustibles, des structures ou des dommages de réservoir causant un incendie, résultant de la mort ou de graves lésions et/ou des biens. La contact avec la zone de la silencieux peut causer des brûlures qui entraîne des blessures graves.

- **NE PAS** toucher les pièces chaudes et évitez d'échappement de gaz chauds.
- Laissez l'équipement refroidir avant de le toucher.
- Gardez au moins 5 pieds (1,5 m) de dégagement de tous les côtés de générateur, y compris le haut.
- Le remplacement des pièces doit être les mêmes et installé dans la même position que les pièces d'origine.

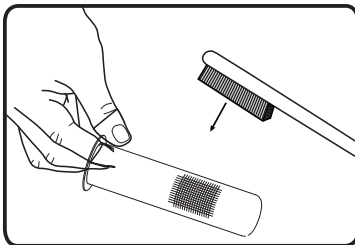
### Nettoyez ou remplacez le pare-étincelles comme suit:

Selon le type de carburant utilisé, le type et la quantité de lubrifiant utilisé, et/ou les conditions de fonctionnement, la partie d'échappement et le silencieux peuvent être obstrués par des dépôts de carbone. Si vous remarquez une perte de puissance, vous devrez peut-être retirer ces dépôts pour rétablir les performances.

1. Laissez le moteur refroidir complètement avant de réparer le pare-étincelles.
2. Retirez les vis de fixation du pare-étincelles en place et le retirer du silencieux.



3. Retirez soigneusement les dépôts de carbone à partir de l'écran pare-étincelles avec une brosse métallique.



4. Remplacez le pare-étincelles si elle est endommagée.
5. Placez le pare-étincelles dans le silencieux et le fixez avec les vis.

### **CAUTION**

Le nettoyage échoué de pare-étincelles s'entraîne une dégradation de la performance du moteur.

### **L'ENTRETIEN DU GÉNÉRATEUR**

Assurez-vous que le générateur est maintenue propre et stocké correctement. Ne faire fonctionner l'appareil sur une surface plane et à niveau dans un environnement de travail propre et sec. **NE PAS** exposer l' appareil à des conditions extrêmes, à la poussière, la saleté, humidité ou vapeurs corrosives.

### **CAUTION**

**NE PAS** utiliser un tuyau d'arrosage pour nettoyer le générateur. L'eau peut pénétrer dans le générateur à travers les fentes d'aération et endommager les enroulements de générateur.

Utilisez un chiffon humide pour nettoyer les surfaces extérieures de la génératrice.

Utilisez une brosse à poils doux pour enlever la saleté et l'huile.

Utilisez un compresseur d'air (25 PSI) pour retirer la poussière et les débris du générateur.

Inspectez tous les évacuations d'air et le slot de refroidissement pour assurer qu'ils sont propres et dégagés.

## SERVICE ET STOCKAGE

### SERVICE PEU FREQUENT

Si l'appareil est rarement utilisé, il peut entraîner des difficultés au démarrage. Pour éliminer un démarrage difficile, suivez les instructions suivantes:

1. Fonctionnez le générateur au moins 30 minutes chaque mois.
2. Fonctionnez le générateur, puis fermez la vanne d'arrêt de carburant et permettez à l'appareil de fonctionner jusqu'à l'arrêt du moteur.
3. Déplacez le commutateur du moteur à la position «**OFF**».

### STOCKAGE À LONG TERME

Lorsque le groupe-générateur ne soit pas utilisé ou est stocké plus d'un mois, suivez les instructions suivantes:

1. Reconstituez l'huile de moteur au niveau supérieur.
2. Fonctionnez le générateur, puis fermez la vanne d'arrêt de carburant de et permettez à l'appareil de fonctionner jusqu'à l'arrêt du moteur.
3. Déplacez le commutateur du moteur à la position «**OFF**».
4. Lorsque l'appareil est refroidi, égouttez l'essence du réservoir de carburant, de la conduite de carburant et du carburateur.
5. Versez environ une cuillère à café d'huile de moteur dans le trou de la bougie, tirez le lanceur plusieurs fois et remplacez la bougie. Ensuite, tirez le démarreur jusqu'à ce que vous sentez que le piston est sur sa course de compression et le laissez dans cette position. Ceci ferme les deux soupapes d'admission et d'échappement pour empêcher l'intérieur du cylindre de rouiller.
6. Couvrez l'appareil et le rangez dans un endroit propre, sec et bien ventilé à l'écart de toute flamme ou d'étincelles.

**REMARQUE:** Nous recommandons de toujours utiliser un stabilisateur de carburant. Un stabilisateur de carburant permet de minimiser la formation de dépôts de gomme de carburant pendant le stockage. Le stabilisateur de carburant peut être ajouté à l'essence dans le réservoir de carburant, ou dans un réservoir de stockage.

### JAMAIS UTILISER L'EAU POUR NETTOYER LE GÉNÉRATEUR.

- Retirez la poignée du démarreur jusqu'à ce que la résistance se fait sentir, laissant la poignée dans cette position.

- Stockez le générateur dans une zone de faible humidité et bien aéré.

### **AVERTISSEMENT**

Échappement du générateur contient du monoxyde de carbone incolore et inodore.

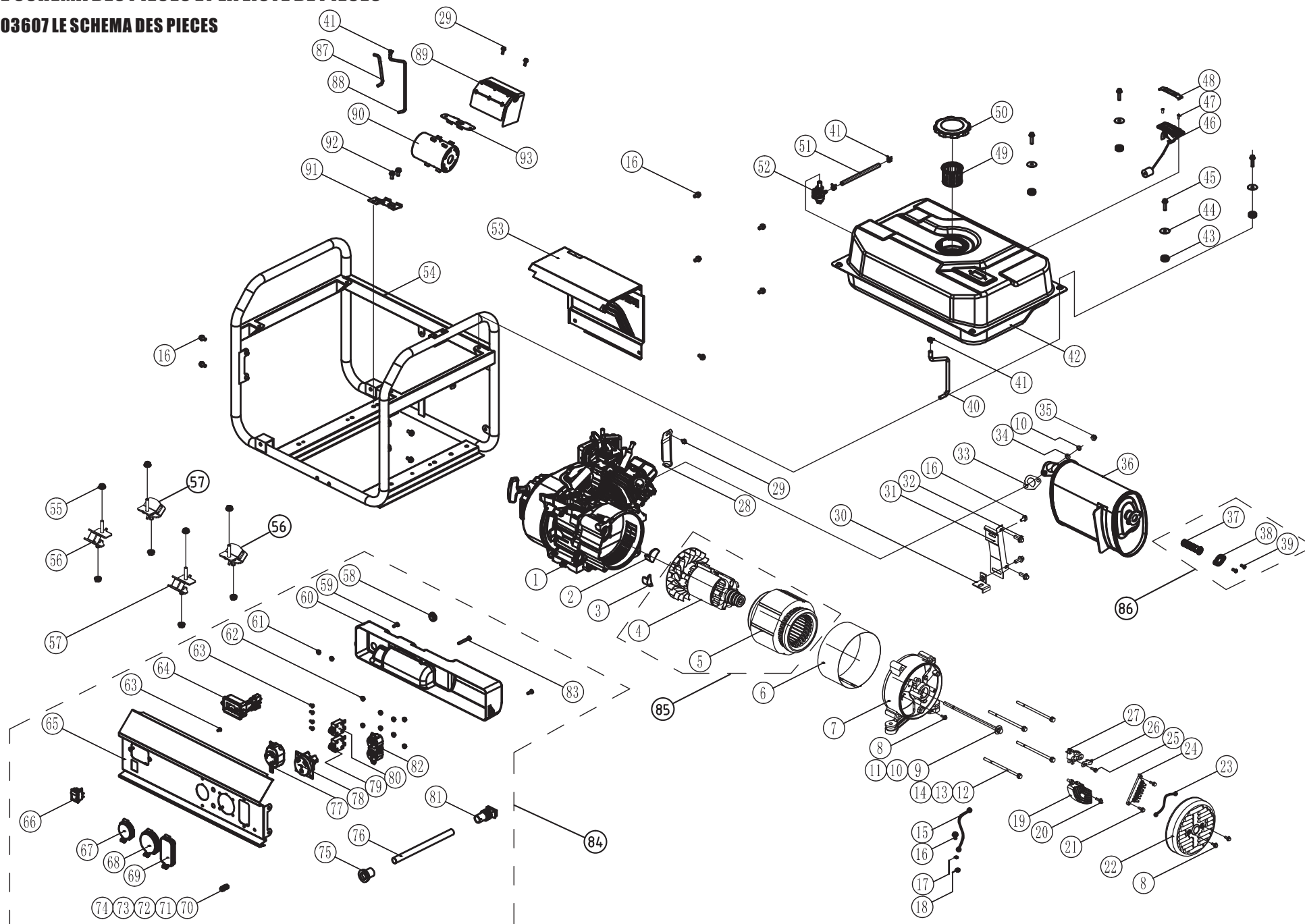
Pour éviter l'inflammation accidentelle ou involontaire de votre générateur pendant les périodes de stockage, les précautions suivantes doivent être suivies: Lors du stockage du générateur pour des périodes plus ou moins longues assurez-vous que le commutateur de moteur et la vanne de carburant sont mis en position **OFF**.

## LE DÉPANNAGE

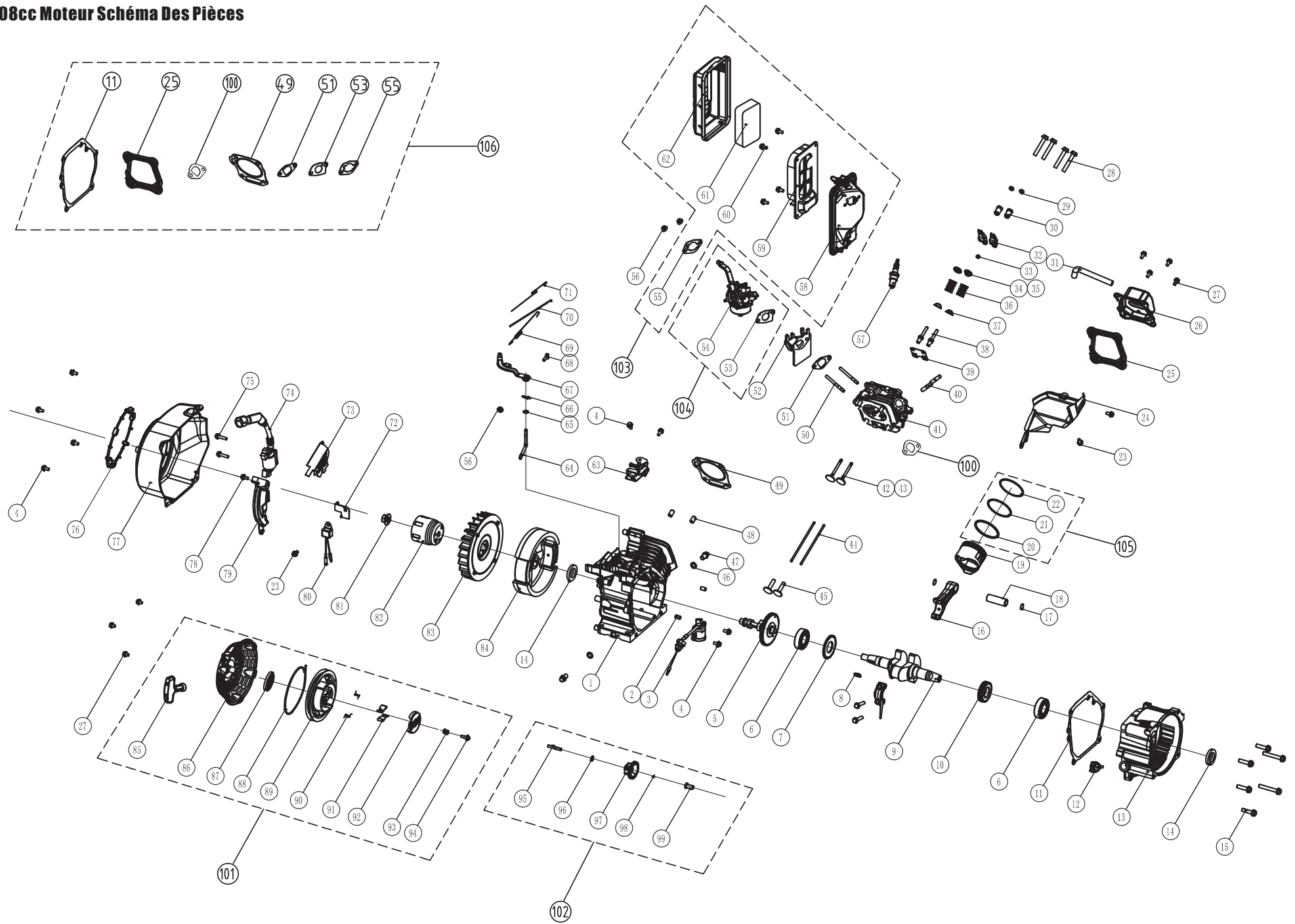
Problème	Cause	Correction
<b>Le moteur marche, mais pas de sortie de CA est disponible</b>	<ol style="list-style-type: none"> <li>1. Disjoncteur est ouvert.</li> <li>2. Défaut dans le générateur.</li> <li>3. Pauvre connexion ou rallonge défectueuse.</li> <li>4. Dispositif branché est défectueux.</li> </ol>	<ol style="list-style-type: none"> <li>1. Réenclenchez le disjoncteur.</li> <li>2. Contactez le dispositif de service autorisé.</li> <li>3. Vérifiez et réparez.</li> <li>4. Branchez un autre dispositif qui est en bon état.</li> </ol>
<b>Le moteur marche bien sans charge mais "enlise" lorsque les charges sont connectés.</b>	<ol style="list-style-type: none"> <li>1. Court-circuité dans une charge connectée.</li> <li>2. La vitesse du moteur est trop lent.</li> <li>3. Générateur est surchargé.</li> <li>4. Court-circuité du générateur .</li> <li>5. Filtre de carburant bouché ou sale.</li> </ol>	<ol style="list-style-type: none"> <li>1. Débranchez la charge électrique en court-circuité.</li> <li>2. Contactez le dispositif de service autorisé.</li> <li>3. Voir Ne Pas Surcharger Générateur.</li> <li>4. Contactez le dispositif de service autorisé.</li> <li>5. Nettoyez ou remplacez le filtre de carburant.</li> </ol>
<b>Le moteur ne démarre pas; démarre et marche mal ou arrête lors de fonctionnement.</b>	<ol style="list-style-type: none"> <li>1. Déplacez le commutateur du moteur à la position «OFF» (O)</li> <li>2. Mettez levier d'arrêt de carburant en position OFF (O)</li> <li>3. Niveau d'huile bas.</li> <li>4. Filtre d'air sale.</li> <li>5. Manque de carburant.</li> <li>6. Carburant éventé.</li> <li>7. Fil de bougie n'est pas connecté à la bougie.</li> <li>8. Mauvaise bougie d'allumage.</li> <li>9. Eau dans le carburant.</li> <li>10. Inondées.</li> <li>11. Mélange de carburant trop riche.</li> <li>12. La soupape d'admission bloquée en position ouverte ou fermée.</li> <li>13. Moteur a perdu de compression.</li> <li>14. Filtre de carburant est bouché ou sale.</li> </ol>	<ol style="list-style-type: none"> <li>1. Déplacez le commutateur du moteur à la position «ON» (I)</li> <li>2. Mettez le levier d'arrêt de carburant en position ON (I)</li> <li>3. Remplir le carter au niveau requis ou placez le générateur sur une surface plane.</li> <li>4. Nettoyez ou remplacez le filtre d'air.</li> <li>5. Remplissez du carburant dans le réservoir.</li> <li>6. Vidangez le réservoir de carburant et le carburateur; remplissez avec du carburant frais.</li> <li>7. Connectez le fil à la bougie.</li> <li>8. Remplacez la bougie.</li> <li>9. Vidangez le réservoir d'essence et le carburateur; remplissez avec du combustible neuf.</li> <li>10. Attendez 5 minutes et réinstallez la manivelle du moteur.</li> <li>11. Contactez le dispositif de service autorisé.</li> <li>12. Contactez le dispositif de service autorisé.</li> <li>13. Contactez le dispositif de service autorisé.</li> <li>14. Nettoyez ou remplacez le filtre de carburant.</li> </ol>
<b>Le moteur manque de puissance.</b>	<ol style="list-style-type: none"> <li>1. La charge est trop élevée.</li> <li>2. Filtre d'air sale.</li> <li>3. Filtre de carburant obstrué ou sale.</li> <li>4. pare-étincelles bouché.</li> </ol>	<ol style="list-style-type: none"> <li>1. Ne Pas Surcharger Générateur</li> <li>2. Remplacez le filtre d'air.</li> <li>3. Nettoyez ou remplacez le filtre de carburant.</li> <li>4. Nettoyez ou remplacez pare-étincelles.</li> </ol>
<b>Moteur "chasses" ou vacille.</b>	<ol style="list-style-type: none"> <li>1. Le carburateur est trop riche ou trop pauvre.</li> <li>2. Filtre de carburant obstrué ou sale.</li> </ol>	<ol style="list-style-type: none"> <li>1. Contactez le dispositif de service autorisé.</li> <li>2. Clean or replace fuel filter.</li> </ol>
<b>Le moteur s'arrête lors de fonctionnement.</b>	<ol style="list-style-type: none"> <li>1. Manque de carburant.</li> <li>2. Filtre d' air sale.</li> <li>3. Niveau d'huile bas.</li> </ol>	<ol style="list-style-type: none"> <li>1. Remplissez le réservoir de carburant</li> <li>2. Nettoyez ou remplacez le filtered'air</li> <li>3. Remplissez le carter au niveau requis ou placez le générateur sur une surface plane.</li> </ol>

# LE SCHEMA DES PIECES ET LA LISTE DE PIECES

## P03607 LE SCHEMA DES PIECES



# 208cc Moteur Schéma Des Pièces





## FIRMAN 208cc Liste des Pièces de Moteur

NO.	Part Number	Description	Qty.
1	336723500	Assemblage De Carter.	1
2	336723501	Goupilles De Positionnement	2
3	336723502	Capteurs, Huile Moteur	1
4	336723503	Bolt M6 x 12	8
5	336723504	L'assemblage D'arbres A Cames	1
6	336723505	Palier	2
7	336723506	Gear, Vilebrequin	1
8	336723507	Clé Woodruff	1
9	336723508	Vilebrequin	1
10	336723509	Gears, Engrenage	1
11	336723510	Joint, Carter	1
12	336723511	Ensemble Jauge	1
13	336723512	Couverture, Carter	1
14	336723513	L'huile De Phoque	2
15	336723514	Boulon M8 x 32	6
16	336723515	Leviers Liés	1
17	336723516	Clip, Axe De Piston	2
18	336723517	Pin, Piston	1
19	336723518	Piston	1
20	336723519	Anneaux, Huile	1
21	336723520	Ring, Deuxième	1
22	336723521	Bague Pour La Première Fois	1
23	336723522	Bolt M6 x 8	3
24	336723523	Air Guidée	1
25	336723524	Joint, Couvercle de Culasse	1
26	336723525	Couvrir Sous Assemblée, Culasse	1
27	336723526	Bolt M6 x 15	7
28	336723527	Boulon M8 x 55	4
29	336723528	Valve Nuts, Serrure	2
30	336723529	Réglementer Écrou De La Valve	2
31	336723530	Tube De Respiration	1
32	336723531	Soupape De Culbuteur	2
33	336723532	Rotator, Soupape	1
34	336723533	Holder, La Soupape D'admission	1
35	336723534	Holder, Soupape D'échappement	1
36	336723535	Ressort, La Soupape	2
37	336723536	Seal, Valve	2
38	336723537	Boulons, Valves Ajustées	2
39	336723538	Plate Assemblée Sub, Lifter Stopper	1
40	336723539	Exhaust Valve Stud	2
41	336723540	Head Subassembly, Cylinder	1
42	336723541	Porte En	1
43	336723542	Valve, Échappement	1
44	336723543	Putter	2
45	336723544	Levage, Soupape	2
46	336723545	Lave-linge, Boulon D'huile	2
47	336723546	Bolt, Le Bouchon De Vidange	2
48	336723547	Goupilles De Positionnement	2
49	336723548	Joint De Culasse	1
50	336723549	Stud, En	2
51	336723550	Joints, Apport	1
52	336723551	Plate, L'isolant Du Carburateur	1
53	336723552	Joint Carburateur	1

NO.	Part Number	Description	Qty.
54	336723553	Carburateur	1
55	336723554	Gskt., Filtre A Air	1
56	336723555	Nut M6	3
57	336723556	Bougie D'allumage	1
58	336723557	Coude, Filtre A Air	1
59	336723558	Bardeau	1
60	336723559	Montage Bolt, Filtre A Air	4
61	336723560	Element, Filtre A Air	1
62	336723561	Cover, Filtre A Air	1
63	336723562	Ensemble De Commande	1
64	336723563	Arbre, Gouverneur Arm	1
65	336723564	Rocker Shim	1
66	336723565	Pin, Arbre	1
67	336723566	Arm, Gouverneur	1
68	336723567	Bolt, Gouverneur Arm	1
69	336723568	Spring, Gov	1
70	336723569	Rod, Gouverneur	1
71	336723570	Spring, Papillon Return	1
72	336723571	Retenue, Diode	1
73	336723572	Carénages	1
74	336723573	Bobine D'allumage	1
75	336723574	Fig. Bolt M6 x 25	2
76	336723575	Cercle Protect	1
77	336723576	Fan Cover Comp	1
78	336723577	Fig. Bolt M6 x 20	1
79	336723578	Air Guide, Cote Droit	1
80	336723579	Ensemble Diode	1
81	336723580	Contre-écrou	1
82	336723581	Poulie, Starter	1
83	336723582	Ventilateur	1
84	336723583	Volant Comp	1
85	336723584	Grip, Starter	1
86	336723585	Affaire Comp., Lanceur	1
87	336723586	Spring, Starter Return	1
88	336723587	Corde	1
89	336723588	Poulie, Lanceur	1
90	336723589	Spring, Patchet	2
91	336723590	Patchet, Starter	2
92	336723591	Guide Pawl	1
93	336723592	Clip Sprg., Guide De Cliquet	1
94	336723593	Screw, Guide De Cliquet	1
95	336723594	Gov., Arbre Roue	1
96	336723595	Lave Inner, Roue	1
97	336723596	Gear, Gouverneur	1
98	336723597	Clip, Gouverneur Vitesse	1
99	336723598	Bague, Gouverneur Vitesse	1
100	336713532	Auspuffdichtung	1
101	336423500	Recoil Starter Set	1
102	336423501	Conseil Gear Set	1
103	336423502	Air Cleaner Set	1
104	336423503	Carburateur Set	1
105	336423504	Piston Rings Set	1
106	336423505	Jeu De Joint	1

## INFORMATION DE SERVICE

**CONTACTEZ LE DEPARTEMENT DE SERVICE DE PRODUIT DE FIRMAN PAR 1-844-347-6261 OU ALLEZ SUR LE SITE: [www.firmangenerators.com](http://www.firmangenerators.com) pour obtenir les informations de service de garantie, ou afin de commander les pièces de remplacement et les accessoires.**

## COMMENT COMMANDER DES PIÈCES DE REMPLACEMENT

Même la qualité de construction des équipements tels que le générateur électrique que vous avez acheté pourrait avoir besoin des pièces de remplacement occasionnels pour maintenir en bon état au fil des ans. Pour commander des pièces, veuillez donner les informations suivantes.

1. N° de modèle, Rév., Niveau et N° de série et toutes les spécifications indiquées sur le modèle n°/n° de série plaque.
2. Des pièces ou des chiffres, comme indiqué dans la section de « Liste des pièces ».
3. Une brève description du problème avec le générateur.

### ENREGISTREZ VOTRE PRODUIT

Enregistrez votre produit de Firman générateur en ligne sur at [www.firmangenerators.com](http://www.firmangenerators.com).

## GARANTIE

**FIRMAN OFFRE Trois (3) ans de garantie limitée**

### Conditions De La Garantie

FIRMAN générateur enregistre la garantie dès la réception de votre carte de garantie et une copie de votre facture d'achat de l'un des magasins de détail de Firman comme preuve d'achat. Veuillez soumettre votre enregistrement de la garantie et votre preuve d'achat dans les dix (10) jours de la date d'achat.

### Garantie de Réparation / Remplacement

Garantie de Firman à l'acheteur original que les composants mécaniques et électriques seront exempts de défauts de matériaux et de fabrication pour une période d'un (1) an (pièces et main-d'œuvre) et trois (3) ans (pièces) à partir de la date d'achat originale 90 jours (pièces et main-d'oeuvre) et 180 jours (pièces) à l'usage commercial et industriel. Les frais de transport du produit pour réparation ou remplacement sous cette garantie sont de la seule responsabilité de l'acheteur. Cette garantie est applicable uniquement à l'acheteur original et est incessible.

### Ne Pas Renvoyer L'appareil Au Lieu D'achat

Contactez le Centre de Service de FIRMAN et, FIRMAN diagnostiquera tout problème par téléphone ou par E-mail.

Si le problème est pas résolu par cette méthode, FIRMAN, à sa discrétion, permettra l'évaluation, la réparation ou le remplacement de la pièce ou du composant défectueux dans un centre de service FIRMAN. FIRMAN vous fournira un numéro de cas pour le service de garantie. Veuillez le garder pour la référence au future. Les réparations ou remplacements sans autorisation préalable, ou dans un centre de réparation non autorisée, ne seront pas compris par cette garantie.

### Exclusions de Garantie

Cette garantie ne comprend pas les réparations et équipements suivants:

---

## Usure Normale

Votre produit a besoin de pièces et de service périodiques de bien performer. Cette garantie ne comprend pas les réparations quand d'une partie ou de l'équipement ensemble a épuisé à l'usage normale pendant la durée de vie.

## Installation, Utilisation et Entretien

Cette garantie ne sera pas applicable aux pièces et/ou à la main-d'oeuvre si votre produit est réputé avoir été mal utilisé, négligé, impliqué dans un accident, abusé, chargé au-delà des limites de la génératrice, modifié, installé inadéquatement ou mal connecté à un composant électrique. L'entretien normal n'est compris pas par cette garantie.

## Les Autres Exclusions

Cette garantie exclut:

- Défauts cosmétiques comme la peinture, les autocollants, etc.
- Les pièces d'usure,
- Pièces accessoires,
- Les défauts à cause des actes de Dieu et autres événements de force majeure hors du contrôle du fabricant,
- Les problèmes causés par des pièces qui ne sont pas des pièces originales de FIRMAN.

## Limites De La Garantie Implicite Et Des Dommages Indirects

FIRMAN décline toute obligation de couvrir toute perte de temps, l'utilisation de ce produit, le fret ou toute autre réclamation secondaire ou indirect par quiconque d'utiliser ce produit. CETTE GARANTIE EST EN LIEU ET PLACE DE TOUTE AUTRE GARANTIE, EXPLICITE OU IMPLICITE, Y COMPRIS LES GARANTIES DE QUALITÉ MARCHANDE OU D'ADAPTATION À UN USAGE PARTICULIER.

Une unité fournis en remplacement seront soumis à la garantie de l'unité originale. La durée de la garantie du produit échangé continuera à être calculée en fonction de la date d'achat de l'unité d'origine.

Cette garantie vous donne certains droits juridiques qui peuvent varier d'un pays à l'autre. Votre pays peut également avoir d'autres droits que vous pourriez avoir ce qui ne sont pas mentionnés dans cette garantie.

## Contact Information

You may contact FIRMAN at:

## Address

Firman Power Equipment Inc.  
Attn: Customer Service  
14131 N Rio Vista Blvd Suite 9  
Peoria, AZ 85381  
www.firmangenerators.com

*Nous sommes PUISSANCE FIRMAN - Et nous sommes là pour vous.*

*Service Clientèle- 1-844-347-6261(844-FIRMAN1)*

*6am PST(9am EST) jusqu'à 8pm EST(5pm PST)*

*Service technique Bureau - 1-844-347-6261(844-FIRMAN1)*

*6am PST(9am EST) jusqu'à 8pm EST(5pm PST)*

*24/7 Support Technique - 1-844-347-6261(844-FIRMAN1)*

---

---

# FIRMAN POWER EQUIPMENT INC.

## LA GARANTIE DU SYSTÈME D'EMISSION

### LA DÉCLARATION DE GARANTIE DU CONTROLE DES EMISSIONS D'ÉCHAPPEMENT ET D'ÉVAPORATION POUR MOTEURS DE L'ESSENCE, CALIFORNIE ET LA FÉDÉRATION

#### DES DROITS ET DES OBLIGATIONS DE VOTRE GARANTIE

La Commission de l'air Ressources de Californie, l'Agence de la Protection Environnemental des Etats-Unis ("EPA") et FIRMAN Energie Electrique,SARL (FIRMAN), sont contents d'expliquer la garantie des systèmes de contrôle des émissions et évaporations d'échappement de gaz sur votre Petit Moteur Hors-Route ("PMHR") et de l'équipement du moteur alimenté dans les années 2016-2017 ou tard le cas échéant. En Californie et aux États-Unis, PMHR et le moteur alimenté doivent être conçu, fabriqué et équipé pour répondre à la Californie comme applicable. En Californie et aux États-Unis, PMHR et le moteur alimenté doivent être conçu, fabriqué et équipé pour répondre aux normes anti-smog rigoureuses de la Californie et de l'APE. FIRMAN doit garantir des systèmes de contrôle des émissions et évaporations d'échappement de gaz sur PMHR et de l'équipement du moteur alimenté pour la période indiquée ci-dessous pourvu qu'il n'y ait eu aucun abus, négligence ou entretien inadéquat de votre PMHR ou l'équipement moteur alimenté. Vos systèmes de contrôle des émissions d'échappement peuvent inclure des pièces telles que les carburateurs, systèmes d'injection de carburant, le système d'allumage et les convertisseurs catalytiques. Il peut également inclure un système de contrôle des émissions par évaporation qui peut inclure des réservoirs de carburant, les conduites de carburant, bouchons de carburant, les soupapes, les bidons, les filtres, les tuyaux de vapeur, les colliers, ceintures, et autres composants associés. Pour les moteurs inférieures ou égales à 80 cc, seul le réservoir de carburant est soumis aux exigences de la garantie de contrôle des émissions par évaporation de cette section (Californie seulement).

#### LES RESPONSABILITÉS DE GARANTIE DU PROPRIÉTAIRE:

Comme le propriétaire de PMHR ou de l'équipement du moteur alimenté, vous êtes responsable de l'exécution de l'entretien requis indiqué dans votre manuel du propriétaire. FIRMAN vous recommande de conserver tous les reçus couvrant l'entretien de votre PMHR ou l'équipement de moteur alimenté, mais FIRMAN ne peut pas refuser la garantie uniquement pour le manque de recettes.

Comme le propriétaire de PMHR de l'équipement du moteur alimenté, vous devez, cependant, être conscient que FIRMAN peut vous refuser la couverture de garantie si votre MHR ou l'équipement de moteur alimentés ou une des parties a échoué en raison d'abus, de négligence, de mauvais entretien ou des modifications non approuvées.

Vous êtes responsable de présenter votre PMHR ou l'équipement de moteur alimenté à un centre de distribution ou un service FIRMAN dès qu'un problème existe. Les réparations sous garantie doivent être effectuées dans un délai raisonnable, ne dépassant pas 30 jours. Si vous avez des questions concernant votre couverture de garantie, vous devez contacter un FIRMAN au 1-844-347-6261 ou [firmangenerators@sumec-na.com](mailto:firmangenerators@sumec-na.com).

#### LA COUVERTURE DE LA GARANTIE D'ÉMISSIONS GÉNÉRALES

La période de garantie commence à la date où le moteur ou l'équipement est livré à un acheteur ultime. FIRMAN garantit à l'acheteur final et à chaque acheteur suivant que le moteur est:

Conçu, construit et équipé afin de se conformer à toutes les réglementations applicables adoptées par la Commission de l'air Ressources de Californie et de l'APE des Etats-Unis; et exempts de défauts matériels et de fabrication qui causent la défaillance d'une pièce garantie identique à tous égards importants à la partie tel que décrit dans la demande de fabricants de moteurs pour la certification.

La garantie sur les pièces liées aux émissions est comme suivant:

(1) Toute pièce garantie qui ne soit pas prévu de le remplacer en tant entretien requis dans le manuel du propriétaire fourni est garanti pour la période de la garantie indiquée ci-dessus. Si une telle pièce tombe en panne pendant la période de couverture de la garantie, la pièce sera réparée ou remplacée par FIRMAN sans frais pour le propriétaire. Toute pièce réparée ou remplacée en vertu de la garantie sera garanti pour la période de garantie restante.

(2) Toute pièce garantie qui est prévue uniquement pour l'inspection régulière dans le manuel du propriétaire fourni est garanti pour la période de la garantie indiquée ci-dessus. Toute pièce réparée ou remplacée sous garantie sera garanti pour la période de garantie restante.

(3) Toute pièce garantie dont le remplacement est prévu que l'entretien requis dans le manuel du propriétaire fourni, est garanti pour la période de temps avant le premier remplacement prévu pour cette pièce. Si la pièce fait défaut avant le premier remplacement prévu, la pièce sera réparée ou remplacée par FIRMAN sans frais pour le propriétaire. Toute pièce réparée ou remplacée sous garantie sera garanti pour le reste de la période avant le premier point de remplacement prévu pour la partie.

(4) La réparation ou le remplacement de toute pièce sous garantie en vertu de la garantie doivent être effectuées sans frais pour le propriétaire à la station de garantie.

(5) Nonobstant les dispositions du paragraphe (4) ci-dessus, les services de garantie ou des réparations doivent être fournis par FIRMAN qui sont franchisés de réparer les moteurs en question.

(6) Le propriétaire ne doit pas être facturé pour le travail de diagnostic qui conduit à la détermination que la pièce garantie est effectivement défectueuse, à condition que ce travail de diagnostic est effectué à une station de garantie.

(7) FIRMAN est responsable des dommages à d'autres composants du moteur causés directement par une défaillance sous garantie de toute pièce garantie.

(8) Tout au long de la période de garantie d'émission au sens du paragraphe (b) (2), FIRMAN maintiendra un approvisionnement des pièces garanties suffisantes pour répondre à la demande prévue pour de telles pièces.

(9) Toute pièce de remplacement peut être utilisé dans l'exécution de tout entretien ou la réparation sous garantie et doit être fourni sans frais pour le propriétaire. Une telle utilisation ne réduira pas les obligations de garantie du fabricant.

(10) Des pièces ajoutés ou modifiées qui ne sont pas exemptés par la Commission de l'air Ressources de Californie ne peuvent être utilisées. L'utilisation des pièces ajoutés ou modifiées non exemptées par l'acheteur final sera un motif de refus d'une réclamation de garantie.

Le fabricant ne sera pas responsable de garantir les défaillances de pièces garanties causées par l'utilisation des pièces ajoutés ou modifiées non-exemptée.

### DES PIÈCES SOUS LE COUVERT DE LA GARANTIE

Voici la liste des pièces (si équipée) qui est couvert par la garantie fédérale et les systèmes de contrôle des émissions en Californie. Certaines pièces énumérés ci-dessous peuvent nécessiter une maintenance planifiée et sont garanties jusqu'au premier point de remplacement prévu pour cette pièce.

1. Système d'allumage comprenant: <ul style="list-style-type: none"><li>- Bougie</li><li>- Bobine d'allumage</li></ul>	4. Système d'induction d'air y compris: <ul style="list-style-type: none"><li>- Tuyau d'admission / collecteur</li><li>- Purificateur d'air</li></ul>
2. Système du mesure de carburant: <ul style="list-style-type: none"><li>- Réservoir de carburant</li><li>- Capot du réservoir</li><li>- Tuyau de carburant et ses raccords / pincés</li><li>- Carburateur assemblé y compris les pièces internes et les joints</li></ul>	5. Reniflard du carter assemblage y compris: <ul style="list-style-type: none"><li>- Tuyau de connexion du reniflard</li></ul>
3. Silencieux catalytic assemblé, y compris: <ul style="list-style-type: none"><li>- Collecteur d'échappement</li><li>- Convertisseur catalytique</li><li>- Joint de silencieux</li><li>- Vanne d'impulsion</li></ul>	6. Système de contrôle des émissions d'évaporation du réservoir de carburant y compris: <ul style="list-style-type: none"><li>- Vannes de purge</li><li>- Cartouche de carbone</li><li>- Tuyaux de vapeur et ses raccords / pincés</li></ul>

### Limites

Cette garantie des systèmes de contrôle des émissions ne doit pas comprendre une des caractéristiques suivantes:

- Les dommages indirects tels que la perte de temps, désagrément, perte d'usage du moteur ou de l'équipement, etc.
- Des frais de diagnostic et de contrôle qui ne causent pas d'un service de garantie éligible effectué.

FIRMAN POWER EQUIPMENT INC.  
Email: [firmangenerator@sumec-na.com](mailto:firmangenerator@sumec-na.com)  
[www.firmangenerator.com](http://www.firmangenerator.com)

**Firman Power Equipment Inc.**  
14131 N Rio Vista Blvd, Suite 9  
Peoria, AZ 85381  
[www.firmangenerators.com](http://www.firmangenerators.com)