

**Sealed Against Dust & Water Intrusion** to ensure reliable circuit protection for the life of the electrical system installation.

**High Voltage Rating** easily supports 12 and 24 Vdc applications while offering advanced protection for 36 and 48 Vdc applications.

**High Electrical / Manual Switching Endurance** delivers 6,000 cycles at full current.

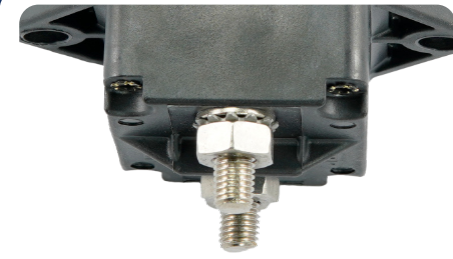
**High Interrupt Current** safely protects circuits connected to large paralleled battery banks with significant available power.

**Ignition Protected**  
Safe for installation in closed compartments with potential explosive gases.

**Harsh Environment** design with stainless-steel hardware, serrated flange nuts, and silicone terminal covers.



## 4703 Series Surface Mount Circuit Breakers



### Busbars Link 4703 Breaker Inputs Together



Parallel Inputs of Any Number of 4703 Breakers with Dual/Triple Busbars Combination

P/N: 8796 & 8798



**Protects Electrical Circuits** from short-circuit events and over-current loads, preventing wire insulation overheating and subsequent destruction.



**Automatic Circuit Protection & Manual On/Off Switching** combines dual functionality in one reliable and compact solution.



**Visual Indication of Circuit Opened** with bright yellow paddle, also used for resetting to On.

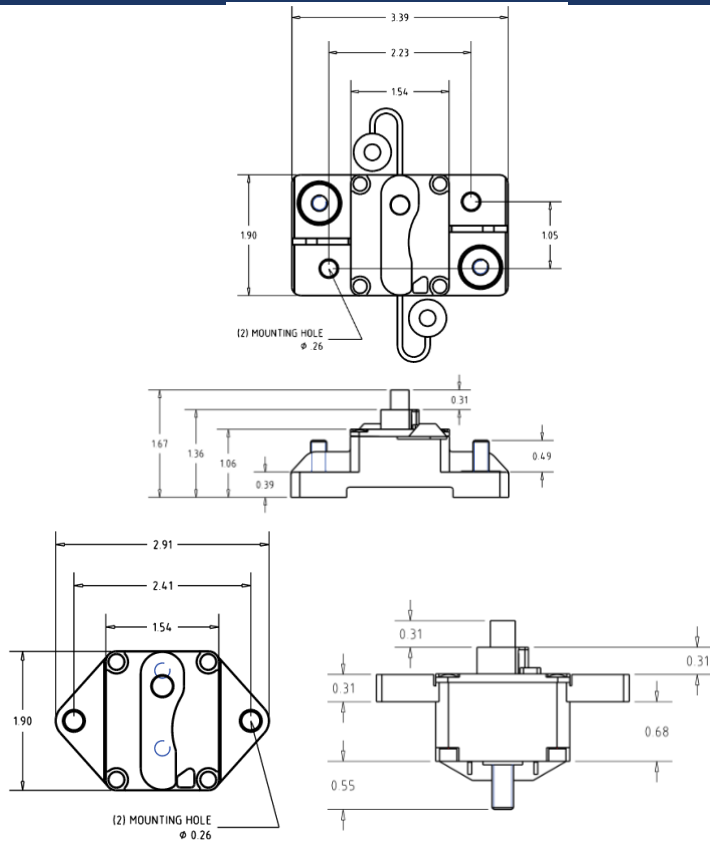


**Bullet-proof Construction:** Sealed device, high temp materials for engine compartment applications, and stainless self-locking hardware.

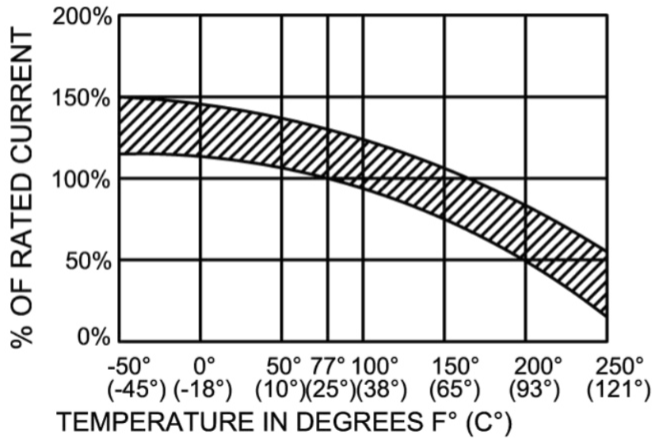


**4 Year Industry Leading Warranty**

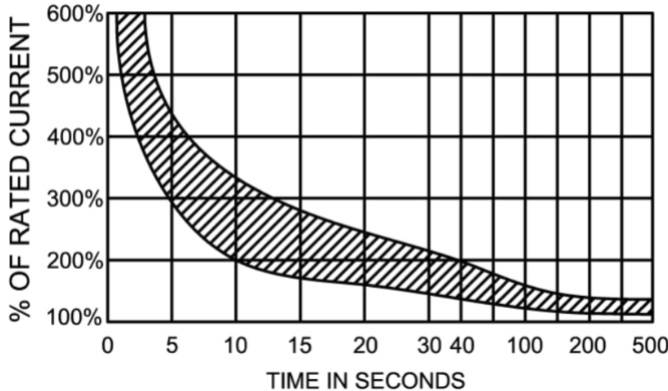
## Product Dimensions



## Current De-Rating vs Ambient Temperature



## Trip Current vs Time Delay



## Electrical Specifications

Max Operational Voltage	48 Vdc
Electrical Endurance @ <14 Vdc	100 cycles / 6x Rating
Electrical Endurance @ <30 Vdc	100 cycles / 2x Rating
Electrical Endurance @ <48 Vdc	50 cycles / 1.5x Rating
Short Circuit Interrupt Rating (14 Vdc)	3,000 Amps
Short Circuit Interrupt Rating (48 Vdc)	1,500 Amps
Wire Size to Meet Rating (50 A)	#8 AWG (10 mm <sup>2</sup> )
Wire Size to Meet Rating (60 A)	#6 AWG (16 mm <sup>2</sup> )
Wire Size to Meet Rating (80 A)	#4 AWG (25 mm <sup>2</sup> )
Wire Size to Meet Rating (100 - 120 A)	#2 AWG (35 mm <sup>2</sup> )
Wire Size to Meet Rating (150 A)	1/0 AWG (50 mm <sup>2</sup> )

## Specifications

Max Operating Temperature	85 C (185 F)
Min Operating Temperature	-40 C (-40 F)
Hardware Material	18-8 Stainless, Self-Locking
Terminal Stud Size	1/4"-28
Max Terminal Stud Torque	100 in-lbs (11.3 N-m)
Cable Terminal Stud Hole Size	1/4" (M6)
Ignition Protection	SAE J1171
Operating Humidity	0 to 95% RH
Ingress Protection	IP67
Mechanical Vibration	10g
Mechanical Shock	100g

## Part Numbers

Part Numbers	Resell Pack	Bulk Pack
Circuit Breaker, Surface Mount, 25A	4703-025	4703-025B
Circuit Breaker, Surface Mount, 30A	4703-030	4703-030B
Circuit Breaker, Surface Mount, 40A	4703-040	4703-040B
Circuit Breaker, Surface Mount, 50A	4703-050	4703-050B
Circuit Breaker, Surface Mount, 60A	4703-060	4703-060B
Circuit Breaker, Surface Mount, 80A	4703-080	4703-080B
Circuit Breaker, Surface Mount, 100A	4703-100	4703-100B
Circuit Breaker, Surface Mount, 120A	4703-120	4703-120B
Circuit Breaker, Surface Mount, 150A	4703-150	4703-150B
Circuit Breaker, Panel Mount, 50A	4706-050	4706-050B
Circuit Breaker, Panel Mount, 60A	4706-060	4706-060B
Circuit Breaker, Panel Mount, 80A	4706-080	4706-080B
Circuit Breaker, Panel Mount, 100A	4706-100	4706-100B
Circuit Breaker, Panel Mount, 120A	4706-120	4706-120B
Circuit Breaker, Panel Mount, 150A	4706-150	4706-150B
Busbar - 4703 Series Link - Dual	8796	8796B
Busbar - 4703 Series Link - Triple	8798	8798B
Bezel - Panel Mount - 4706 Breakers	4706-001	4706-001B

\* DISCONNECT BATTERY FROM POWER DISTRIBUTION SYSTEM BEFORE INSTALLING PRODUCT TO PREVENT ELECTRICAL SHOCK OR PRODUCT DAMAGE