

# GARMIN. FORCE™ TROLLING MOTOR INSTALLATION INSTRUCTIONS

## Getting Started

### ⚠ WARNING

Do not run the motor when the propeller is out of the water. Contact with the rotating propeller may result in severe injury.

Do not use the motor in areas where you or other people in the water may come into contact with the rotating propeller.

Always disconnect the motor from the battery before cleaning or servicing the propeller to avoid injury.

### ⚠ CAUTION

When stowing or deploying the motor, be aware of the risk of entrapment or pinching from moving parts, which can result in injury.

When stowing or deploying the motor, be aware of slick surfaces around the motor. Slipping when stowing or deploying the motor may result in injury.

Always wear safety goggles, ear protection, and a dust mask when drilling, cutting, or sanding.

### NOTICE

When drilling or cutting, always check what is on the opposite side of the surface.

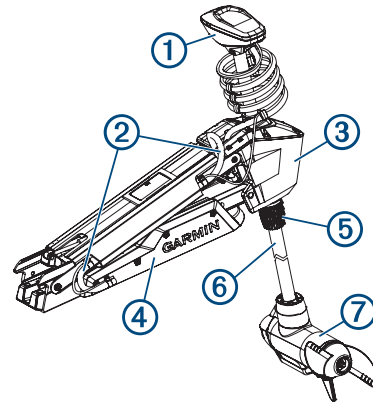
To avoid damage to your boat, this device should be installed by a qualified marine installer. Specific knowledge of marine electrical systems is required for proper installation.

## Tools and Supplies Needed

- Drill and a  $\frac{5}{16}$  in. (8 mm) drill bit
- #1 and #2 Phillips screwdrivers
- 3 mm and 4 mm hex bits or wrenches (two 4 mm recommended)
- $\frac{9}{16}$  in. (14 mm) socket
- Torque wrench
- Circuit breaker rated for continuous 60 A
- Trolling motor plug and receptacle rated for 60 A or greater (optional)
- 6, 4, or 2 AWG (16, 25, or 35 mm<sup>2</sup>) wire for extended runs of the power cable
- Solder and heat-shrink tubing, if extending the power cable
- Stainless steel pan head  $\frac{1}{4}$ -20 (M6x1) bolts (if the included bolts are not long enough to mount the motor to the deck)

## Installation Preparation

### Device Overview

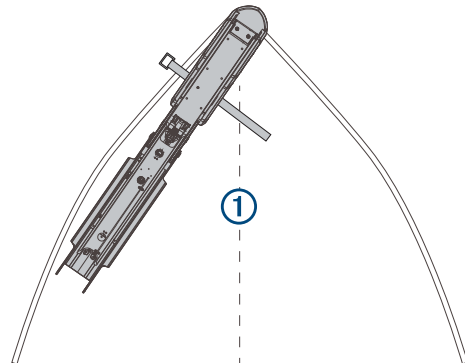


①	Shaft cap
②	Power and transducer cables
③	Steering system
④	Mount
⑤	Depth-adjustment collar
⑥	Shaft
⑦	Propeller drive motor

### Mounting Considerations

When selecting a mounting location, observe these considerations.

- You must install the motor on the bow of your boat.
- It is recommended to install the motor on the port side of the bow, but you can install it on the starboard side if necessary.
- You should install the mount so the deployed motor is as close to the center of the boat ① as possible.



- You must install the mount with the bumper ② overhanging the gunwale of the boat.



- The motor secures to the deck of the boat using bolts, so you must have room to secure the mount from the underside using washers and nuts.
- The motor must have clearance to move from the deployed to the stowed position and back again, so the installation location must be clear of obstacles.

### Parts Bags

The installation hardware for the trolling motor is included in numbered bags. As you complete the installation process, each procedure begins with a reference to the parts bag needed to complete the procedure. You can use this table to review or verify the parts bags needed for the installation procedures.

<b>A</b>	Contains the safety strap and the hardware used to secure the mount base to the boat deck.
<b>B</b>	Contains the hardware needed to secure the steering system to the lower half of the mount.
<b>C</b>	Contains the hardware needed to secure the upper and lower gas springs.
<b>D</b>	Contains the hardware needed to secure the steering system to the upper half of the mount.
<b>E</b>	Contains the pull-cable handle hardware.
<b>F</b>	Contains the hardware needed to secure the cables to the mount.

### Connection Considerations

When making the wiring connections, observe the following considerations.

- You must connect the trolling motor to a 24 or 36 Vdc battery bank capable of supplying 60 A continuously.
- You must connect to the power source through a circuit breaker rated for continuous 60 A (not included).
- If necessary, you can extend the power cable using the appropriate wire gauge based on the length of the extension ([Power Cable Extension](#), page 6).
- For convenience, you can install a trolling motor plug and receptacle rated for 60 A or greater (not included) in the bulkhead to make it easier to disconnect the motor from the power source.

## Installation Procedures

### NOTICE

When assembling the motor, you must use hand tools to install all of the parts, observing the torque specifications when

provided. Using power tools to assemble the motor may damage the components, and voids the warranty.

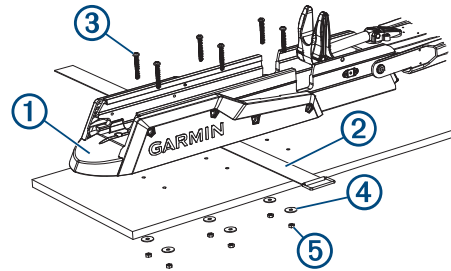
### Installing the Mount on the Deck

Label identifying the parts bag required for this procedure:



**NOTE:** If the supplied bolts are not long enough for the mounting surface, you must obtain the appropriate length stainless steel pan head 1/4-20 (M6x1) bolts.

- 1 Select a mounting location on the bow of your boat, according to the mounting considerations.
- 2 Pivot the top parts of the mount up and back so you can access the mounting holes on the mount base.
- 3 With the mount bumper ① overhanging the gunwale or the edge of the boat deck, place the mount base in the selected location.



- 4 Using the mount base as a template, mark the mounting hole locations on the boat deck.
- 5 Remove the mount base from the boat deck, because you must not drill through the base.
- 6 Using a 5/16 in. (8 mm) drill bit, drill the pilot holes.
- 7 Place the safety strap ② under the mount base near the center, with the hook and loop fasteners facing downward.
 

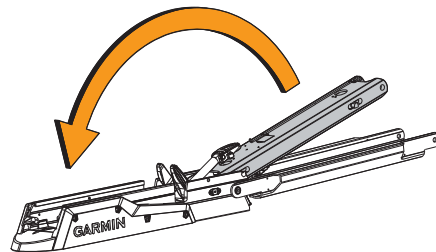
**NOTE:** You must place the safety strap under the mount before you secure it to the surface. If you do not install the safety strap at this time, you may need to partially disassemble the motor later to install it correctly.
- 8 Place the mount base on the boat deck on top of the safety strap, aligning the holes on the mount with the mounting holes.
- 9 Secure the mount to the deck using the included bolts ③, washers ④, and locking nuts ⑤.
- 10 Tighten the nuts to 10.85 N m (8 lbf-ft.).

### Installing the Steering System on the Mount

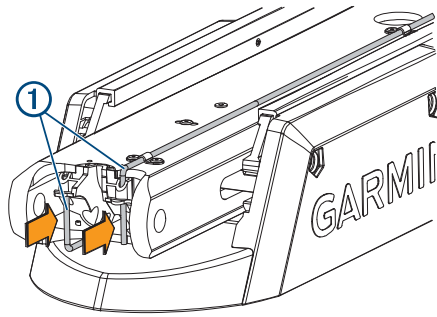
Label identifying the parts bag required for this procedure:



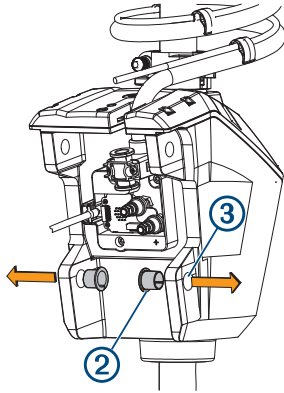
- 1 Pivot the lower half of the mount forward until it locks into the base.



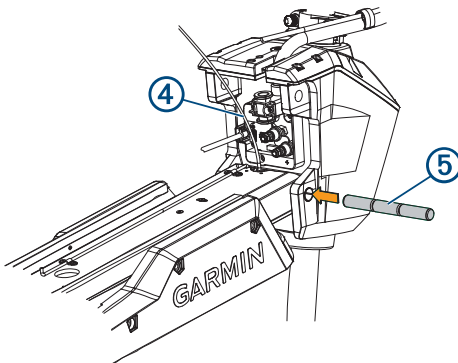
- 2 Push the two safety rods ① into the mount as far as possible.



- 3 From the inside out, insert the bushings ② into the lower holes ③ on the steering system housing.



- 4 Holding the pull cable ④ up, place the steering system housing onto the lower half of the mount, aligning the lower holes on the housing with the holes on the mount.

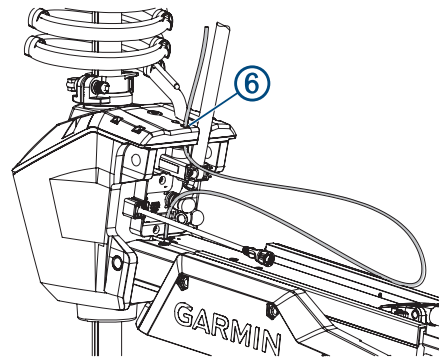


- 5 While lifting up on the steering system housing, push the pivot pin ⑤ through the housing and the mount to hold it in place.

**NOTICE**

Do not hit the pin with a hammer or other object. Do not drill or modify the holes. Although it is a snug fit, the pin slides in completely when pushed by hand. Damage caused by hammering the pin or modifying the holes is not covered under warranty.

- 6 Route the pull cable upward through the top of the steering system housing ⑥.

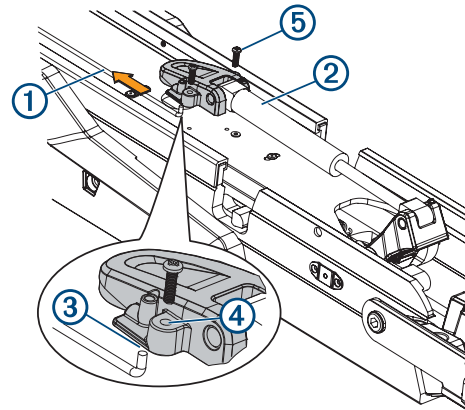


**Securing the Upper Gas Spring**

Label identifying the parts bag required for this procedure:



- 1 Push the safety rod ① toward the steering system housing as far as possible.



- 2 If necessary, pivot the upper gas spring ② toward the bottom of the mount so the base of the gas spring aligns with the safety rod and mounting holes.

**NOTE:** If you must rotate the gas spring so the base aligns with the mount, rotate the spring in a clockwise direction only. Rotating the gas spring in a counter-clockwise direction may loosen the fittings.

- 3 Align the single hole on the base of the gas spring ③ with the safety rod, and press down.

The screw holes on the base ④ should align with the holes on the bottom of the mount.

- 4 Using a #2 Phillips screwdriver, secure the base of the gas spring to the bottom of the mount using the included screws ⑤.

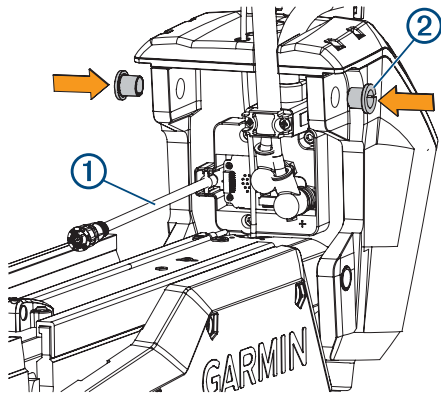
Keep the remaining screws in the parts bag. You must use them when securing the other gas spring in a later procedure.

**Installing the Top of the Mount**

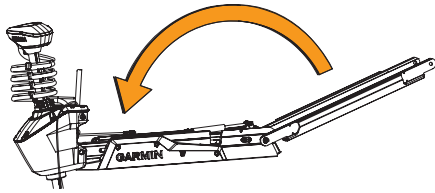
Label identifying the parts bag required for this procedure:



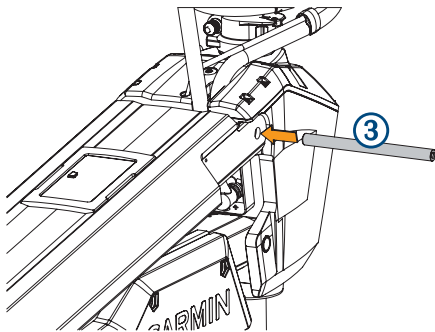
- 1 Remove the tape that secures the data cable ① to the steering system housing.
- 2 From the outside in, insert the bushings ② in the upper holes on the steering system housing.



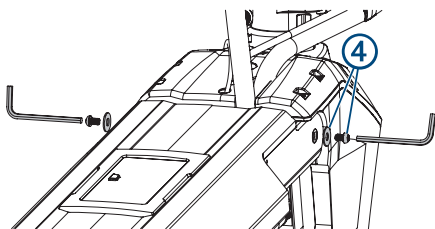
3 Pivot the top of the mount forward.



- 4 Tip the top of the steering system housing inward so the holes on the top of the mount and the housing align.
- 5 Push the pin ③ through the holes on the top of the mount and the steering system housing.



6 Using a 4 mm hex bit or hex wrench, secure the pin using the screws and washers ④ on both sides.



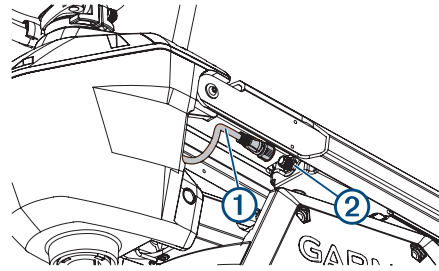
**NOTE:** To properly secure the pin, you should use two hex bits or wrenches so the pin does not rotate as you tighten the screws.

### Connecting the Motor to the Display Panel

#### NOTICE

You must connect the cable from the steering system to the display panel before proceeding further with the installation. If you do not make this connection now, the unsecured cable may damage the display panel when moving the mount.

- 1 Route the cable ① from the steering system housing to the display panel ② on the top of the mount.



- 2 Push the connector onto the port on the display panel, and rotate the locking ring clockwise to secure it.

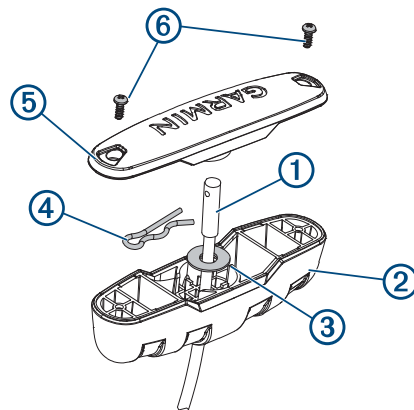
**NOTE:** The connector is keyed to fit into the port one way only, and will fit easily when aligned correctly. Do not force the connector into the port.

### Installing the Handle on the Pull Cable

Label identifying the parts bag required for this procedure:

**E**

- 1 Insert the pull cable ① through the bottom half of the handle ②.



- 2 Insert the pull cable through the washer ③.
- 3 Push the R-pin ④ through the hole on the end of the pull cable.
- 4 Pull the cable down so that the washer and R-pin rest in the bottom half of the handle.
- NOTE:** The R-pin fits in the bottom half of the handle one way only.
- 5 Using a #1 Philips screwdriver, secure the top of the handle ⑤ to the bottom using the screws ⑥.

### Routing the Power and Transducer Cables Through the Mount

Label identifying the parts bag required for this procedure:

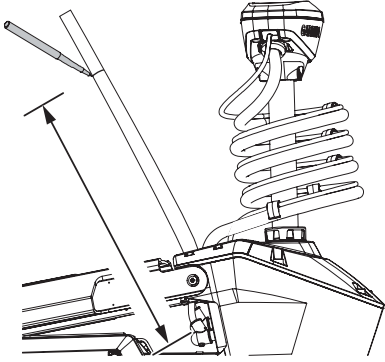
**F**

#### NOTICE

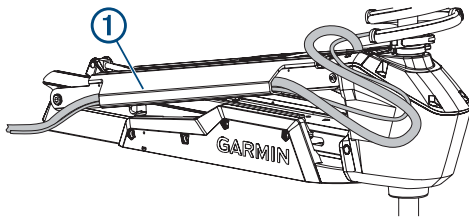
To avoid damaging the power and transducer cables when deploying and stowing the trolling motor and to avoid interference with the GPS and heading sensors in the motor, you must route the cables through the right (starboard) side of the mount and secure them using the included hardware. You must not route the power cable through the left (port) side of the mount, and it is not possible to install the included brackets on the left (port) side. The left (port) side is reserved for additional accessories or transducer cables that you may install in the future.



- 1 Measure 40 cm (16 in.) on the power cable from where it connects to the steering system housing, and mark the cable with a marker or tape.



- 2 With the motor in the deployed position, route the transducer cable through the channel along the right (starboard) side of the mount ①.



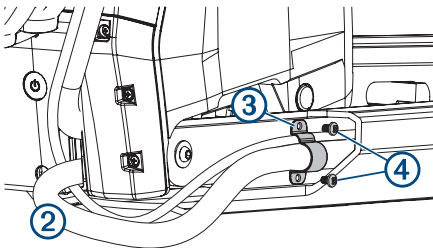
**TIP:** To determine the right (starboard) side of the mount, stand in a location where you can read the information on the display panel.

- 3 Route the power cable through the channel above the transducer cable.
- 4 Using the pull cable, carefully lift the motor from the deployed position to the stowed position.

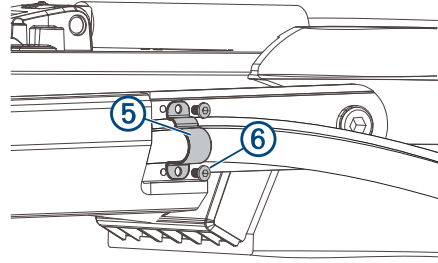
### ⚠ CAUTION

Because only one of the lift-assist gas springs is secured at this point in the installation, you must use caution when lifting the motor to the stowed position. The weight of the motor may cause the mount to move quickly and pinch or crush hands or fingers.

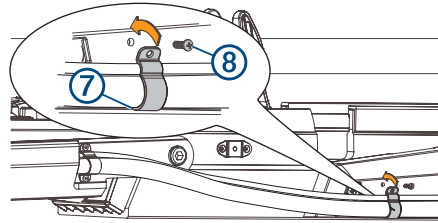
- 5 Leaving a rounded bend in the cables ②, hold them against the side of the mount where they enter the channel.



- 6 At the location on the power cable you marked in step 1, place one of the brackets that has two screw holes ③ over the cables and against the mount, aligning the holes on the bracket with the holes on the mount.
- 7 Using a 3 mm hex bit or wrench, secure the bracket to the mount using two screws ④.
- 8 Hold the cables against the bottom of the mount where they exit the channel.
- 9 Place the other bracket that has two screw holes ⑤ over the cables and against the mount, aligning the holes on the bracket with the holes on the mount.



- 10 Using a 3 mm hex bit or wrench, secure the bracket to the mount using two screws ⑥.
- 11 Hold the cables against the plastic portion of the mount base, close to the boat deck.
- 12 Insert the lower tab on the remaining bracket into a slot below the cables ⑦, and rotate the bracket toward the mount base to hold the cables.



- 13 Using a #1 Phillips screwdriver, secure the upper tab of the bracket to the mount base using a single screw ⑧.
- 14 Install additional plastic cable clips to secure the transducer cable to the power cable where needed (optional).  
Two plastic cable clips are included in the parts bag.

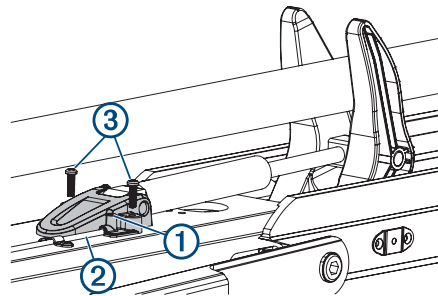
### Securing the Lower Gas Spring

Label identifying the parts bag required for this procedure:



**NOTE:** This procedure uses the rest of the hardware in the parts bag that you used when installing the upper gas spring.

- 1 Align the hole on the base of the lower gas spring ① with the safety rod ②, and press down.



You may need to lift up the mount and flip over the gas spring if it was positioned on the other side of the mount during the previous installation steps.

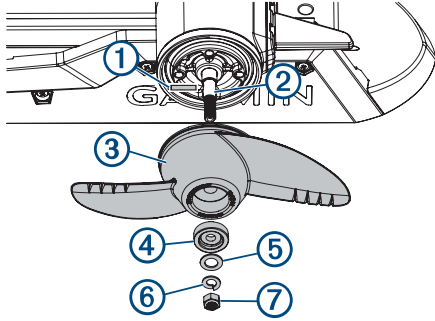
**NOTE:** If you must rotate the gas spring so the base aligns with the mount, rotate the spring in a clockwise direction only. Rotating the gas spring in a counter-clockwise direction may loosen the fittings.

- 2 Using a #2 Phillips screwdriver, secure the base of the lower gas spring to the mount using the included screws ③.

## Installing the Propeller

The parts bag containing the hardware needed for this procedure is included in the box with the propeller and does not have a label.

- 1 Insert the pin ① through the propeller motor shaft ②.



- 2 If necessary, rotate the motor shaft to orient the pin horizontally so it is less likely to fall out during installation.
- 3 Align the channel on the inside of the propeller ③ with the pin, and slide the propeller onto the motor shaft.
- 4 Place the anode ④, washer ⑤, lock washer ⑥, and nut ⑦ onto the end of the motor shaft.
- 5 Using a  $\frac{9}{16}$  in. (14 mm) socket, tighten the lock nut to 6 lbf-ft (8.13 N-m) to secure the propeller.

## Connecting to Power

- 1 Route the power cable to the breaker panel or the location where you plan to install the breaker.
- 2 If necessary, extend the power cable using the appropriate wire gauge based on the length of the extension (*Power Cable Extension*, page 6) using solder and heat-shrink tubing.
- 3 Install a trolling motor plug and receptacle rated for 60 A or greater where the power cable enters a bulkhead (optional).
- 4 Connect the power cable to a circuit breaker rated for 60 A (continuous).

### ⚠ WARNING

The circuit breaker must be in the off position before you connect the power cables from the trolling motor.

- 5 If necessary, connect the circuit breaker to a 60 A, 24 or 36 Vdc power source.

## Power Cable Extension

You can extend the power cable using the appropriate gauge of wire based on the length of the extension.

### NOTICE

Power cable extensions must use single-conductor wire, with a minimum 75°C (167°F) insulation, that is not bundled, not sheathed, and not run through conduit. If you are using wire with 105°C (221°F) insulation or better, you can bundle up to three conductors inside a sheath or conduit outside of engine spaces.

When installing the power cable extension, you must follow industry standards and best practices.

Extension length	Minimum wire gauge	Optimal wire gauge
0 to 3 m (0 to 10 ft.)	6 AWG (16 mm <sup>2</sup> )	6 AWG (16 mm <sup>2</sup> )
3 to 4.6 m (10 to 20 ft.)	6 AWG (16 mm <sup>2</sup> )	4 AWG (25 mm <sup>2</sup> )
4.6 to 9.1 m (20 to 30 ft.)	6 AWG (16 mm <sup>2</sup> )	2 AWG (35 mm <sup>2</sup> )

## Connecting the Transducer to a Chartplotter

The built-in 12-pin transducer is compatible with select Garmin® chartplotter models. Go to [www.garmin.com](http://www.garmin.com) or contact your Garmin dealer for more information.

- 1 Route the transducer cable to the installed chartplotter.

- 2 Install the locking collar on the end of the transducer cable.
- 3 Connect the transducer cable to the transducer port on the back of the chartplotter.

You can refer to the instructions provided with your chartplotter to identify the transducer port.

## Stabilizer Installation

The stabilizer is an optional accessory that can help stabilize and provide additional support for the trolling motor when it is in the stowed position.

Installation instructions for the stabilizer are provided in the stabilizer box.

## Foot Pedal Installation

The foot pedal connects to the trolling motor wirelessly and is paired at the factory.

Detailed mounting and power instructions are included in the *Force Trolling Motor Foot Pedal Installation Instructions*, in the foot pedal box. Operation instructions are included in the *Force Trolling Motor Quick Start Manual*.

## Remote Control Installation

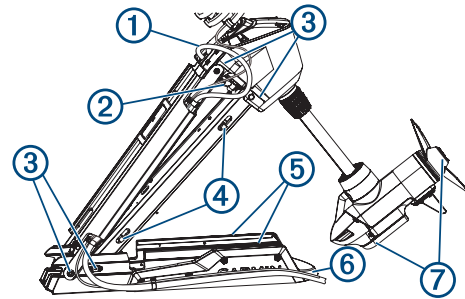
The remote control connects to the trolling motor wirelessly and is paired at the factory.

Operation instructions are included in the *Force Trolling Motor Quick Start Manual*.

## Maintenance Needs and Schedule

To maintain your warranty, you must perform a series of routine maintenance tasks as you prepare your motor for the season. If you use or transport the motor in dry, dusty environments (traveling on gravel roads, for example) you should perform these tasks more often during the season.

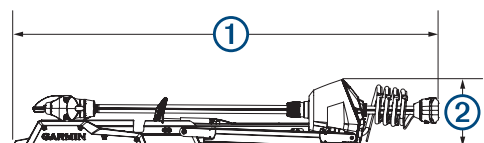
For detailed procedures and information on service and replacement parts, download the *Force Trolling Motor Maintenance Manual* from [www.garmin.com/manuals/force\\_trolling\\_motor](http://www.garmin.com/manuals/force_trolling_motor).



- Examine the power cable for wear, and patch or repair as necessary ①.
- Check the power terminals, and clean them if necessary ②.
- Lubricate the hinges and bushings ③.
- Clean and lubricate the stow and deploy latch mechanism ④.
- Check the mount rails, and replace them if necessary ⑤.
- Check the mount bumper, and replace it if necessary ⑥.
- Clean or replace the anodes in the propeller drive motor ⑦.

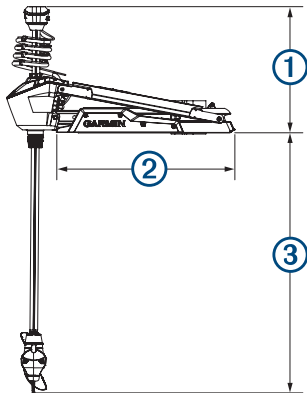
## Motor Information

### Stowed Dimensions

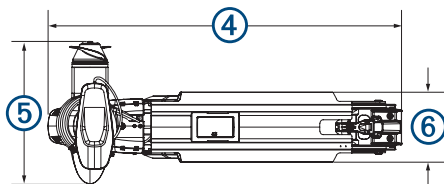


Item	50 in. Model	57 in. Model
①	1.558 m (61 <sup>5</sup> / <sub>16</sub> in.) min. 1.811 m (71 <sup>5</sup> / <sub>16</sub> in.) max.	1.712 m (67 <sup>3</sup> / <sub>8</sub> in.) min. 2.066 m (81 <sup>5</sup> / <sub>16</sub> in.) max.
②	300 mm (11 <sup>13</sup> / <sub>16</sub> in.)	340 mm (13 <sup>3</sup> / <sub>8</sub> in.)

## Deployed Dimensions



Item	50 in. Model	57 in. Model
①	461 mm (18 1/8 in.) min. 721 mm (28 3/8 in.) max.	488 mm (19 3/16 in.) min. 817 mm (32 1/8 in.) max.
②	708 mm (27 7/8 in.)	799 mm (31 7/16 in.)
③	839 mm (33 1/16 in.) min. 1.1 m (43 5/16 in.) max.	1.724 m (67 7/8 in.) max. 920 mm (36 3/16 in.) min.



Item	50 in. Model	57 in. Model
④	931 mm (36 11/16 in.)	1.022 m (40 1/4 in.)
⑤	402 mm (15 13/16 in.)	402 mm (15 13/16 in.)
⑥	203 mm (8 in.)	203 mm (8 in.)

## Registering Your Device

Help us better support you by completing our online registration today. Keep the original sales receipt, or a photocopy, in a safe place.

- 1 Go to [my.garmin.com/registration](https://my.garmin.com/registration).
- 2 Sign in to your Garmin account.

## Contacting Garmin Support

- Go to [support.garmin.com](https://support.garmin.com) for help and information, such as product manuals, frequently asked questions, videos, and customer support.
- In the USA, call 913-397-8200 or 1-800-800-1020.
- In the UK, call 0808 238 0000.
- In Europe, call +44 (0) 870 850 1241.

## Specifications

### Trolling Motor

Weight (motor, mount, and cables)	50 in. model: 30 kg (66 lb.) 57 in. model: 31.75 kg (70 lb.)
Weight (stabilizer)	0.54 kg (1.2 lb.)
Operating temperature	From -5° to 40°C (from 32° to 104°F)
Storage temperature	From -40° to 85°C (-40° to 185°F)
Material	Mount and motor housing: aluminum Shaft cap, display panel, and side panels: plastic Motor shaft: fiberglass
Water rating	Shaft cap: IEC 60529 IPX5 <sup>1</sup> Steering motor housing: IEC 60529 IPX7 <sup>2</sup> Display panel housing: IEC 60529 IPX7 Propeller drive motor housing: IEC 60529 IPX8 <sup>3</sup>
Compass safe distance	91 cm (3 ft.)
Power cable length	50 in. model: 1.2 m (4 ft.) 57 in. model: 1.1 m (3.5 ft.)
Input voltage	From 20 to 45 Vdc
Input amperage	60 A continuous
Breaker (not included)	42 VDC or greater, suitable for 60 A continuous <b>NOTE:</b> You can protect the system buy using a larger circuit breaker, not to exceed 90 A, if you are operating under high temperatures or if you are sharing the circuit with other devices. You should verify that your boat wiring meets marine wiring standards using a larger breaker before changing it.
Main power usage at 36 Vdc 60 A	Off: 72 mW Full power: 2160 W
Radio frequency	2.4 GHz @ 28 dBm nominal

### Remote Control

Dimensions (W×H×D)	152 x 52 x 32 mm (6 x 2 x 1 1/4 in.)
Weight	109 g (3.8 oz.) without batteries
Material	Glass-filled nylon
Display type	Sunlight-visible, transfective memory-in-pixel (MIP)
Display resolution	R240 x 240 pixels
Display size (diameter)	30.2 mm (1 3/16 in.)
Operating temperature	From -15° to 55°C (5° to 131°F)
Storage temperature	From -40° to 85°C (-40° to 185°F)
Battery type	2 AA (not included)
Battery life	240 hr., typical use
Radio frequency	2.4 GHz @ 3.4 dBm nominal
Water rating	IEC 60529 IPX7 <sup>4</sup>
Compass-safe distance	15 cm (6 in.)

© 2019 Garmin Ltd. or its subsidiaries

Garmin®, the Garmin logo, and ActiveCaptain™ are trademarks of Garmin Ltd. or its subsidiaries, registered in the USA and other countries. Force™ is a trademark of Garmin Ltd. or its subsidiaries. These trademarks may not be used without the express permission of Garmin.

You should reference United States Code of Federal Regulations: 33 CFR 183 - Boats and Associated Equipment and ABYC E-11: AC and DC Electrical Systems on Boats when installing this trolling motor.

<sup>1</sup> The part withstands projected water exposure from any direction (such as rain).  
<sup>2</sup> The part withstands incidental immersion in water up to 1 m deep for up to 30 min.  
<sup>3</sup> The part withstands continuous immersion in water up to 3 m deep.  
<sup>4</sup> \*The device withstands incidental exposure of water up to 1 m for up to 30 min.

