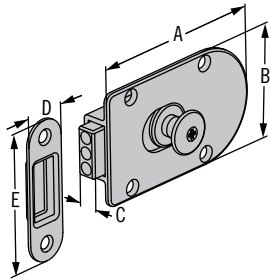


M5 Transom Door Latches

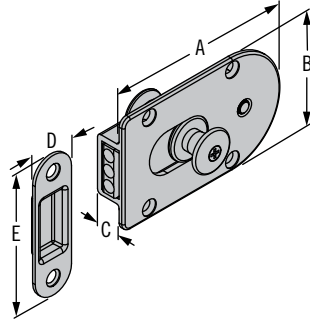
Stainless Steel



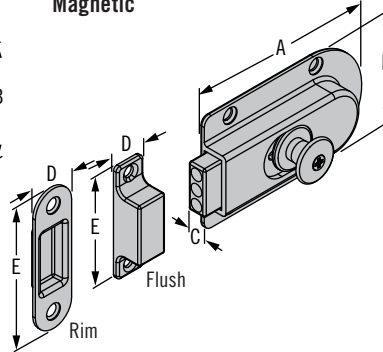
Transom Door Latch Magnetic



Double Knob Transom Door Latch Magnetic (with lock)



Oval Single Side Transom Door Latch Magnetic



Name	Part Number	Striker Part Number	(A) mm (inch)	(B) mm (inch)	(C) mm (inch)	(D) mm (inch)	(E) mm (inch)
Transom door latch magnetic	M5-60-101-8 (non-locking)	M5-C-305-8	90 (3.50)	55 (2.19)	9.3 (.38)	21 (.88)	70 (2.75)
	M5-60-111-8 (locking)						
Double knob transom door latch - magnetic (with lock)	M5-60-152-8	M5-C-305-8	91 (3.56)	56 (2.22)	9 (.34)	21 (.88)	70 (2.75)
Oval single side transom door latch - magnetic	M5-60-201-8	M5-C-801-8 (Flush striker)	91 (3.56)	56 (2.22)	9 (.34)	15 (.63)	70 (2.75)
	M5-60-305-8	M5-C-305-8 (Rim striker)				21 (.88)	

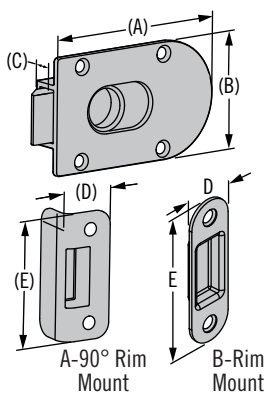
All latches feature:

- Designed for 12mm (1/2") doors
- Features an adjustable slide bolt
- Comes with striker (magnetic)
- Screws not included
- Locking and Non-locking versions

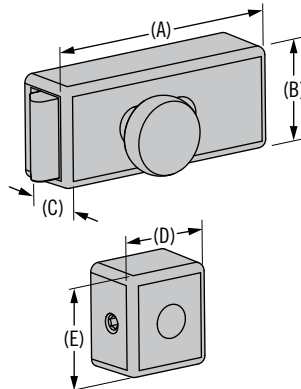
Material and Finish

Housing: 316 Stainless steel

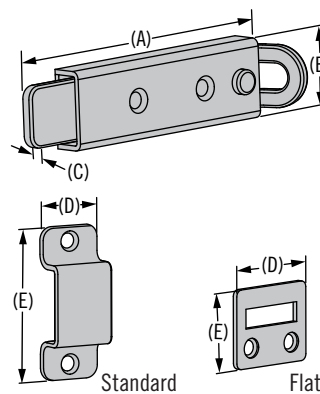
Transom Latch Spring Bolt (flush)



Transom Latch Spring Bolt (surface)



Transom Latch Spring Bolt - Heavy Duty



	Part Number	Model	A	B	C	D	E
Transom Latch Spring Bolt (flush)	M5-60-302-8	Single side	91 (3.63)	56 (2.25)	9 (.38)	x	x
	M5-60-309-8	Double side	91 (3.63)	56 (2.25)	9 (.38)	x	x
Strikers	M5-C-301-8	A	x	x	x	22 (.87)	56 (2.25)
	M5-C-304-8	B				22 (.87)	70 (2.25)
Transom Latch Spring Bolt (surface)	M5-60-451-8	Striker included	72 (2.75)	30 (1.19)	20 (.75)	27 (1.06)	30 (1.19)
Transom Latch Spring Bolt Heavy Duty	M5-60-205-8	Flat	137 (5.41)	32 (1.25)	5 (.19)	38 (1.5)	32 (1.25)
	M5-60-206-8	Standard				25 (.98)	60 (2.36)

