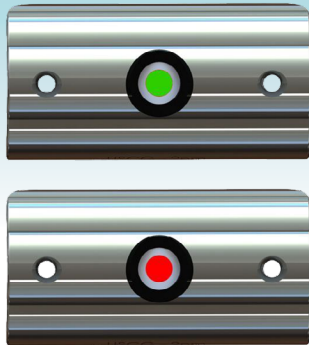




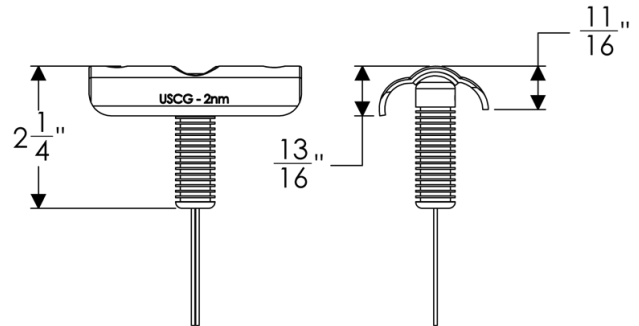
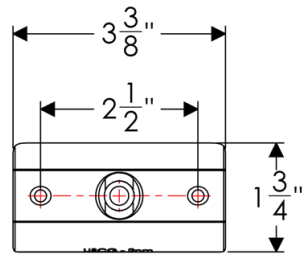
RUB RAIL MOUNT LED NAVIGATION LIGHTS



With constant innovation in mind, we've developed a line of Rub Rail-mounted LED navigation lights - sleek, low-profile lights designed to allow for cleaner, open decks with non-obstructed view points. Very popular with bay boats, these easy-to-install lights meet ABYC and USCG requirements for both sail and powerboat designation, have a water-resistant IP68 rating and provide hours of maintenance-free, reliable use.

FEATURES & BENEFITS

- Ideal for 18' to 30' boats
- Sold in pairs with one 3-watt port (red) light and one 2-watt starboard (green) light
- Brightness compares to 10-watt incandescent light
- Enables more deck space and easy to install
- Provides a 112.5° unobstructed view with less glare
- Meets ABYC/USCG requirements for both sail and powerboat designation
- Low-voltage 12-14VDC
- Anodized aluminum heat sink for maximum heat dissipation
- LED lights are mounted in a heavy gauge polished stainless-steel joiner cover
- Water-resistant IP68 rating
- Takes a 1" #8 stainless steel fastener (not included)
- Comes with detailed installation instructions



Proper installation of Navigation Lights is very important. Please contact TACO Marine customer service before purchasing or installing.

PART NUMBER	DESCRIPTION	HEIGHT	WIDTH	DEPTH	AMPERES DRAW	UPC
F38-6602-1	Rub Rail Mounted Navigation Light Set Without Plug	1-3/4"	3-3/8"	5/8"	0.6 @12V	630897088937
F38-6602-2	Rub Rail Mounted Navigation Light Set With Plug	1-3/4"	3-3/8"	5/8"	0.6 @12V	630898088943



RUB RAIL MOUNT LED NAVIGATION LIGHTS

The compliance date for ABYC A-16, Installation of Electric Navigation Lights, and C-5, Construction and Testing of Electric Navigation Lights, went into effect on August 1, 2023. All TACO Marine Navigation, Masthead, and All-Around Lights meet the requirements set forth and are approved under the NMMA Type Accepted Agreement. Additionally, all TACO Marine Navigation Lights have always used LED Cree chip technology. Please see below for documented approval of the required testing:

C-5 Testing

All-Around (F38-9000 Root Part Number)

Component ID 2619819

<https://www.ect.nmma.org/00001205/component/application/2619819/details>

C-5 Compliant

Navigation Lights (Side Lights)

Component ID 2619788

<https://www.ect.nmma.org/00001205/component/application/2619788/details>



*Proper installation of Navigation Lights is very important.
Please contact TACO Marine customer service before purchasing or installing.*

PART NUMBER	DESCRIPTION	HEIGHT	WIDTH	DEPTH	AMPERES DRAW	UPC
F38-6602-1	Rub Rail Mounted Navigation Light Set Without Plug	1-3/4"	3-3/8"	5/8"	0.6 @12V	630897088937
F38-6602-2	Rub Rail Mounted Navigation Light Set With Plug	1-3/4"	3-3/8"	5/8"	0.6 @12V	630898088943