

**Fig. No. 0928 Series Regular Bevel with Box Strike**  
**Fig. No. 0930 Series Reverse Bevel with Flush Strike**  
**Fig. No. 1028 Series Reverse Bevel with Box Strike**  
**Fig. No. 1030 Series Regular Bevel with Flush Strike**

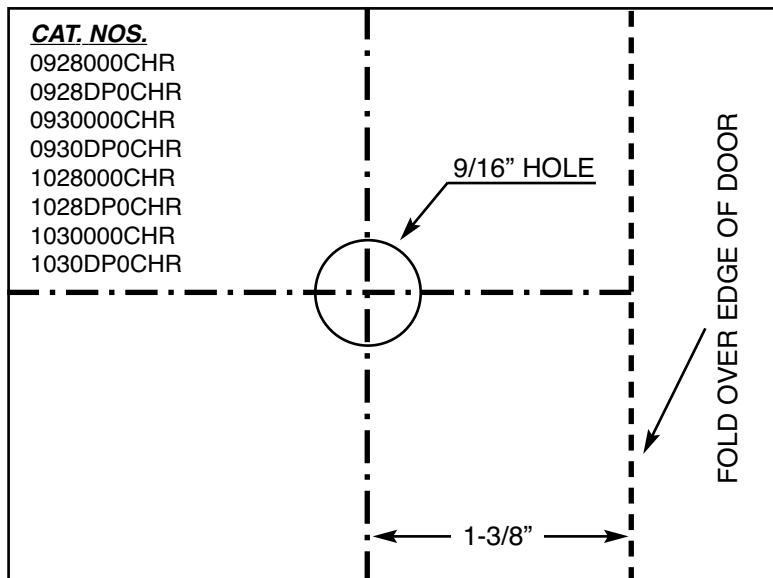
## MOUNTING INSTRUCTIONS

These Rim Latch Sets are designed to be mounted on the surface of doors 5/8 inch to 1-3/8 inches thick.

- 1). Cut out the template below. Fold on the dotted line. Place on door at desired height on the side to have the rim latch. Folded tab should overlap edge.
- 2). Mark center of circle for drilling.
- 3). Drill 9/16 inch hole through center.
- 4). Inset lever handle with shaft through the rim latch. Put shaft through the hole drilled in step #3 above, align and fasten rim latch to door with #6 screws (Not Supplied). Place escutcheon plate over the shaft on opposite side of door. Align and fasten with #6 screws (Not Supplied). Thread the knob on shaft and tighten set screw on knob.
- 5). Mount strike on door frame.

PERKO, Inc.  
16490 N.W. 13th Avenue  
Miami, FL 33169  
[www.perko.com](http://www.perko.com)

## MOUNTING TEMPLATE

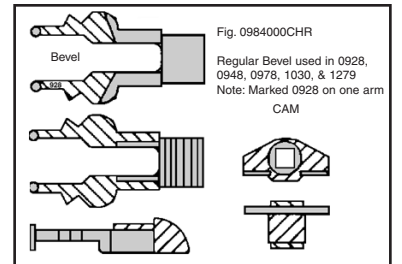
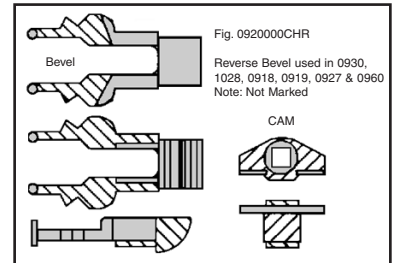
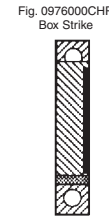
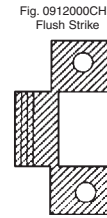
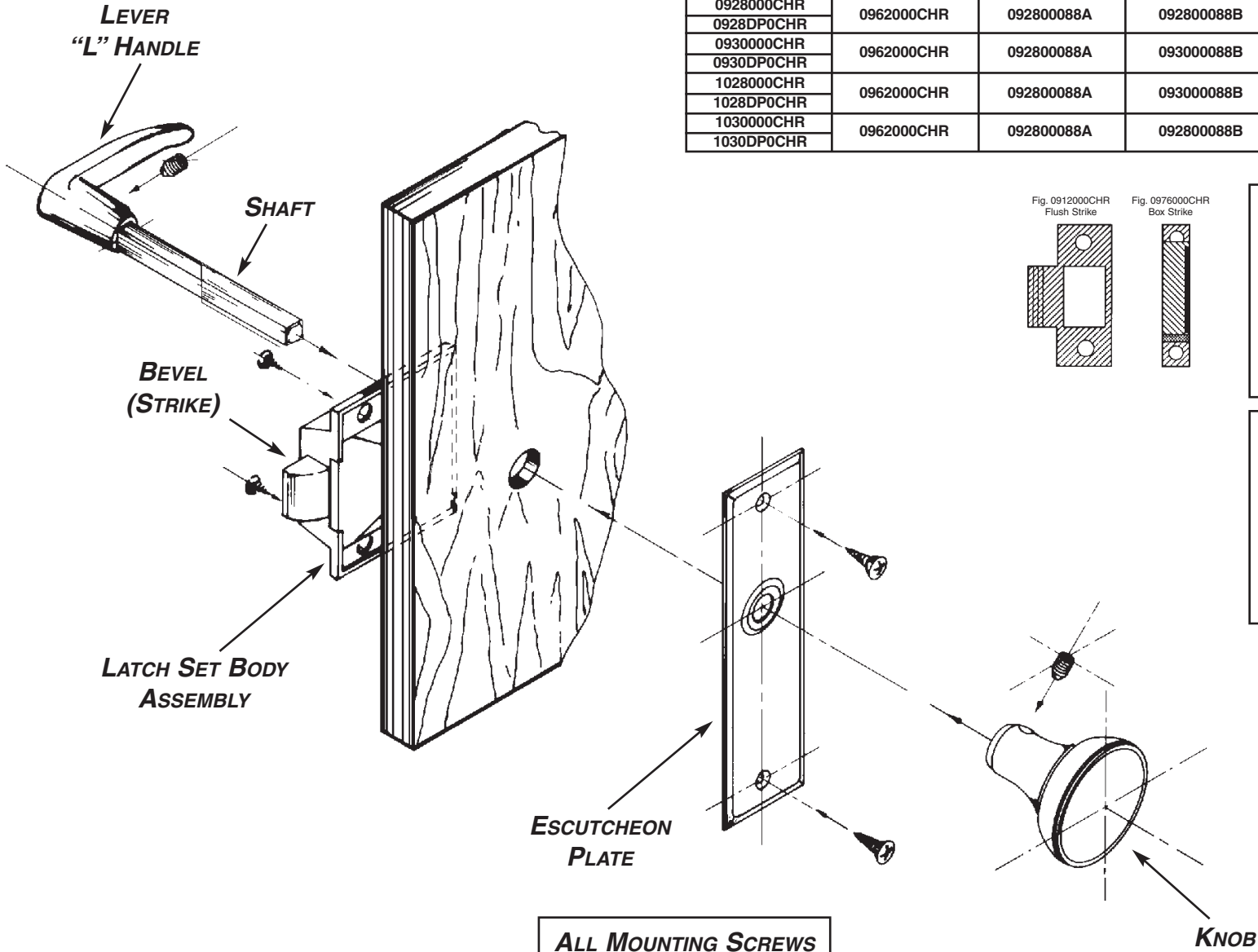


(SEE OVER)

**EXPLODED VIEW**  
**CAT. Nos. 0928, 0930, 1028 AND 1030 SERIES LATCH SETS**

**REPLACEMENT PARTS**

Complete Latch Set	Knob "L" Handle and Shaft Assy.	Escutcheon Plate Only	Latch Set Body Assy. Only	Bevel with Cam (Strike)	Strike Plate Only (Not Shown)
0928000CHR 0928DP0CHR	0962000CHR	092800088A	092800088B	0984000CHR	0976000CHR
0930000CHR 0930DP0CHR					
1028000CHR 1028DP0CHR	0962000CHR	092800088A	093000088B	0920000CHR	0976000CHR
1030000CHR 1030DP0CHR					



**ALL MOUNTING SCREWS  
 ARE #6 SIZE  
 (NOT SUPPLIED)**