

# attwood® Quasar 12-Volt 2-Mile Navigational Light

Without Wire Leads: 3100-3104, 3130-3134

With 7" Wire Leads: 3120-3124, 3150-3154

Attwood marine hardware, navigational lighting, bilge pumps, and other marine accessories are specified more than any other brand by America's best-known boat manufacturers as original equipment. Look to Attwood for quality replacement parts and marine accessories.

## SAVE THESE INSTRUCTIONS

Form Number 69385 Rev. B

03-10

Meets USCG CFR 183.810, ABYC A-16 requirements, and all applicable standards as tested by Imanna Labs, 7/8/1995. 2 Nautical Mile visibility. Uses 9230-7 Lamp, 13V, 8 Watt.

## FEATURES

The new Attwood 12-volt DC Quasar two-mile navigational sidelights are designed for mounting on horizontal surfaces, such as the gunwale or deck. They meet the ABYC Standard A-16, COLREG 72, and other selected international standards.

## REQUIRED FOR INSTALLATION

The stylish housing is supplied in UV-stable, color-matched polycarbonate or chromed HIPP (High Impact Electroplated Plastic). The lens completely encapsulates the bulb and socket assembly for splash resistance. When used with the optional base gasket, these lights are virtually waterproof.

- Screwdriver.
- Drill with suitable bits — 1-1/8" (29mm).
- Base gasket (Attwood # 910467) or marine sealant.
- Three #8 or #10 stainless steel pan head screws.

## LOCATION

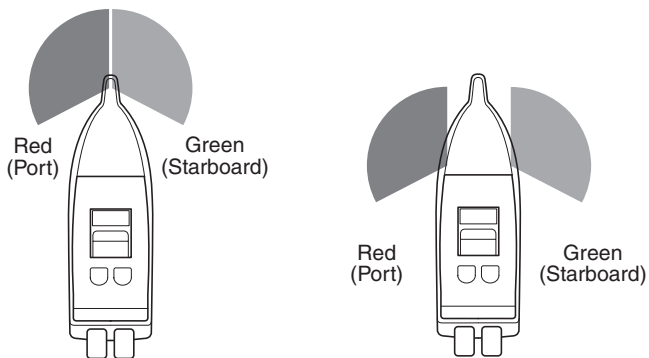
1. Position light(s) on a horizontal surface ( $\pm 5^\circ$ ) of the gunwale or deck. If installing a combination light, place it on the furthestmost tip of the bow on the centerline of the boat. (See Figure 1a.)

If installing sidelights, the red lens must be on the port (left) and the green on the starboard (right) as you stand onboard facing the bow of the boat. (See Figure 1b.)

Figure 1a

Figure 1b

112.5° Arc Must Be Clear

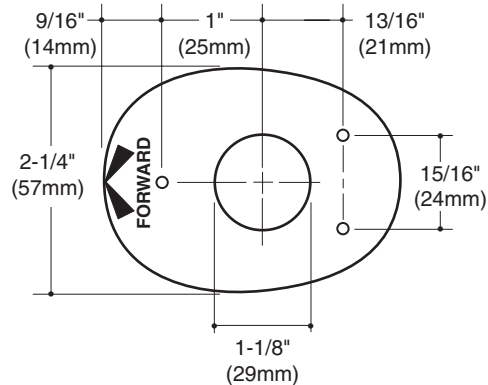


2. Ensure that there are no front or side obstructions, such as rail stanchions, chocks, anchors, etc., within the arc of visibility ( $112.5^\circ$  each side).

3. Measure and mark location of terminal clearance hole. Be certain that centerline of hole is aligned with boat centerline. Drill a 1-1/8" (29mm)-dia. hole. (See Figure 2.)

Figure 2

(Applies to Quasar Light, not Snap Base)



## MOUNTING INSTRUCTIONS

1. To access mounting holes inside the base: Loosen retaining screw one full turn; lift rear of cover, use flat base screwdriver if necessary to raise rear, rotate cover up and forward to unlock; twist lens counterclockwise and remove.
2. Place base into hole and align front and back with the boat centerline. Use base to mark pilot holes for the mounting screws. Drill pilot holes.
3. Feed the power source terminals up through the deck and attach to base terminals. Insulated terminals are recommended.

## CAUTION

Position carefully on aluminum boats so that wires do not contact the hull.

4. Apply gasket (Attwood # 910467) or sealant to deck mounting area. Gasket is highly recommended on aluminum surfaces. Place base over the drilled holes.
5. Insert three stainless steel pan head mounting screws through base and fasten into deck. Replace lens, push cover down over front of lens lock - rotate back and down. Snap cover down into position and tighten the retaining screw. (See Figure 3.)

Figure 3

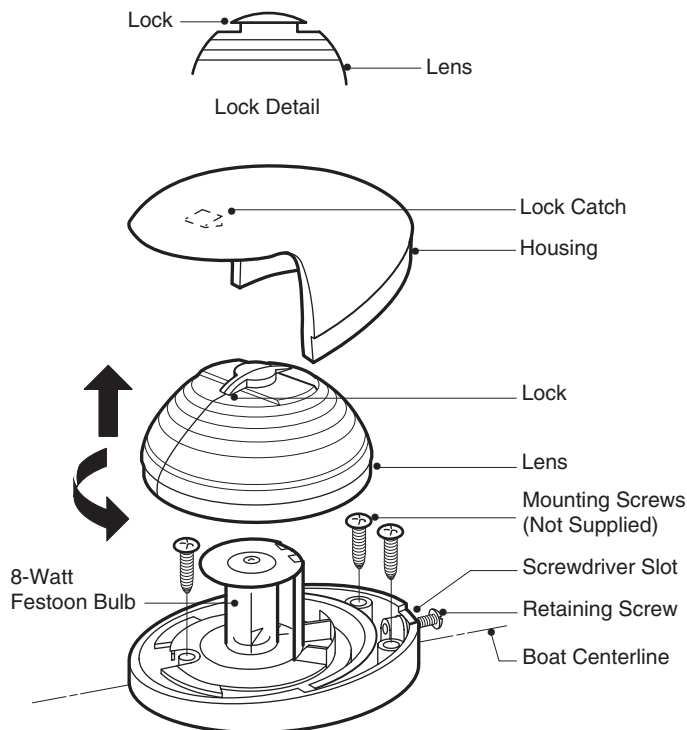
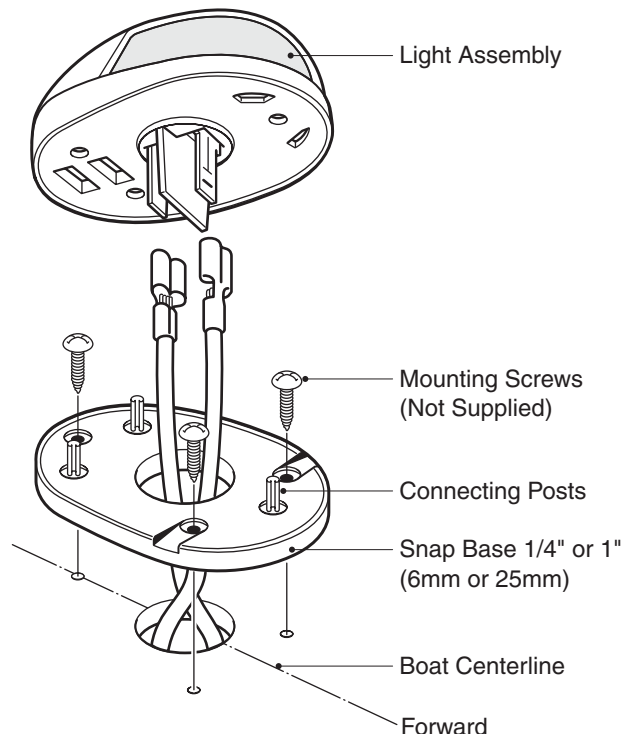


Figure 3a  
(Optional Mount with Snap Base)



(For ease of installation without disassembly of light.)

Product	Part Number
1/4" Snap Base	3300 (Black)
	3301 (White)
	3302 (Gray)
	3304 (Cream)
1" Snap Base	3310 (Black)
	3311 (White)
	3312 (Gray)
	3314 (Cream)
Gasket (Installs between Light Assy and Snap Base)	912010

### SAVE THESE INSTRUCTIONS

**ATTWOOD LIMITED WARRANTY** Attwood Corporation, 1016 North Monroe, Lowell, Michigan 49331 ("Attwood") warrants to the original consumer purchaser that Attwood brand products will be free from defects in materials and workmanship under normal use and service for one year from the date of original consumer purchases.

This limited warranty is not applicable if the product has been damaged by accident, improper installation, unreasonable or improper use, lack of proper maintenance, unauthorized repairs or modifications, normal wear and tear, or other causes not arising out of defects in materials or workmanship.

Attwood products are warranted for use on pleasure boats. Any other use—including but not limited to commercial, racing, or non-marine use—are not covered under this warranty. Attwood's obligation under this warranty is limited to repair of the product at Attwood's plant or replacement of the products at Attwood's option without expense to the original consumer purchaser. Any expenses involved in the removal, reinstallation or transportation of the product are not covered by this warranty.

The product must be returned to Attwood's plant at the address above, postage pre-paid, and insured with proof of original purchase including date. If Attwood is unable to replace the product and repair is not commercially practical or cannot be timely made, or if the original consumer purchaser is willing to accept a refund in lieu of repair or replacement, Attwood may refund the purchase price, less an amount for depreciation. The acceptance

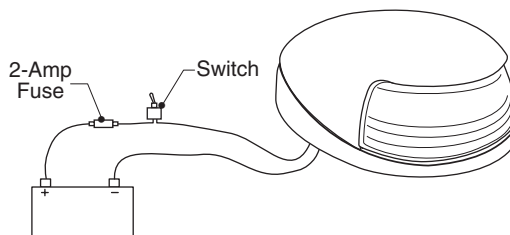
### WIRING INSTRUCTIONS

The power source must be 12-volt DC ONLY. Use marine grade wire connectors only. Protect all connections with suitable materials.

**NOTE:** Failure to make proper connections and fuse the light properly will void the product warranty.

1. Connect one terminal to the negative (-) post of the 12-volt battery. Connect the other terminal to the positive (+) lead through a 2-amp fuse and suitable dash-mounted switch. (See Figure 4.)

Figure 4



2. Test lights for proper operation from dash-mounted control switch.

### MAINTENANCE

Replace bulb, when necessary, with standard 8-watt automotive festoon type (Attwood #9230-7).

by Attwood of any product returned or any refund provided by Attwood shall not be deemed an admission that the product is defective or in violation of any warranty. Products that are replaced or for which a refund is issued become the property of Attwood.

THIS WARRANTY IS ATTWOOD'S ONLY EXPRESSED WARRANTY OF THESE PRODUCTS. NO IMPLIED WARRANTY INCLUDING, WITHOUT LIMITATION, THE IMPLIED WARRANTIES OF MERCHANTABILITY AND FITNESS FOR A PARTICULAR PURPOSE, SHALL BE EXTENDED BEYOND THE WARRANTY PERIOD STATED ABOVE FOR EACH PRODUCT. ATTWOOD SHALL NOT BE LIABLE FOR ANY DAMAGES, FOR LOSS OF USE OF THIS PRODUCT, NOR FOR ANY OTHER INCIDENTAL OR CONSEQUENTIAL DAMAGES, COSTS, OR EXPENSES.

Some states do not allow limitations on how long an implied warranty lasts or the exclusion or limitation of incidental or consequential damages, so the above limitations and exclusions may not apply to you. This warranty gives you specific legal rights, and you may have other rights which vary from state to state.