

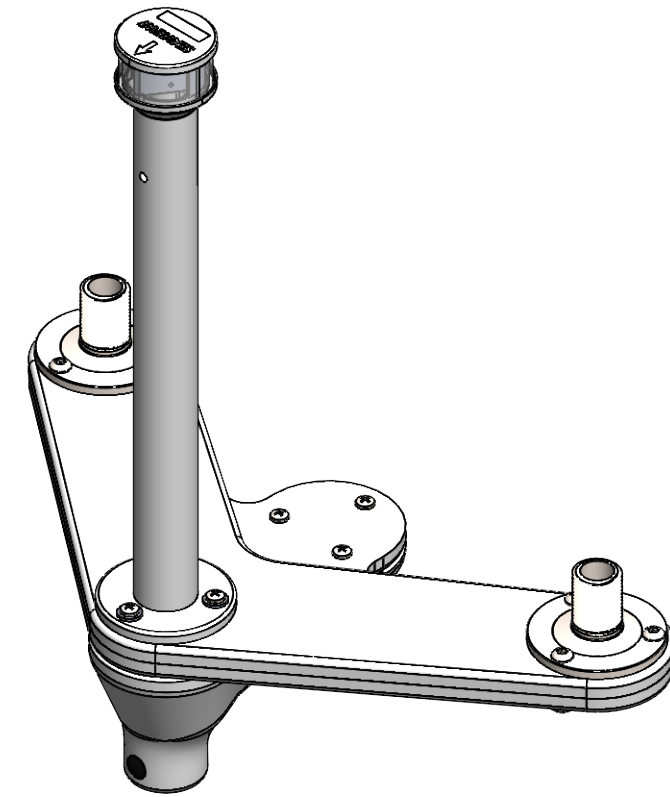
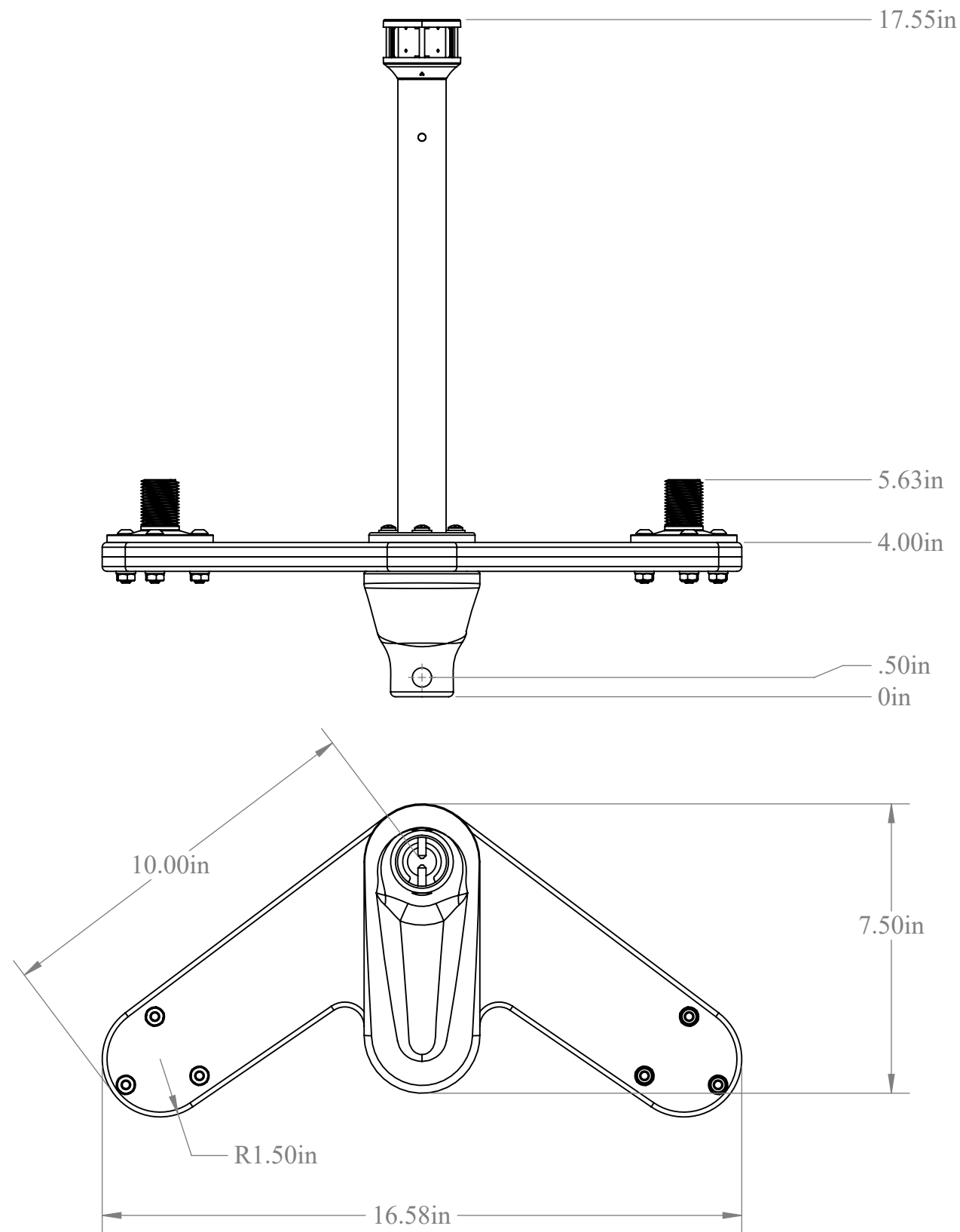
ITEM NO.	DESCRIPTION	QTY.
1	PMU2A LOWER HALF	1
2	PMU2A UPPER HALF	1
3	LTBU1AP	1
4	SS ANTENNA BASE	2
5	SVLTP12P	1
6	LTBLED12	1
7	NYLON WASHER FOR #10 SCREW	3
8	#10 X 1.5" LONG PANHEAD SCREW	3
9	#10 X 0.75" LONG PANHEAD SCREW	3
10	1/4"-20 X 1.25" BHCS	6
11	SS WASHER FOR 1/4" BOLTS	6
12	1/4"-20 NYLOCK NUT	6
13	LTBRVT2	2

PMU2ALED12

Notes:

1. Please note that some dimensions may not be shown (applies to all pages)
2. Do not scale drawing (applies to all pages)
3. Some views may be cropped to improve clarity.

For help e-mail
info@seaviewglobal.com
 ph. 1-800-655-7922



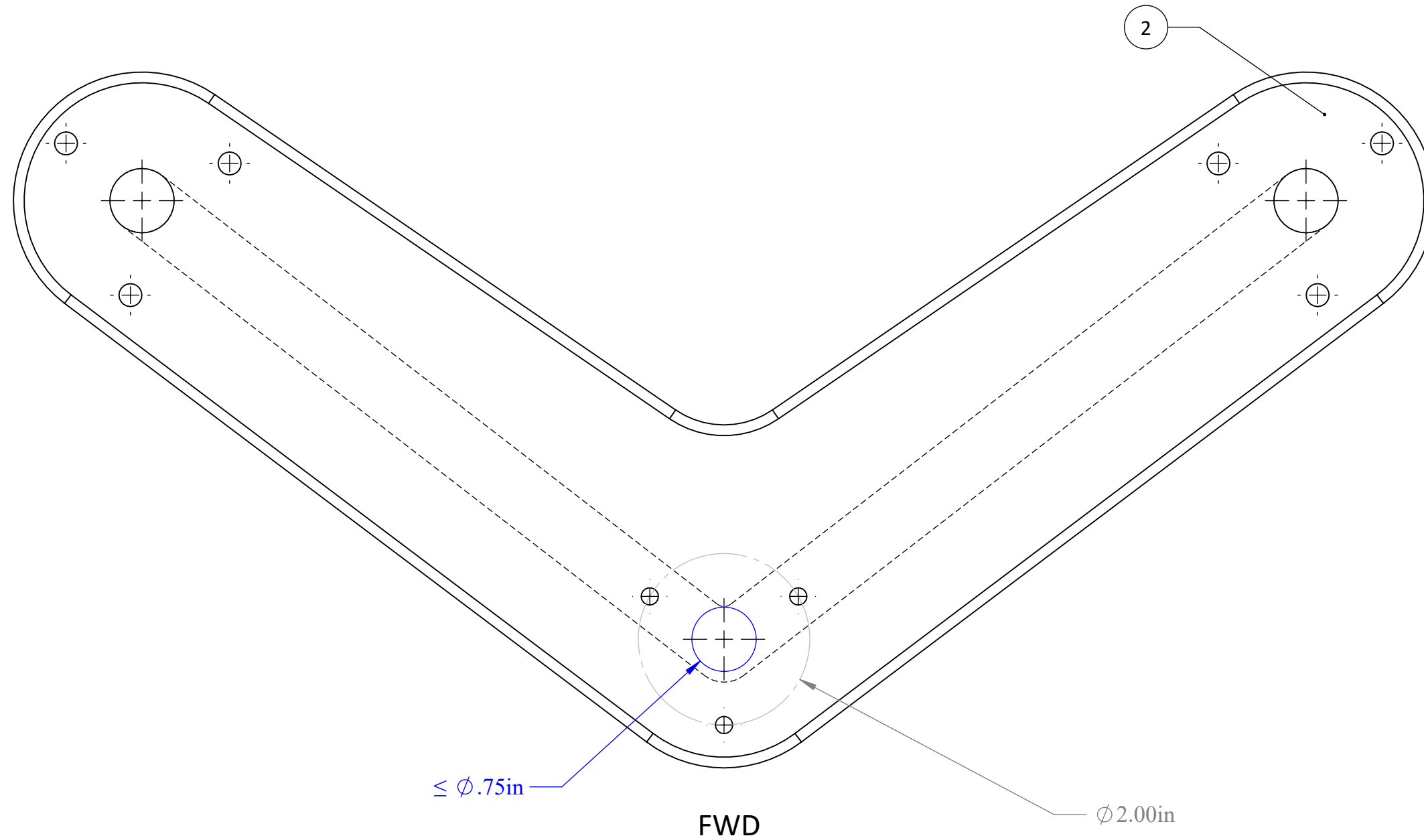
PMU2ALED12

For help e-mail
info@seaviewglobal.com
ph. 1-800-655-7922

INSTALLATION INSTRUCTIONS BEGIN ON NEXT PAGE

For help e-mail
info@seaviewglobal.com
ph. 1-800-655-7922

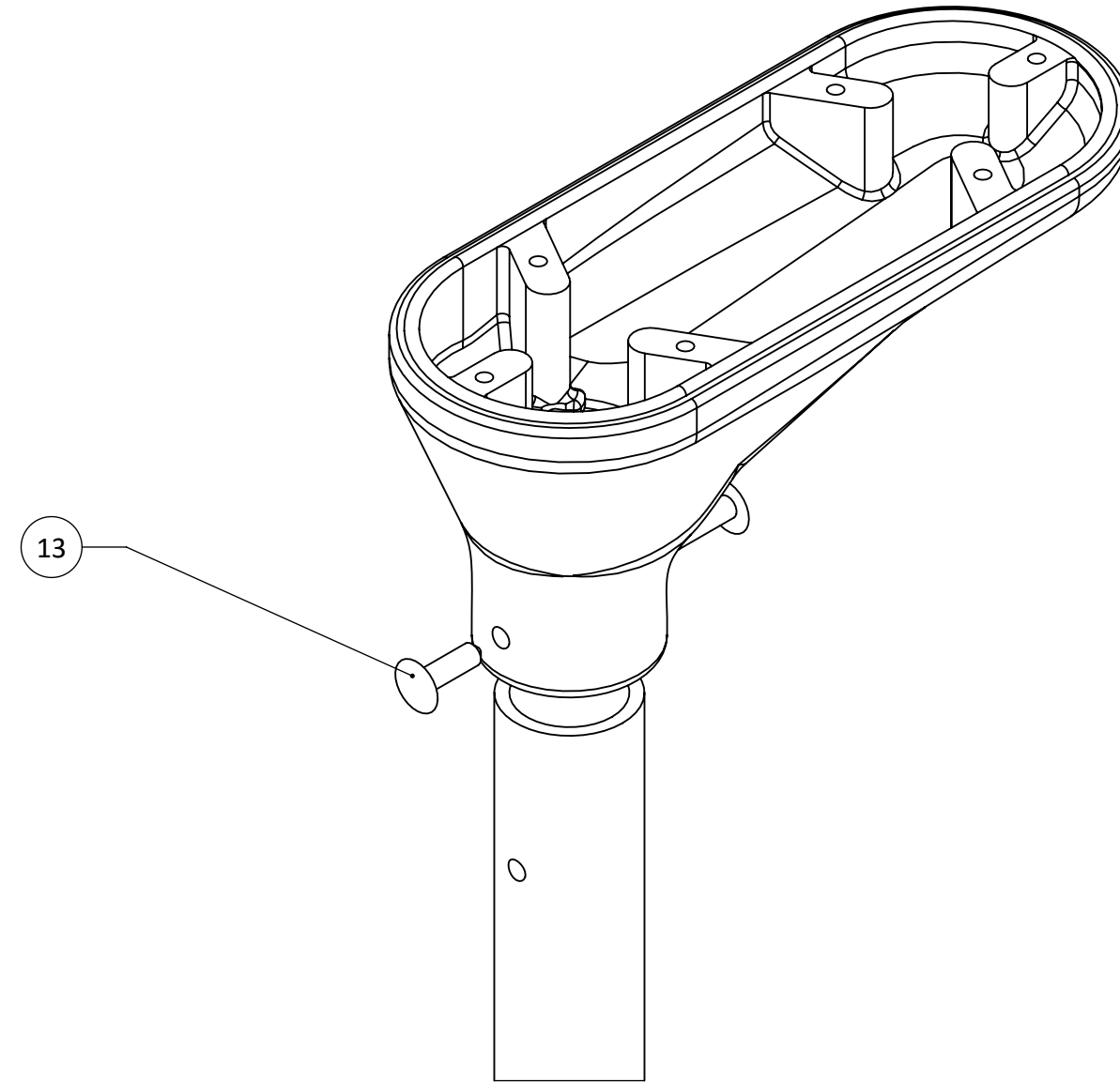
1 Using the upper half (item 2 from the BOM on page 1), drill a hole in the center of the lower triangular hole pattern as shown below. Ensure the hole is $\leq \phi 0.75$ " or less.



For help e-mail
info@seaviewglobal.com
ph. 1-800-655-7922

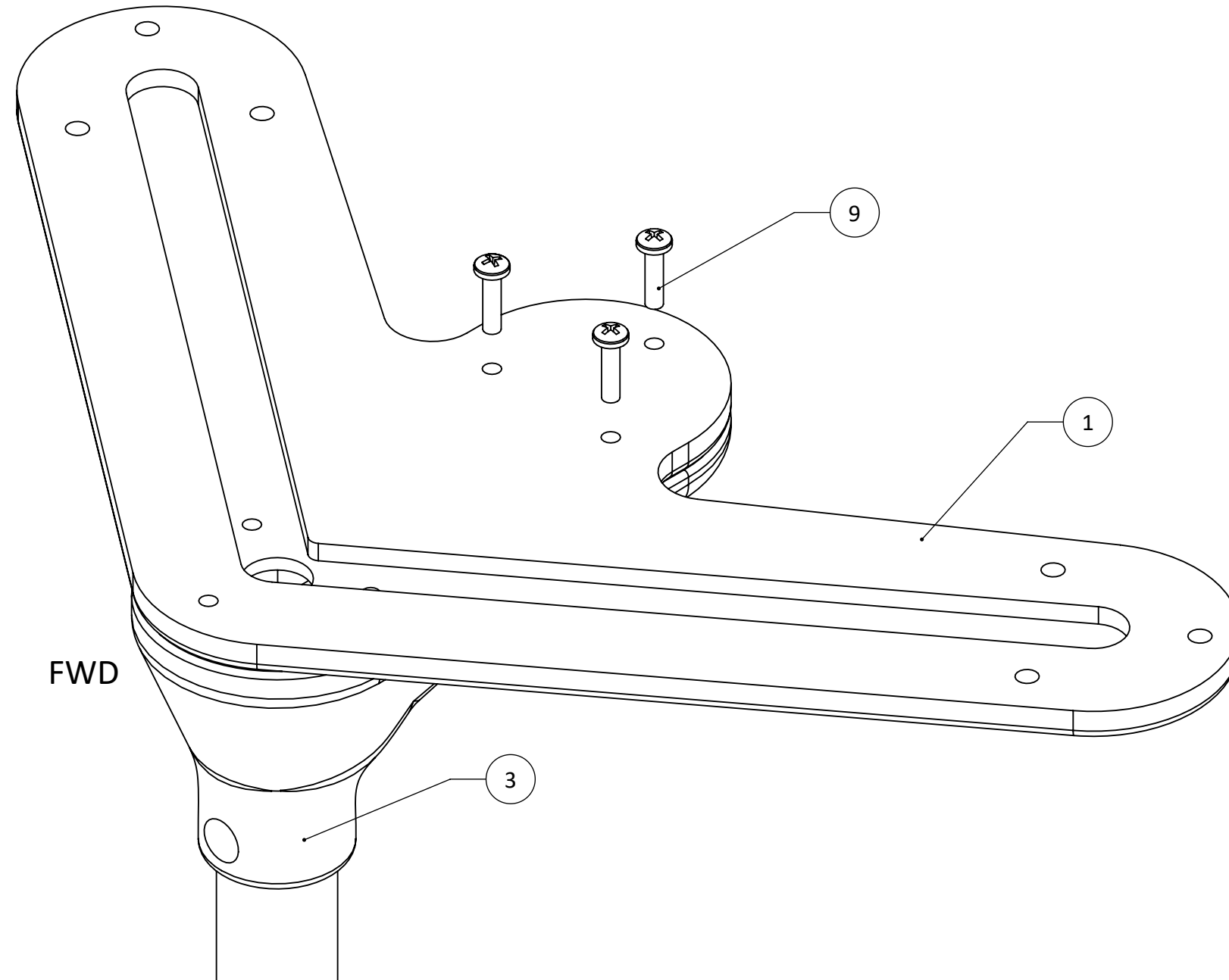
2 By following steps A7-A9 on page 4 [here](#), install the LTBU1AP top cap onto existing light bar as shown below.

SEAVIEW



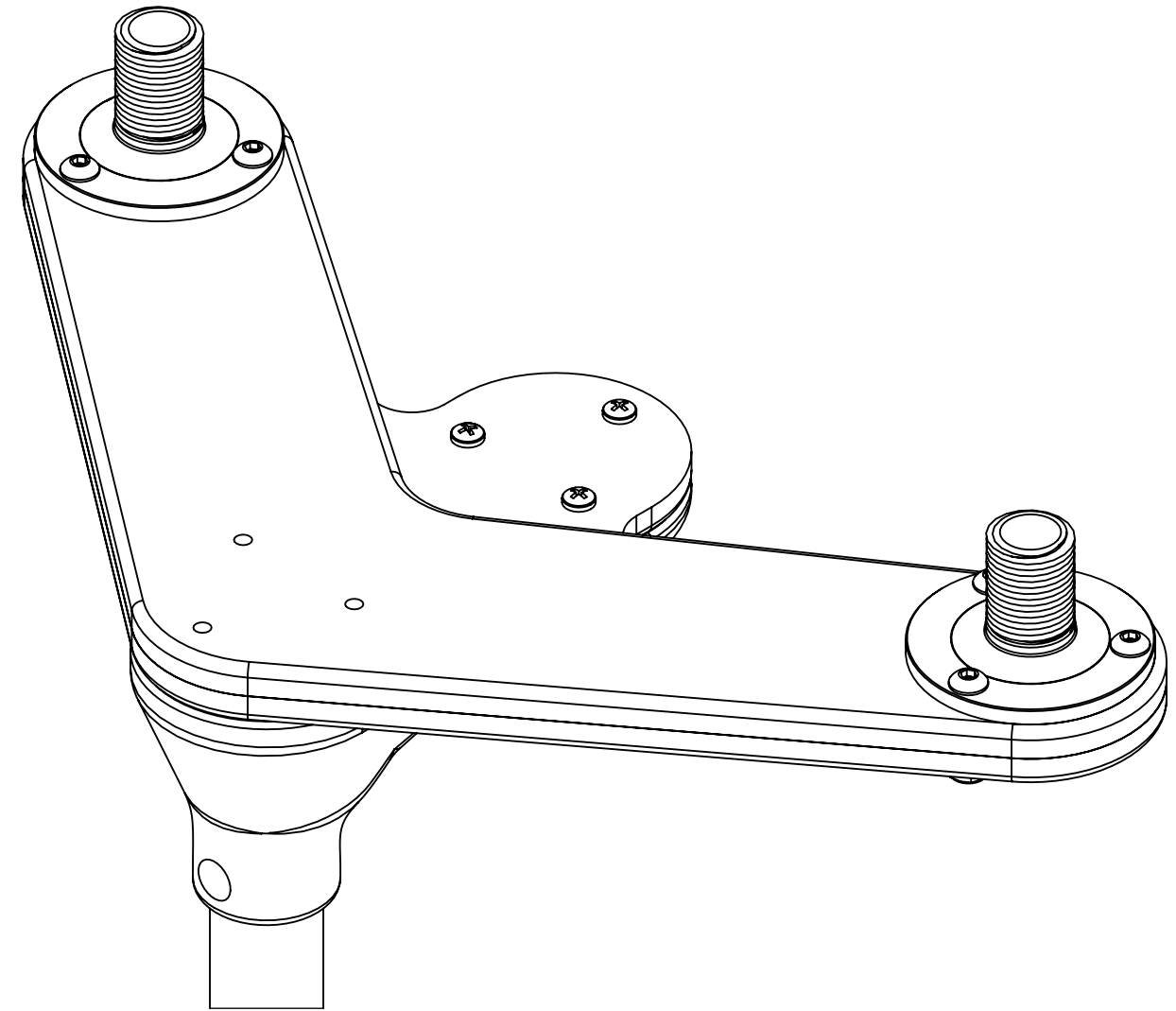
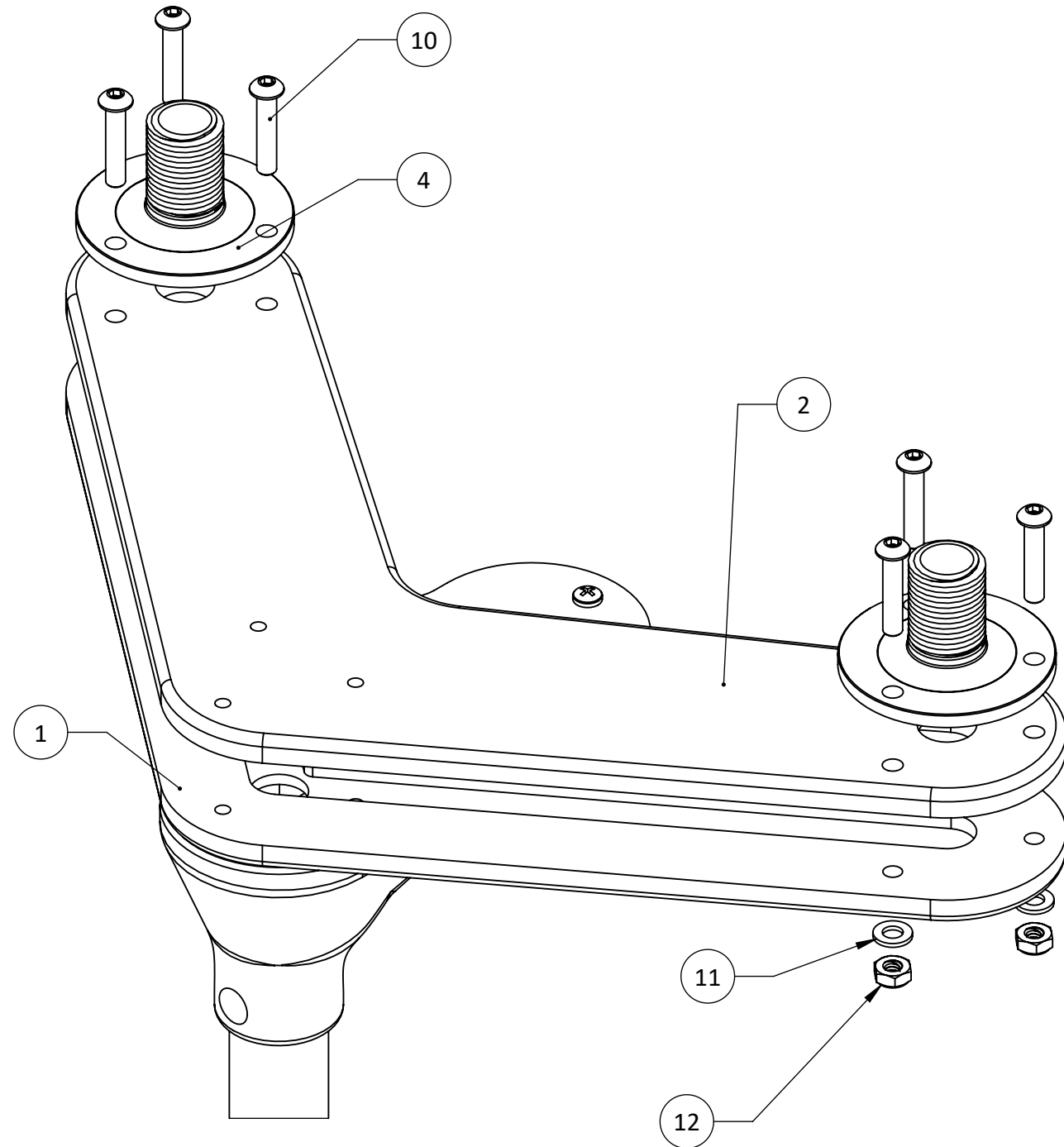
For help e-mail
info@seaviewglobal.com
ph. 1-800-655-7922

3 Install the bottom half (item **1**) using the three screws (item **9**) as shown below. It is recommended to add sealant between item **1** and **3**.



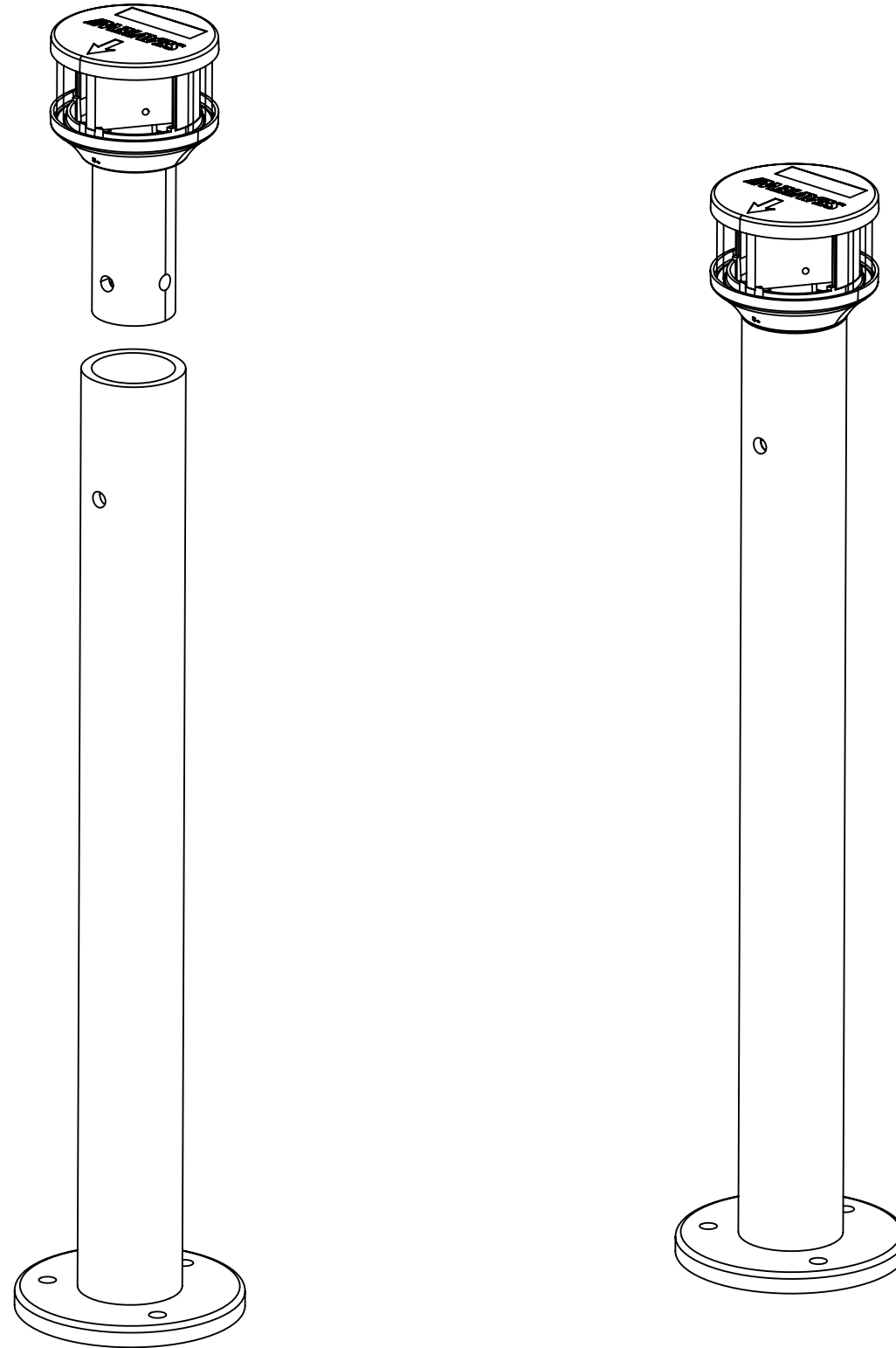
For help e-mail
info@seaviewglobal.com
ph. 1-800-655-7922

4 Install the two provided antenna bases + the PMU2A upper half using items 10 - 12 from the BOM on page 1. It is recommended that marine sealant is used between items 1 & 2 and between items 2 & 4.



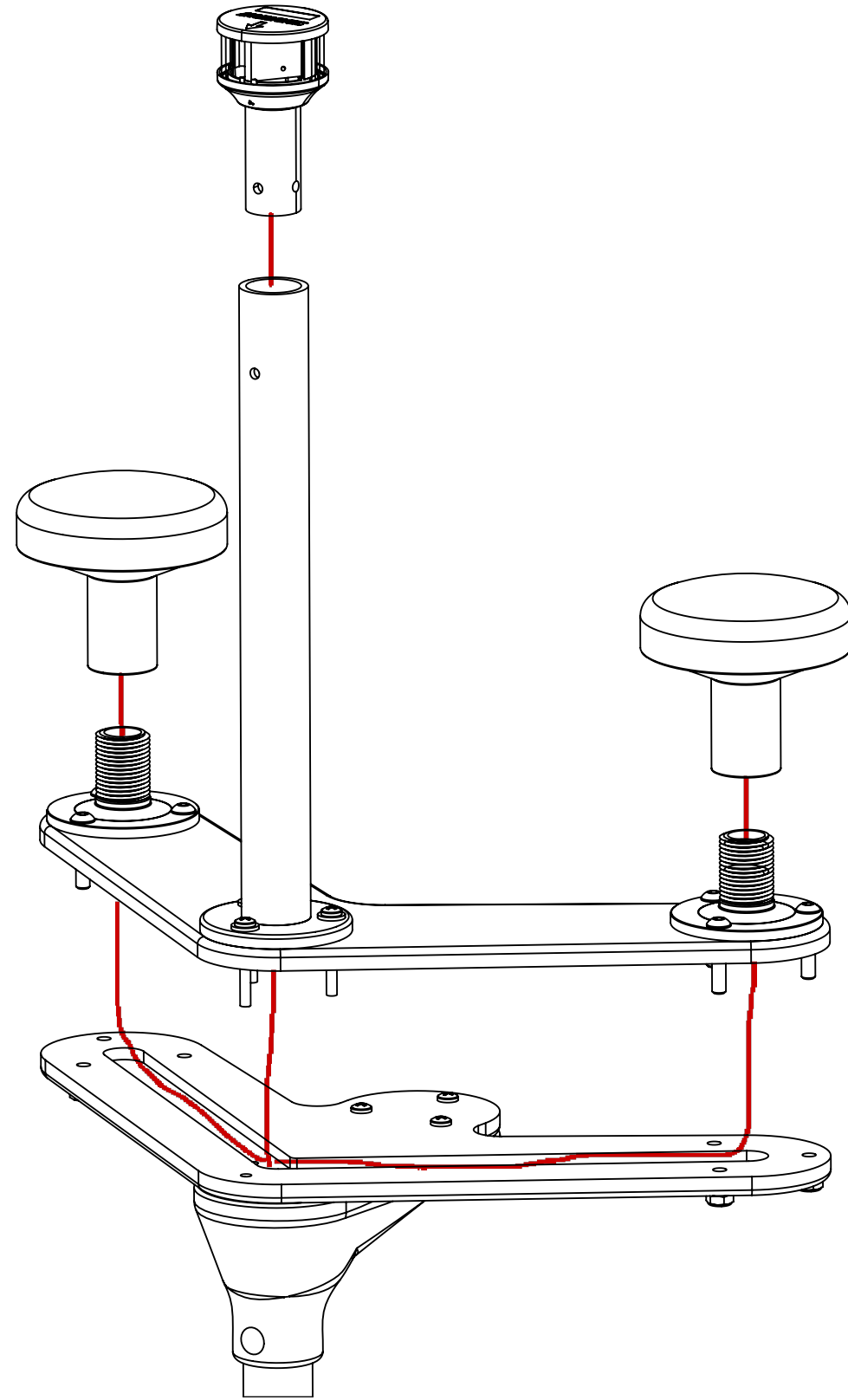
For help e-mail
info@seaviewglobal.com
ph. 1-800-655-7922

5 Install the LTBLED12 into the fixed light post following steps 1-3 [here](#).



For help e-mail
info@seaviewglobal.com
ph. 1-800-655-7922

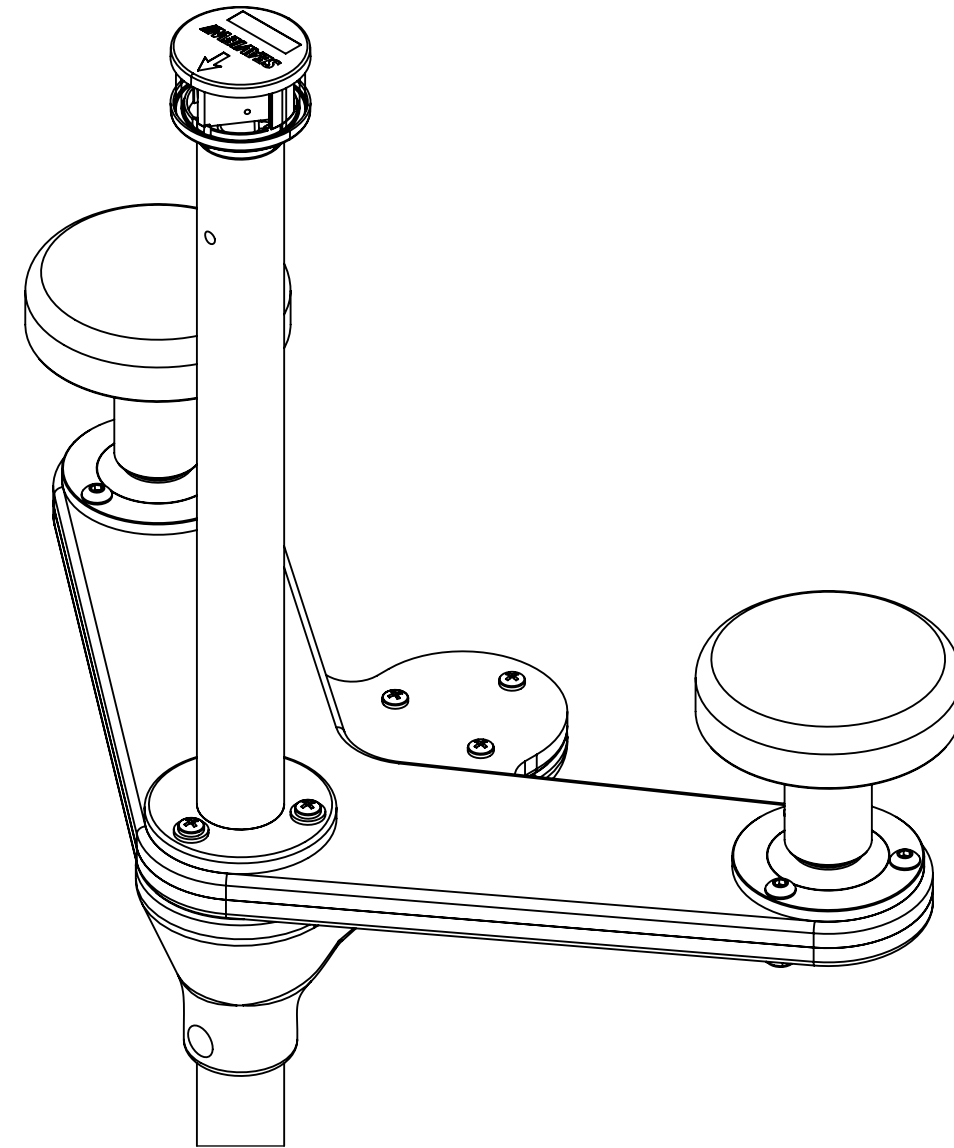
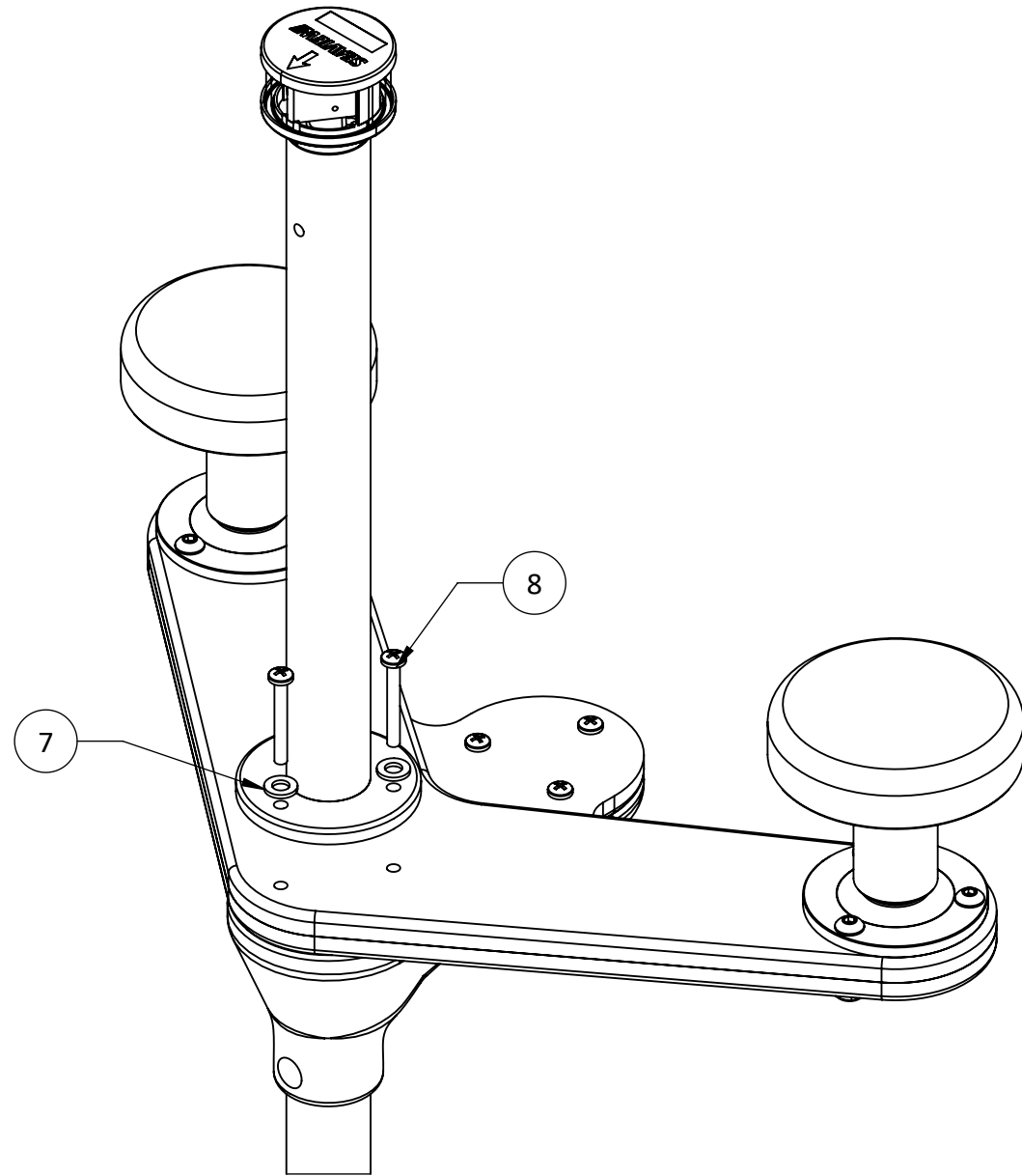
6 Below is an example of what wire routing would look like with two GPSs and the included light post.



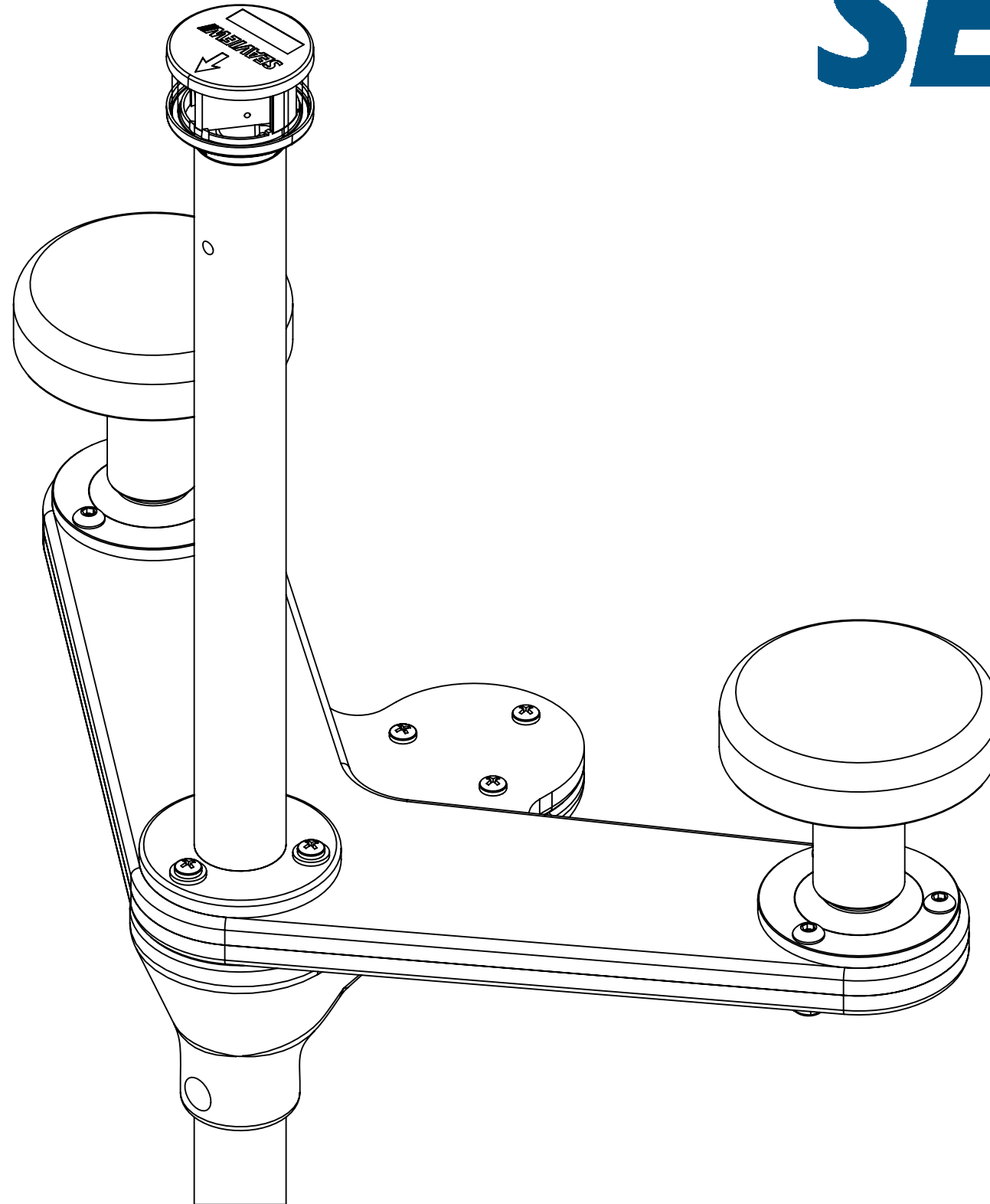
For help e-mail
info@seaviewglobal.com
ph. 1-800-655-7922

7 Route all wires through the PMU2A upper and lower halves. Continue feeding wire all the way through the bottom of the LTBU1AP cap and out the end of the existing light bar. The PMU2A upper and lower halves contain wire channels to help with this process.

Once wires are routed through the assembly, secure the light post and LTBLED12 using items **7** & **8**.



For help e-mail
info@seaviewglobal.com
ph. 1-800-655-7922



For help e-mail
info@seaviewglobal.com
ph. 1-800-655-7922