

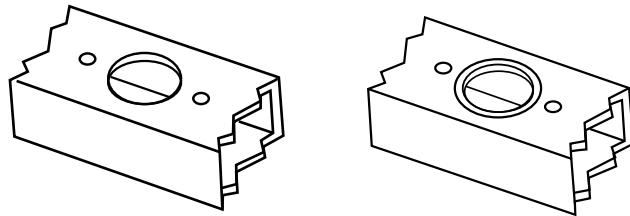


18-1989 Stainless Steel Thermostat Housing Installation Instructions

The 18-1989 thermostat housing is supplied with 2 thermoplastic thermostat spacers (1 white, 1 blue).

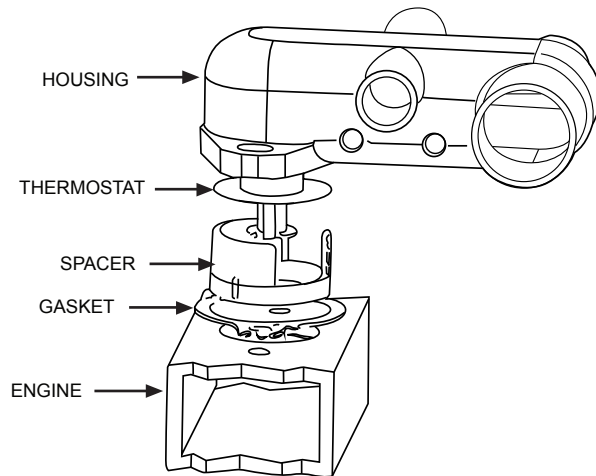
To determine which spacer to use, examine the housing mounting surface on the engine. If the surface is flat - no counter bore for thermostat location, the blue spacer is used. If there is a counter bore, use the white spacer.

Assemble as per illustration.



Without counter bore-
use BLUE spacer.

With counter bore-
use WHITE spacer.



Assembly Illustration.

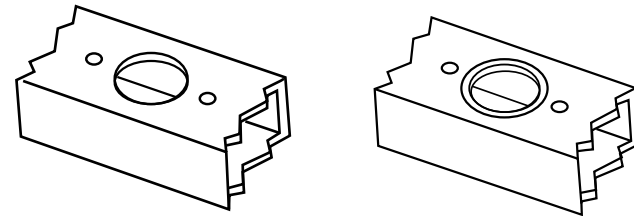


18-1989 Stainless Steel Thermostat Housing Installation Instructions

The 18-1989 thermostat housing is supplied with 2 thermoplastic thermostat spacers (1 white, 1 blue).

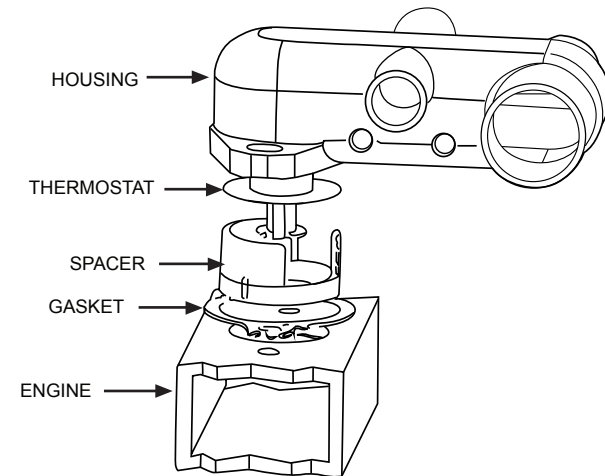
To determine which spacer to use, examine the housing mounting surface on the engine. If the surface is flat - no counter bore for thermostat location, the blue spacer is used. If there is a counter bore, use the white spacer.

Assemble as per illustration.



Without counter bore-
use BLUE spacer.

With counter bore-
use WHITE spacer.



Assembly Illustration.