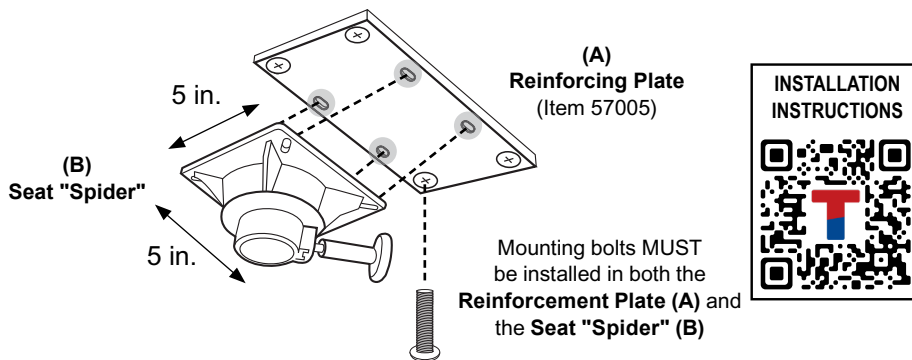


**TEMPRESS**

# WARNING!

## MUST READ BEFORE INSTALLING SEAT

This seat requires a **Reinforcing Plate (A)** if using a **Swivel Mount (B)** also known as a Seat "Spider". Ensure the Reinforcement Plate is sandwiched between the seat and the Swivel Mount and utilize all 8 of the imbedded T-nuts for attachment. Installation without using all 8 mounting holes will void your warranty and could result in personal injury, and you will waive all legal claims against TEMPRESS Products, LP.



TEMPRESS Reinforcement Plate #57005 is sold separately.

Seat Spider (B) is sold separately and is not a TEMPRESS product.

Please visit [www.tempress.com](http://www.tempress.com) or call 1-877-234-7466 for assistance.

**MADE IN USA**