



MG Secure Entry Door Lock

- Offered in all corrosion-resistant materials, including Polyamide, Stainless Steel, and Brass
- Outside keylocking with interior sliding privacy lock
- Supplied with striker and two keys

Material and Finish:

Finish: White or black polyamide case

Accessories:

Locking: Optional black day key available.

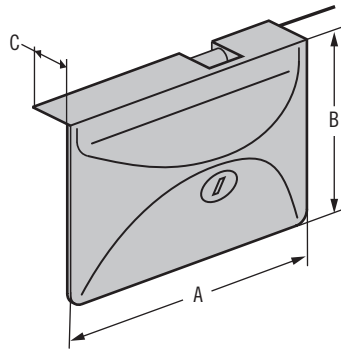
Spacer: Optional spacer available to accept a 10mm (3/8") door thickness.

Striker: Numerous strikers available in clear or black anodized aluminum or stainless steel.

For spare keys please contact Southco

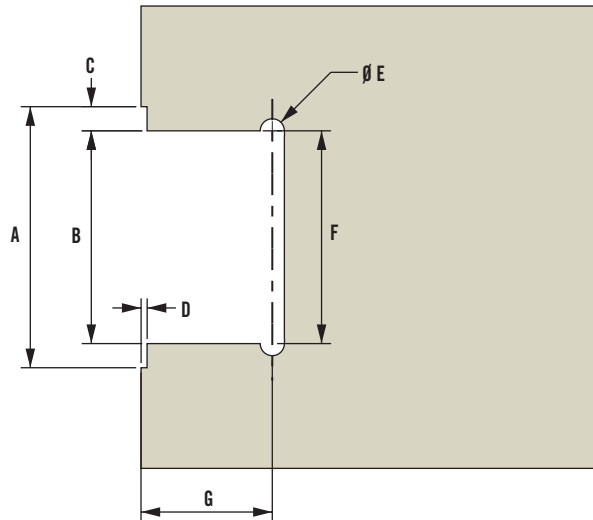
Notes

For additional striker options and accessories please see page 537



	Imperial		Metric
	Nominal	Decimal	
A	3 27/64	3.43	87
B	2 11/64	2.17	55
C	15/32	.47	12

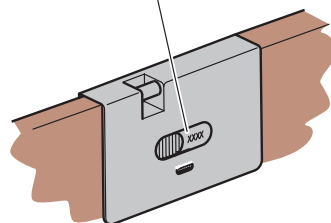
Panel Preparations



	Imperial		Metric
	Nominal	Decimal	
A	3 13/32	3.41	86.5
B	2 25/32	2.78	70.5
C	15/16	.32	8
D	5/64	.08	2
E	5/16	.31	8
F	2 27/32	2.84	72
G	1 23/32	1.71	43.5

How to determine your key combination

Key # for ordering sparekey starting with 8__ or 9__



Secure Part Numbers

	Black	White
With P-striker and two keys	MG-01-110-50	MG-01-110-70

Other options available. For complete details on variety, part numbers, installation and specification, go to



www.southco.com/MG

Dimensions in millimeters (inch) unless otherwise stated

southco
CONNECT · CREATE · INNOVATE